





TECHNICAL FEATURES

- Pump body: cast iron G20 with anti-corrosive coating
- Motor bracket: cast iron G20 with anti-corrosive coating
- in/outlet: ANSI 125
- Impeller: cast iron G20 with cataphoretic treatment
- Welding counter flanges: galvanized steel complete with EPDM gaskets
- Pump shaft: stainless steel AISI 304
- Mechanical seal: carbon-ceramics
- Welding Flanges Included

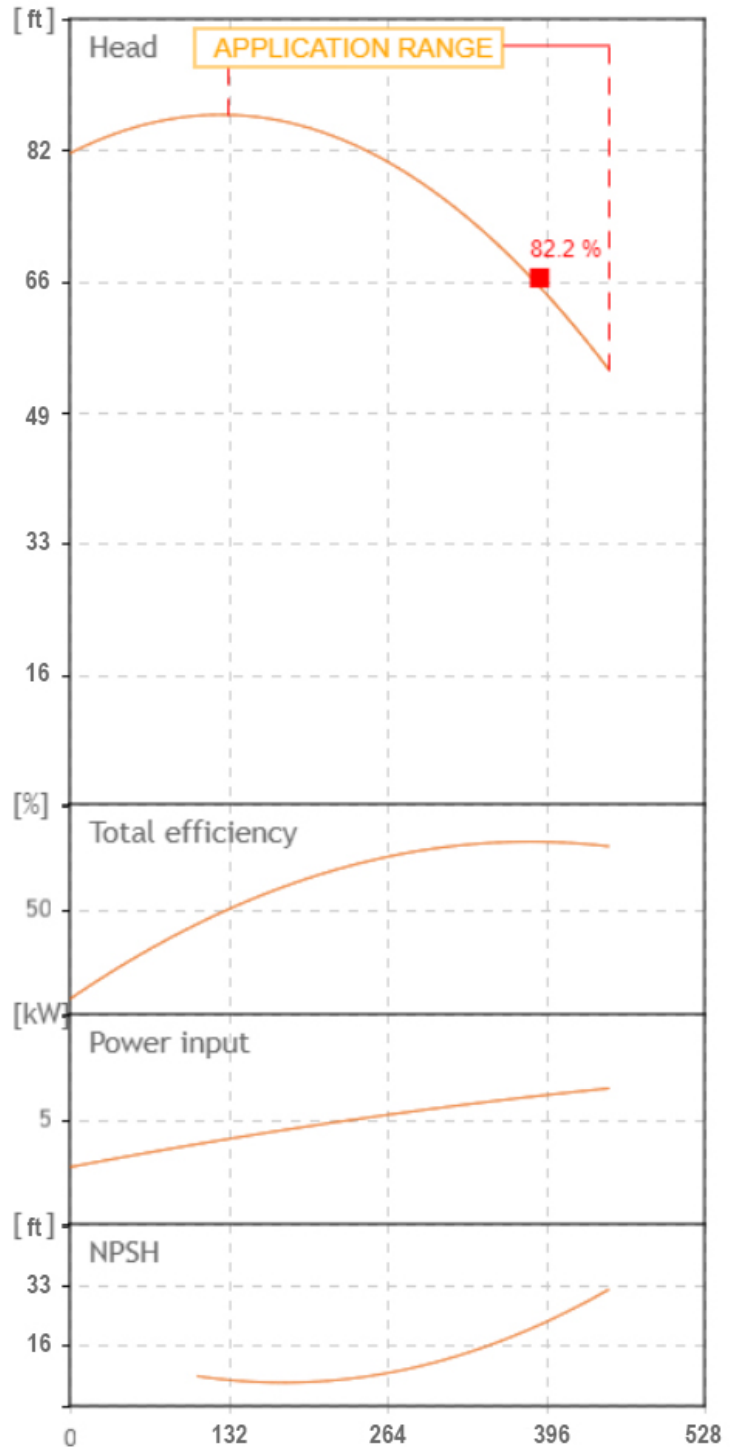
MOTOR

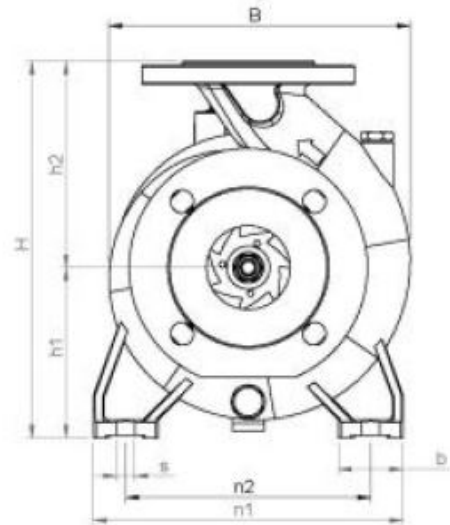
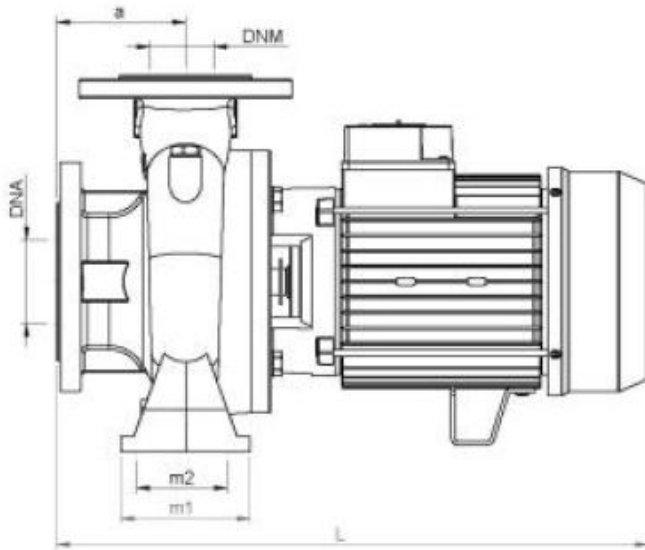
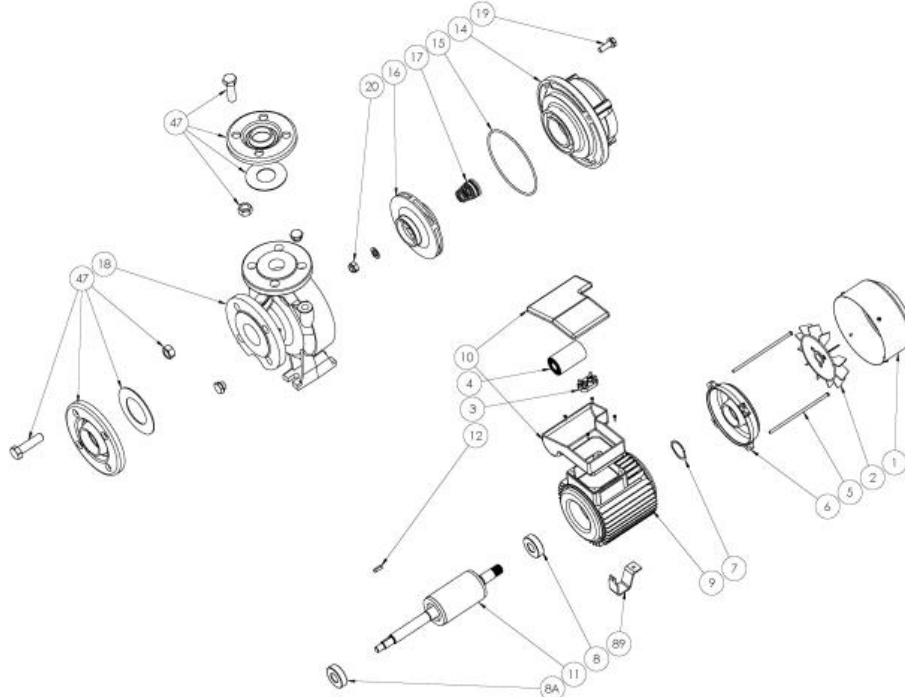
The control motors are asynchronous, squirrel cage-type, closed, with external ventilation

- The motor protection for three-phase models must be installed by the customer. Equipment compliant with current standards should be used
- Class of insulation: F
- Service: S1
- Degree of protection: Three Phase 55
- Terminal board protection IP 54

		SEA LAND S.r.l. (PD) ITALY www.sea-land.it				MADE IN ITALY	
Type CN 65-125 A							
H	16.5 - 26.2	m	Q	1700 - 500	l/1'		
Hmin	16.5	m	Hmax	25.2	m	P1	8500 W
Ø	10	HP	7,5	kW	26 - 15	Ø	A
3~	220 / 460	V	60	Hz	η	%	
μF	V	IP	55	3500 Rpm			
S/N	Ins.Cl F		▽	m			
T. MAX FLUID.	35 °C	81.5	kg				
Servizio continuo				Continuous duty			

Tolerance of curves to ISO 9906





TIPO TYPE	DIMENSIONI [mm] DIMENSIONS [mm]															IMBALLO [mm] PACKING [mm]			PESO WEIGHT	
	A	B1	S	L	B	H	n1	n2	m1	m2	H1	H2	K asp	K man	B asp	B man	Ai	Pi	Li	[kg]
CN 65-125 A	100	65	14	557	283	340	280	212	125	95	160	180	160	145	22	19	450	650	370	81.5

TIPO TYPE	DIMENSIONI [mm] DIMENSIONS [mm]			
	n° asp	n° man	DNA (inch)	DNM (inch)
CN 65-125 A	4	4	80 (3")	65 (2.5")

From
Company: Gol pumps
Reference:
Address: 6520 Nw 77ct



Phone: 786-613-5872
Email: info@golpumps.com

Sea-land reserves the right to make changes without prior notice
Page 2 / 2