

JETSS

SELF-PRIMING CENTRIFUGAL PUMPS



Self-priming centrifugal pump with excellent suction capacity even when there are air bubbles. Particularly suitable for water supply in domestic installations, small-scale agriculture, gardening and wherever self-priming operation is necessary.

JETSS: stainless steel pump body.

Motor support in cast iron, technopolymer impeller, diffuser, Venturi tube and sand guard. Stainless steel adjustment rings.

Carbon/ceramic mechanical seal. Asynchronous motor closed and cooled by external ventilation.

Built-in thermal and current overload protection and a capacitor permanently on in the single-phase version. For the protection of the three-phase motor it is advisable to use a suitable overload protection complying with the regulations in force.

Operating range two-poles from 1.8 to 46.2 GPM with head up to 203 ft

Liquid temperature range

from 32°F to +95°F for domestic use
from 32°F to +104°F for other use

Pumped liquid characteristics clean, free

from solids or abrasive substances, non-viscous, non-aggressive, non-crystallised and chemically neutral

Maximum ambient temperature +104°F

Maximum working pressure 116 psi

Protection level

IP 44 (IP 55 terminal board protection)

Insulation class F

TECHNICAL DATA

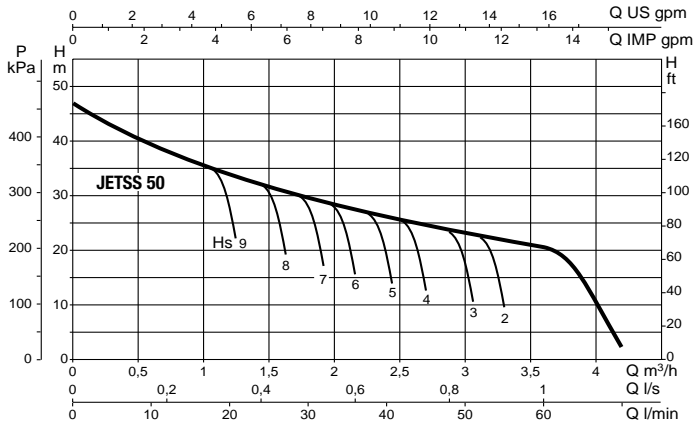
MODEL	CODE	ELECTRICAL DATA						
		VOLTAGE 60 Hz	P1 MÁX kW	P2 NOMINAL		In A	CAPACITOR	
				kW	HP		µF	Vc
JETSS 50	102648010.	1X115/230 V~	0.93	0.37	0.5	8.21-4.22	50	450
JETSS 75	102648020.	1X115/230 V~	1.12	0.56	0.75	10.3-5.25	50	450
JETSS 75-1	102648040.	1X115/230 V~	1.12	0.56	0.75	10.3-5.25	50	250
JETSS 100	102648030.	1X115/230 V~	1.48	0.75	1	13.8-7.10	80	250
JETSS 100-1	102648050.	1X115/230 V~	1.48	0.75	1	13.8-7.10	80	250

JETSS

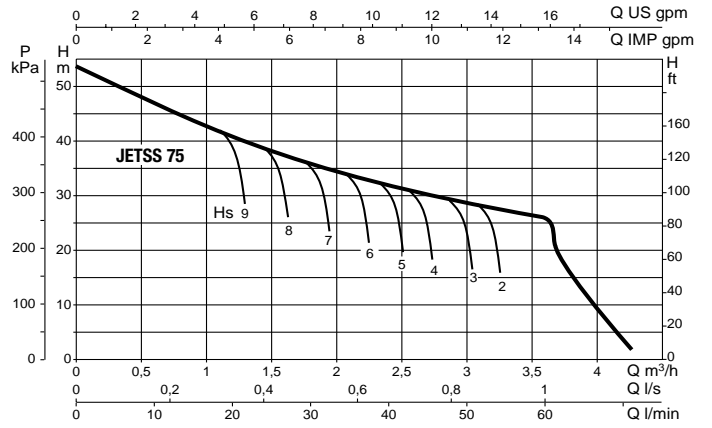
SELF-PRIMING CENTRIFUGAL PUMPS

RANGE PERFORMANCE

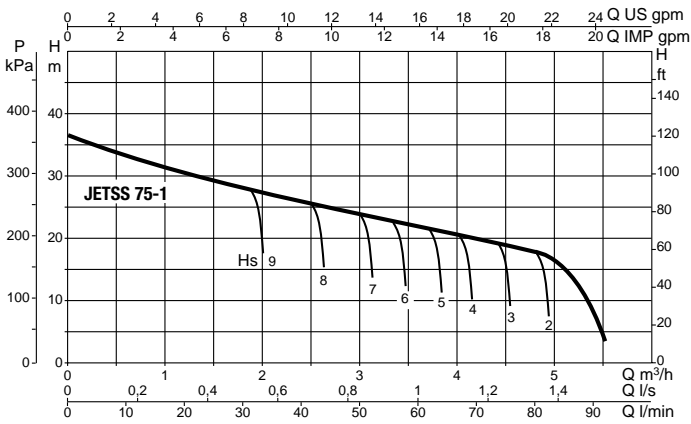
JETSS 50



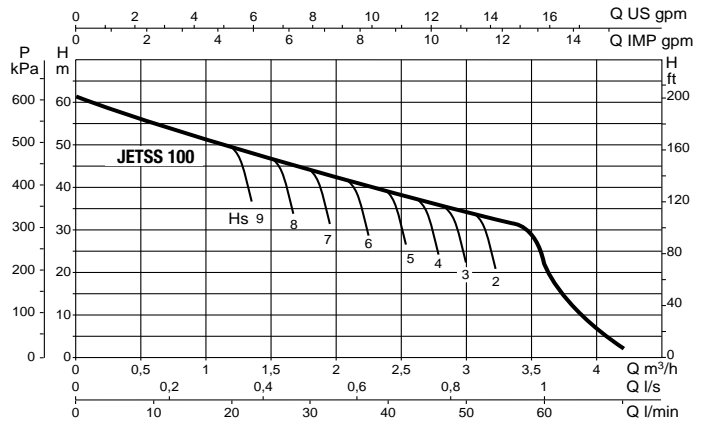
JETSS 75



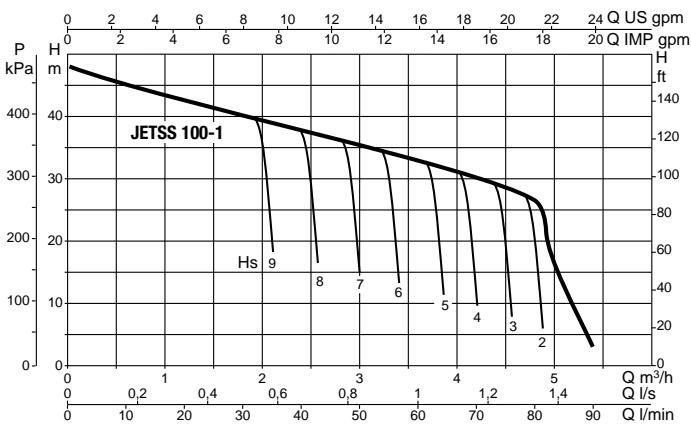
JETSS 75-1



JETSS 100



JETSS 100-1



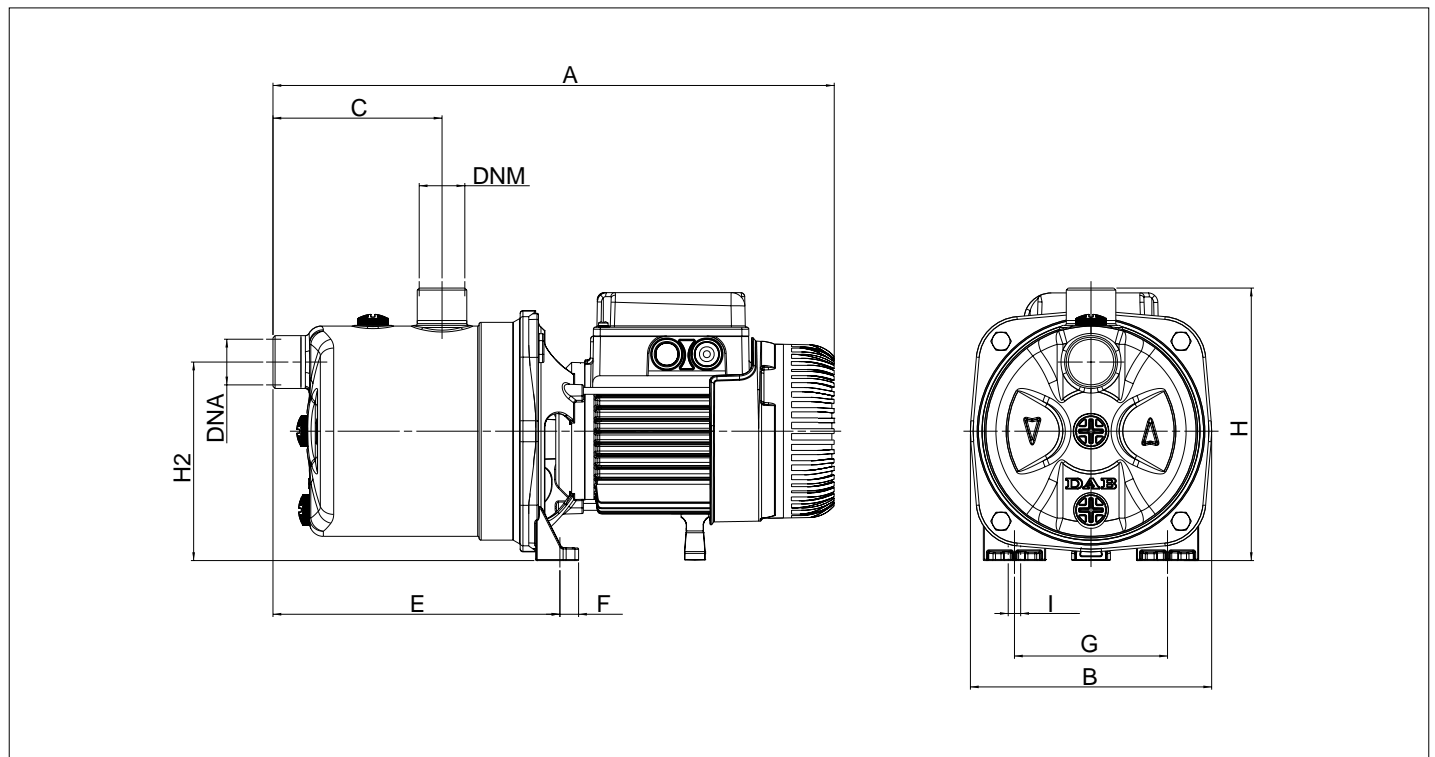
JETSS

SELF-PRIMING CENTRIFUGAL PUMPS

RANGE PERFORMANCE

MODEL	P2 NOMINAL		Q=GPM	H (ft)														
	KW	HP		0	2.6	5.3	7.9	10.6	13.2	15.8	18.5	21.1	26.4	31.7	39.6	42.2	10.5	
JETSS 50	0.6	0.8	H (ft)	154	131	112	98	86	77	67								
JETSS 75	0.75	1		177	154	135	119	106	94	85								
JETSS 75-1	0.75	1		119	110	102	93	85	79	72	64	57						
JETSS 100	1	1.36		200	177	157	140	127	114	66								
JETSS 100-1	1	1.36		158	150	140	131	123	115	107	98	89						

DIMENSIONS AND WEIGHTS



MODEL	A	A1	B	C	E	F	G	H	H1	H3	I Ø	DNA (NPT)	DNM (NPT)	L/A	L/B	H	WEIGHT lbs	Q.TY x PALLET
JETSS 50	16	6.9	4.8	8.1	0.6	4.4	7.8	-	5.7	0.4	-	1"	1"	18.5	9.4	9.4	17.2	28
JETSS 75	16.7	6.9	4.8	8.1	0.6	4.4	7.8	-	5.7	0.4	-	1"	1"	18.5	9.4	9.4	21.2	28
JETSS 75-1	16	6.9	4.8	8.1	0.6	4.4	7.8	-	5.7	0.4	-	1"	1"	18.5	9.4	9.4	19.4	28
JETSS 100	16.7	6.9	4.8	8.1	0.6	4.4	7.8	-	5.7	0.4	-	1"	1"	18.5	9.4	9.4	23.4	28
JETSS 100-1	16.7	6.9	4.8	8.1	0.6	4.4	7.8	-	5.7	0.4	-	1"	1"	18.5	9.4	9.4	23.4	28