

K

SINGLE IMPELLER CENTRIFUGAL PUMPS



Single impeller centrifugal pump suitable for domestic, civil, industrial and agricultural installations and for decanting, mixing and irrigating uses. Cast iron pump body and motor support. Technopolymer impeller. Stainless steel driving shaft. Carbon/ceramic mechanical seal. Asynchronous, closed motor, cooled by external ventilation. Built-in thermal and current overload protection and a capacitor permanently on in the single-phase version. For the protection of the three-phase motor it is advisable to use a suitable overload protection complying with the regulations in force.

Operating range from 7.9 to 422.7 GPM with head up to 203 ft

Pumped liquid characteristics clean, free from solids or abrasive substances, non-viscous, non-aggressive, non-crystallised, chemically neutral and close to the characteristics of water

Liquid temperature range from 14°F to +122°F

Maximum operating range 87 psi

Maximum ambient temperature +104°F

Protection level IP 44

Terminal board protection level IP 55

Insulation class F



TECHNICAL DATA

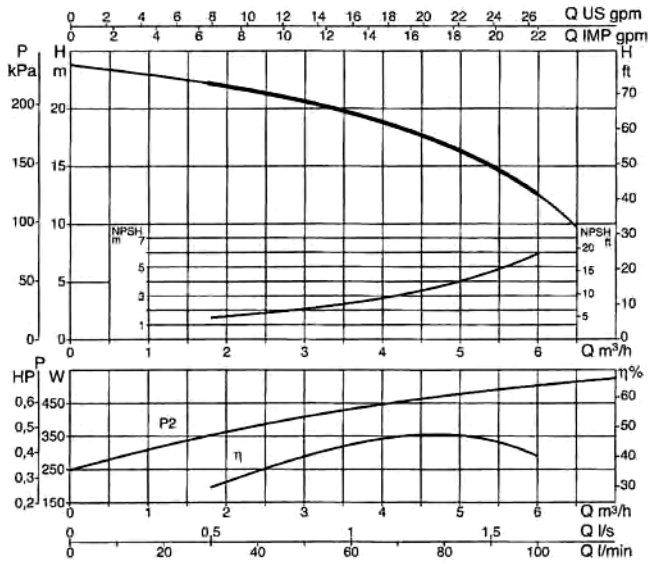
MODEL	CODE	ELECTRICAL DATA						
		VOLTAGE 60 Hz	P1 MAX kW	P2 NOMINAL		In A	CAPACITOR	
				kW	HP		µF	Vc
K 20/41 M	60113967	1x115/230 V~	0.8	0.37	0.5	6.7-3.5	40	250
K 30/70 M	60113968	1x115/230 V~	1.5	0.75	1	14.5-7.35	80	450
K 30/100 M	102115640	1x220-230 V~	1.72	1.1	1.5	8-7.6	31.5	450
K 36/100 M	102115700	1x220-230 V~	2.1	1.85	2.5	9.4-9	40	450

K

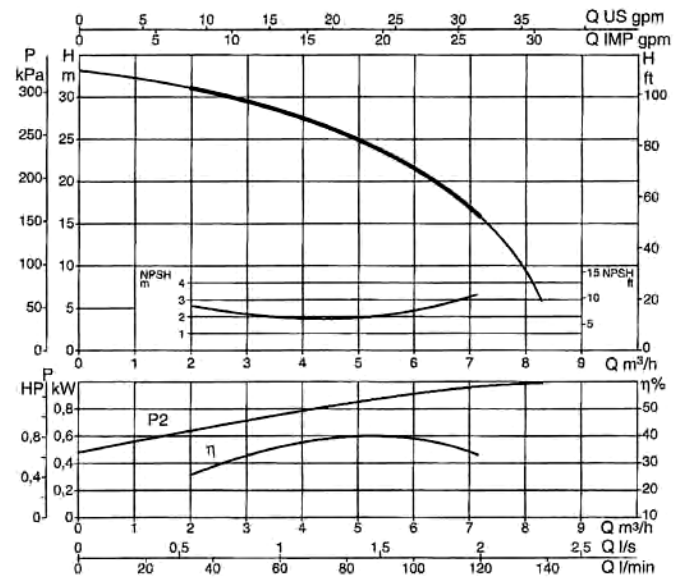
SINGLE IMPELLER CENTRIFUGAL PUMPS

RANGE PERFORMANCE

K 20/41



K 30/70



MODEL	P2 NOMINAL		Q= GPM	Flow Rate (GPM)											
	kW	HP		0	7.9	10.6	15.8	21.1	26.4	31.7	39.6	42.2	46.2	52.8	
K 20/41 M *	0.37	0.5	H	77	71	69	62	53	40	15					
K 30/70 M	1.5	0.75	(ft)	108	102	100	94	87	75	62					

* pump not suitable for domestic application

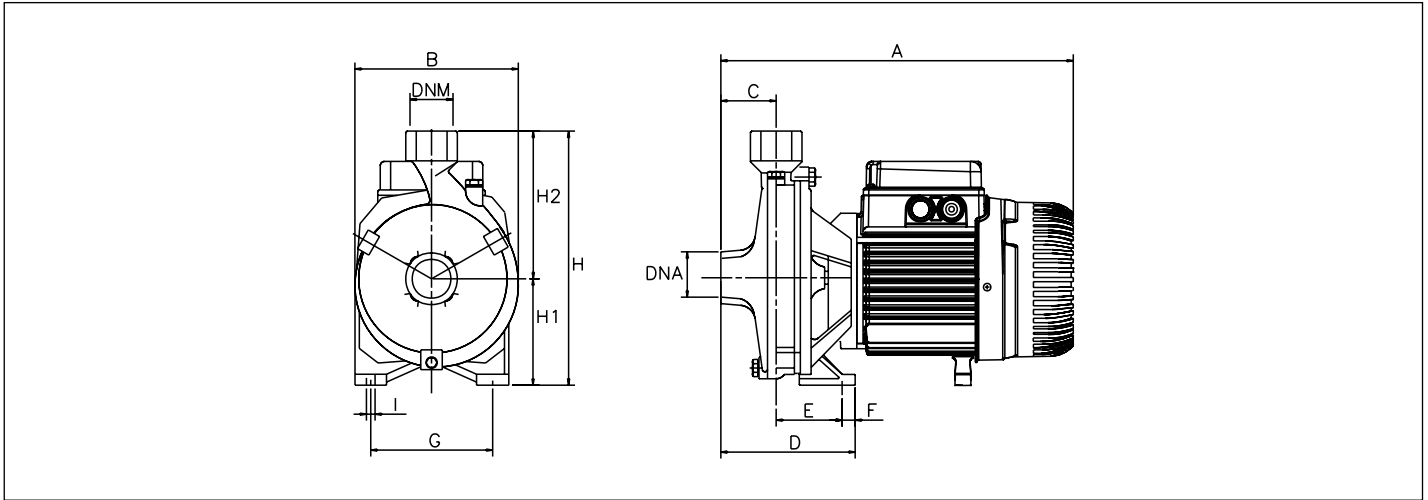
K

SINGLE IMPELLER CENTRIFUGAL PUMPS

DIMENSIONS AND WEIGHTS

K 20/41 - 30/70

CENTRIFUGAL & JET



MODEL	A	B	C	D	E	F	G	I Ø	H	H1	H2	DNA			DNM			PACKAGING DIMENSIONS			VOLUME ft³	WEIGHT lbs	Q.TY x PALLET
												X1	Y1	Z1	X2	Y2	Z2	L/A	L/B	H			
K 20/41 M	11.8	6.3	2	3.9	2	0.6	4.3	0.4	8.1	3.3	4.7	1"			1"			13.1	8	10.1	0.8	22.3	39
K 30/70 M	11.8	7.3	2	4.3	2.3	0.6	5.5	0.4	9.3	3.9	5.3	1"			1"			9.1	9.1	10.3	0.8	32.6	30