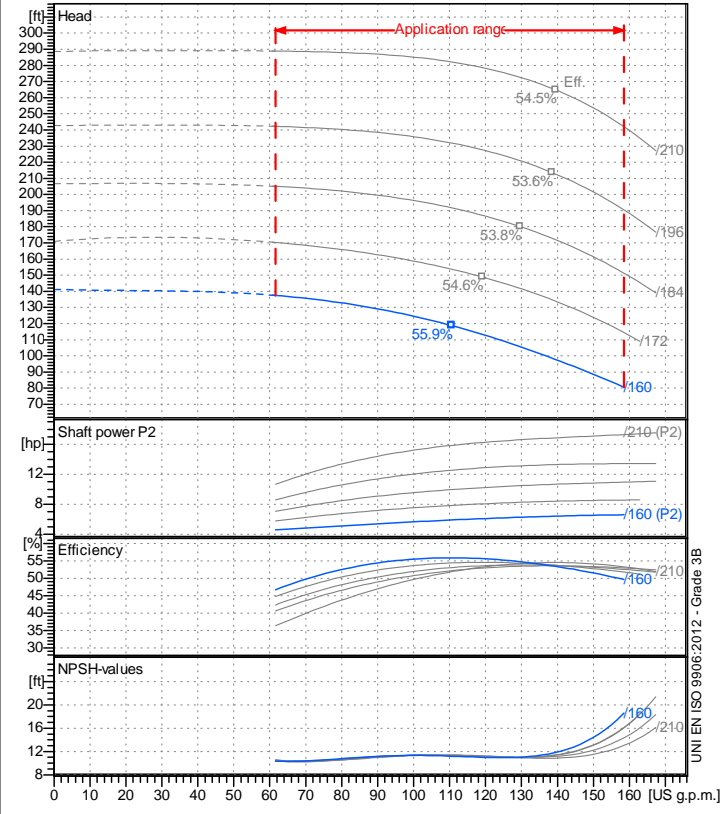


Company name
 Respons. Department
 Person in charge
 Phone number
 Fax no
 E-mail address

Receiver	From



Operating data specification

Nominal flow	US g.p.m. 0
Nominal head	ft 0
Static head	ft 0
NPSH - v value of plant	ft 0
Inlet pressure	psi 1.42
Fluid	Water, pure
Operating temperature t A	°F 68
Density at t A	lb/ft³ 62.32
Kin. viscosity at t A	ft²/s 1.082E-5

Pump

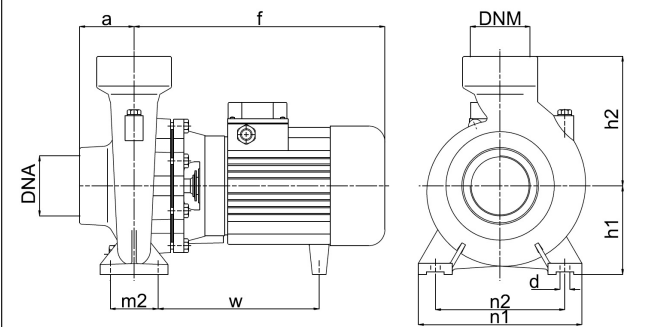
Pump name		6BP12/160	
Size			
Design			
Speed	rpm 3550	No of stages	1
Impeller type			
Flow	Nominal	US g.p.m.	
	Max-	US g.p.m.	159
	Min-	US g.p.m.	61.6
Head	Nominal	ft	
	Max-	ft	137
	Min-	ft	80.6
Head H(Q=0)		ft 141	
NPSH 3%		ft	
Max. working pressure		psi 61.1	
Shaft power		hp	
Efficiency		%	
Max absorbed power		hp 6.5946	

Materials Pump

Shaft	Stainless steel AISI 431 (1.4057)
Impeller	Cast iron EN-GJL-250
Pump body	Cast iron EN-GJL-250
Seal disc	Cast iron EN-GJL-250
Gasket	Natural fiber
Mechanical seal	BVEG (Grafito/Ossido Allumina/EPDM)

Dimensions in inch

a	2 ⁹ / ₁₆
d	9 ⁹ / ₁₆
f	14 ⁹ / ₁₆
h1	5 ³ / ₁₆
h2	7 ¹ / ₁₆
m2	2 ³ / ₄
n1	9 ⁷ / ₁₆
n2	7 ¹ / ₂
w	10 ¹³ / ₁₆



Motor	Frame size	112		
Manufacturer / Type	SAER 112-2P-5,5			
Rated power	hp 5.3641	Efficiency 4/4	86 %	
Electric current	A 15.6	Speed	rpm 3510	
Electric voltage	V 230 V	3~	Hz 60	
Starting mode	Unknown			
Degree of protection	IP 55	Insulation class	F	

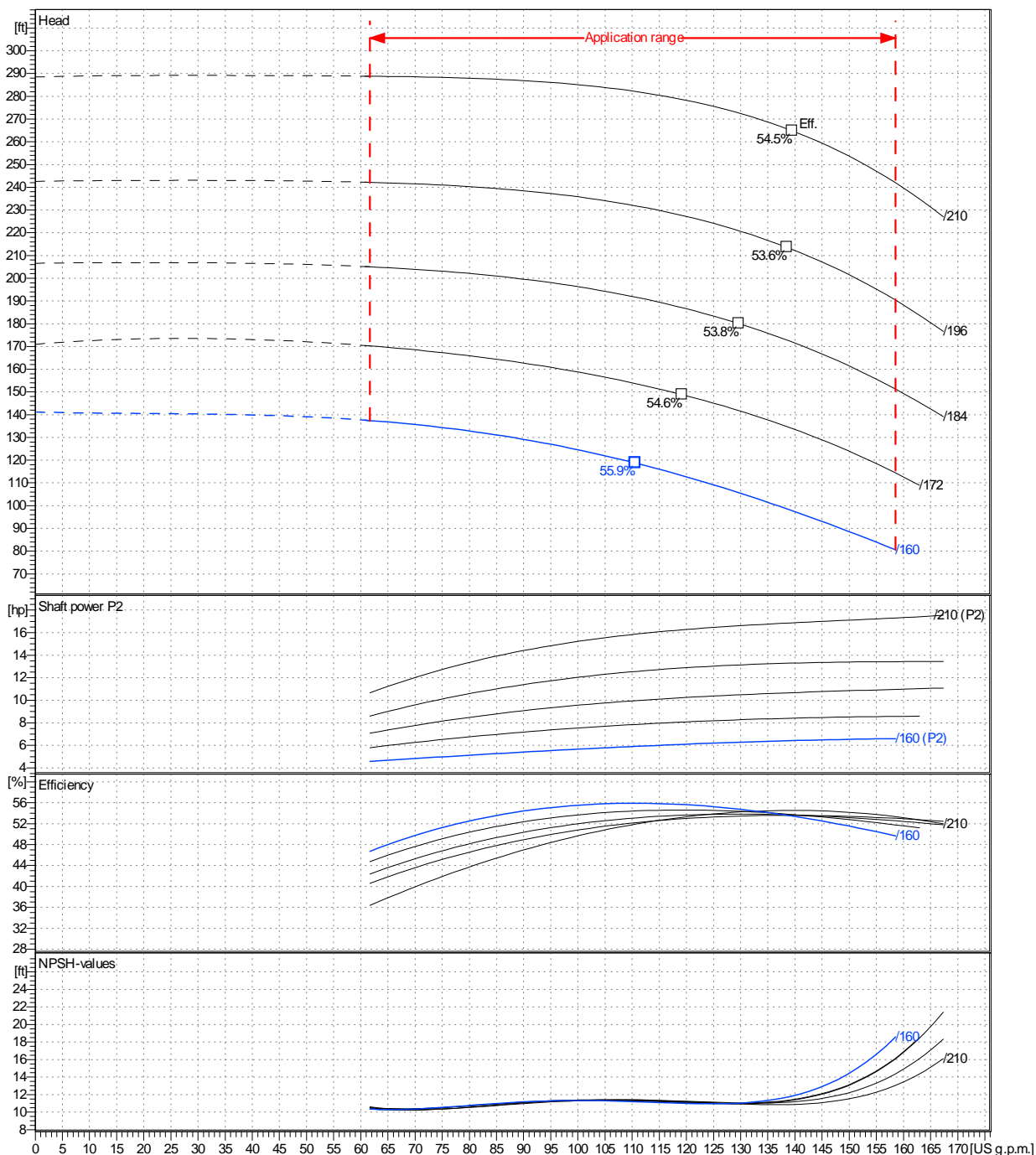
Remarks:				
Project	Project ID	Created by	Created on	Last update
			2022-07-26	

Receiver	From
Company name	
Respons. Department	
Person in charge	
Phone number	
Fax no	
E-mail address	

Operating area	Flow	Head	Impeller type
Operating data specification	0 US g.p.m.	0 ft	Impeller construction
Pump data	US g.p.m.	ft	Sense of rotation
			Clockwise from the drive end
			Outlet width
			G2"
	Flow	Head	Shaft power P2
	Min. Max. η Max.	H(Q=0) η Max.	P2(Q=0) Max. η Max.
	US g.p.m. US g.p.m. US g.p.m.	ft ft	hp hp hp
	61.6 159 111	141 119	6.59 5.91
			Speed rpm 3550
			Frequency Hz 60 Hz

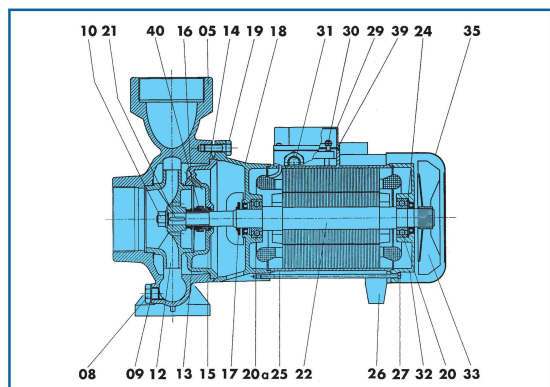
Performance data based to: Water, pure [100%]; 68°F; 62.3lb/ft³; 1.08E-5ft²/s

UNI EN ISO 9906:2012 - Grade 3B



Project	Project ID	Created by	Created on	Last update
			2022-07-26	

Company name
 Respons. Department
 Person in charge
 Phone number
 Fax no
 E-mail address



BP 7-8-9-10-11-12-13-14-15-16-17

RIF. REF. NUM.	COMPONENT	COMPONENTE	COMPONENTE
05	Pump body	Corpo pompa	Cuerpo de bomba
08	Plug	Tappo	Tapon
09	Gasket	Guarnizione	Empaquetadura
10	Nut	Dado	Tuerca
12	Impeller	Girante	Impulsor
13	Rotating mechanical seal	Parte rotante tenuta meccanica	Cierre mecanico parte girante
14	O-Ring	Anello OR	Anillo OR
15	Fixed mechanical seal	Parte fissa tenuta meccanica	Cierre mecanico parte fija
16	Seal holding disc	Disco porta tenuta	Anillo intermedio
17	Drop guard	Paragoccia	Paragotas
18	Support	Supporto	Soporte
19	Screw	Vite	Tomillo
20	Bearing	Cuscinetto	Cojinete
20a	Bearing	Cuscinetto	Cojinete
21	Key	Linguetta	Chaveta
22	Rotating shaft	Albero rotante	Eje rotatorio
24	Circlip	Anello elastico	Anillo elastico
25	Casing with wound stator	Carcassa statore avvolto	Carcasa estator envuelto
26	Foot	Piede	Pie
27	Tie-rod	Tirante	Tirante
29	Terminal board cover	Coperchio morsettiera	Tapa de bornes
30	Terminal board	Morsettiera	Bornes
31	Fairlead	Pressacavo	Guia
32	Driving cap	Calotta motore	Tapa motor
33	Fan	Ventola	Ventilador
35	Fan cover	Copriventola	Tapa ventilador
39	Terminal board gasket	Guarnizione morsettiera	Empaquetadura bornes
40	Bushing	Bussola	Casquillo

Project

Project ID

Created by

 Created on
2022-07-26

Last update