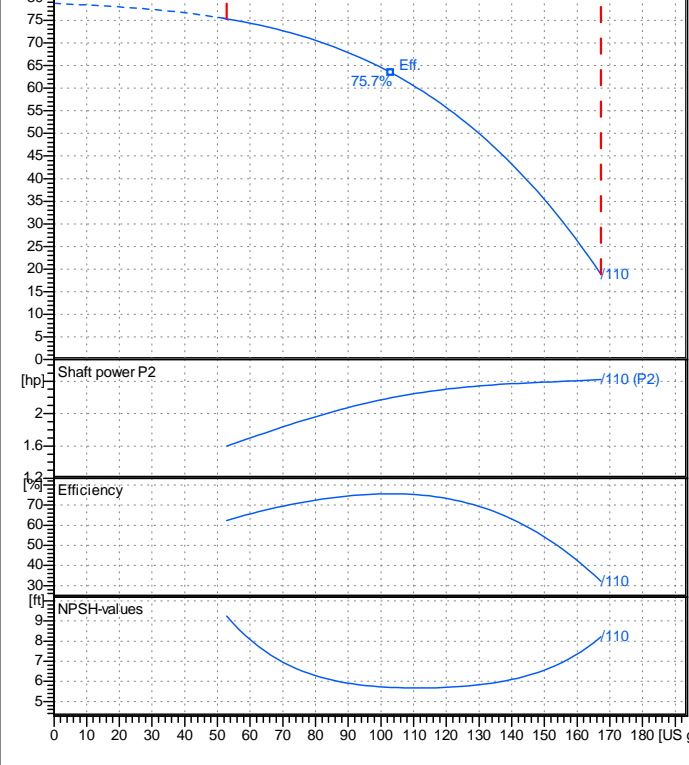


Receiver	From

Company name
 Respons. Department
 Person in charge
 Phone number
 Fax no
 E-mail address

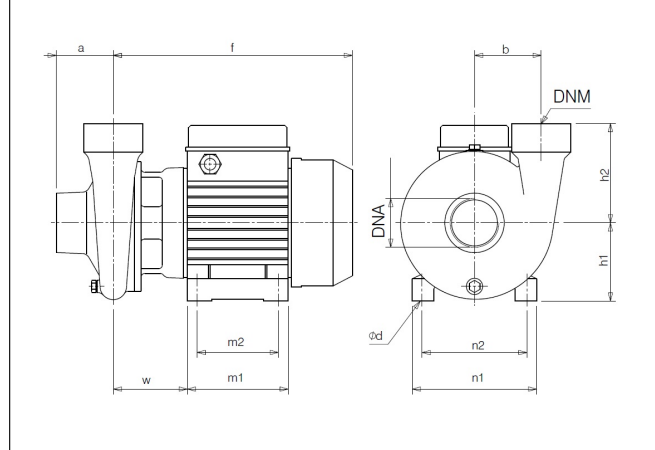


Operating data specification	
Nominal flow	US g.p.m. 0
Nominal head	ft 0
Static head	ft 0
NPSH - v value of plant	ft 0
Inlet pressure	psi 1.42
Fluid	Water, pure
Operating temperature t A	°F 68
Density at t A	lb/ft³ 62.32
Kin. viscosity at t A	ft²/s 1.082E-5

Pump			
Pump name		6BP5/110	
Size			
Design			
Speed	rpm 3550	No of stages	1
Impeller type			
Flow	Nominal	US g.p.m.	
	Max-	US g.p.m.	167
	Min-	US g.p.m.	52.8
Head	Nominal	ft	
	Max-	ft	75.3
	Min-	ft	18.9
Head H(Q=0)		ft	78.7
NPSH 3%		ft	
Max. working pressure		psi	34.1
Shaft power		hp	
Efficiency		%	
Max absorbed power		hp	2.4231

Materials Pump	
Shaft	Stainless steel AISI 420 (1.4028)
Impeller	Carbon steel G20Mn5 (1.6620)
Pump body	Cast iron EN-GJL-200
Support	Cast iron EN-GJL-200
OR	NBR Rubber
Mechanical seal	BXPG (Gra/Cer/NBR)

Dimensions in inch	
a	2 ³ / ₄
d	3 ³ / ₈
f	11 ⁹ / ₁₆
h1	3 ³ / ₄
h2	4 ¹³ / ₁₆
m1	4 ⁷ / ₈
m2	3 ¹⁵ / ₁₆
n1	6
n2	4 ¹⁵ / ₁₆
w	3 ⁷ / ₁₆



Motor	Frame size	80		
Manufacturer / Type	SAER	80-2P-2		
Rated power	hp 2.0115	Efficiency 4/4	75 %	
Electric current	A 12.6	Speed	rpm	3490
Electric voltage	V 230 V	1~	Hz	60
Starting mode	Unknown			
Degree of protection	IP 55	Insulation class	F	

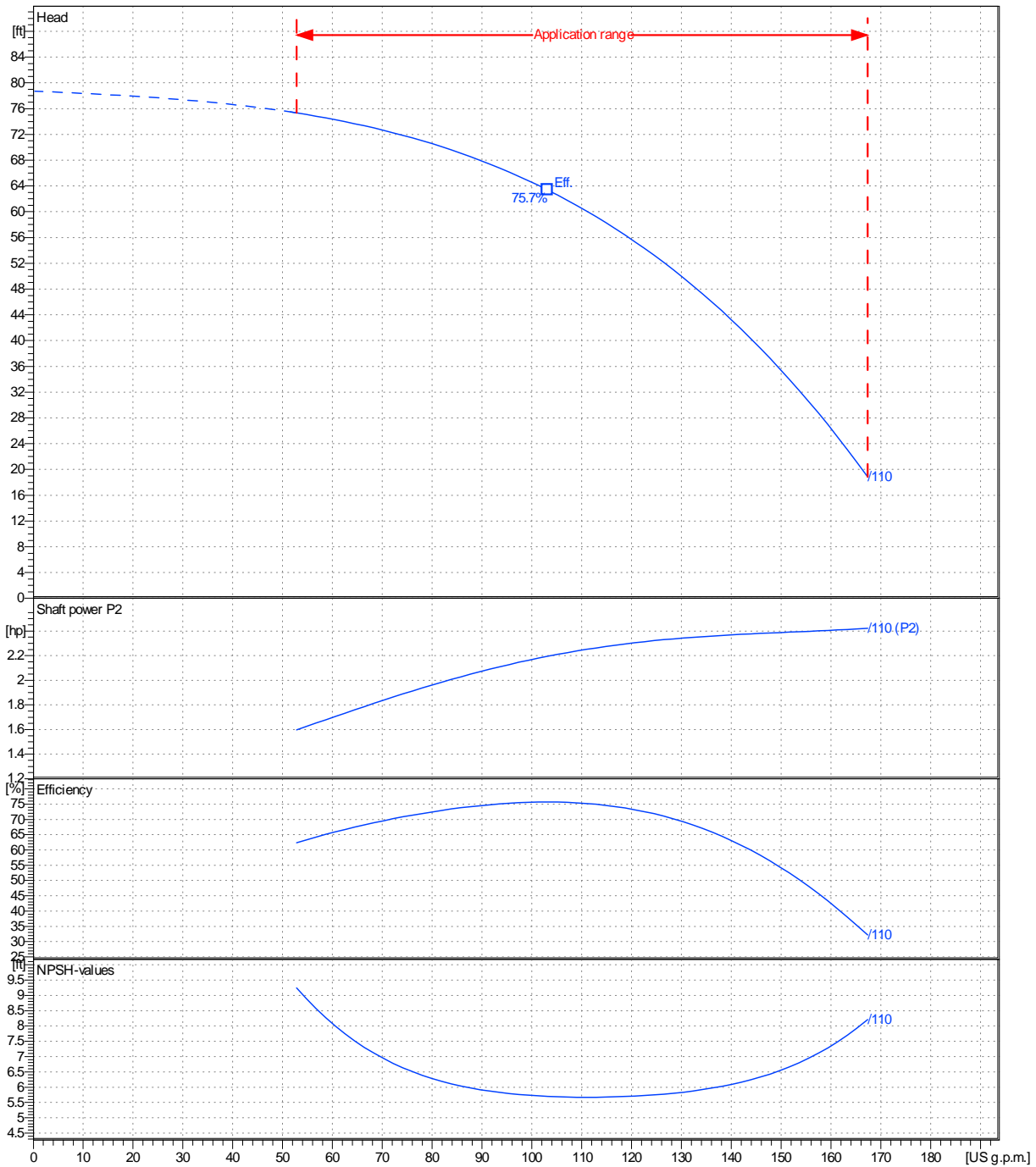
Remarks:				
Project	Project ID	Created by	Created on	Last update
			2022-07-26	

Receiver	From

Company name
 Respons. Department
 Person in charge
 Phone number
 Fax no
 E-mail address

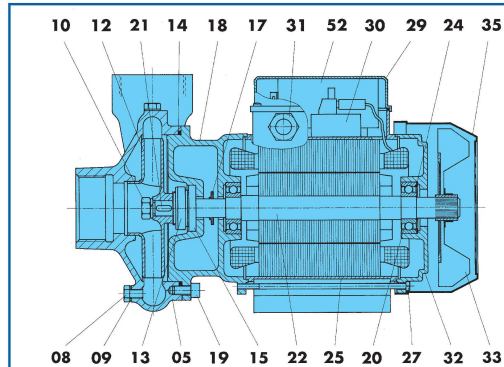
Operating area	Flow	Head	Impeller type
Operating data specification	0 US g.p.m.	0 ft	Impeller construction
Pump data	US g.p.m.	ft	Sense of rotation
			Clockwise from the drive end
			Outlet width
			G2"
	Flow	Head	Shaft power P2
	Min. Max. η Max.	H(Q=0) η Max.	P2(Q=0) Max. η Max.
	US g.p.m. US g.p.m. US g.p.m.	ft ft	hp hp hp
	52.8 167 103	78.7 63.4	2.42 2.19
			Speed rpm 3550
			Frequency Hz 60 Hz

Performance data based to: Water, pure [100%]; 68°F; 62.3lb/ft³; 1.08E-5ft²/s UNI EN ISO 9906:2012 - Grade 3B



Project	Project ID	Created by	Created on 2022-07-26	Last update
---------	------------	------------	---------------------------------	-------------

Company name
 Respons. Department
 Person in charge
 Phone number
 Fax no
 E-mail address



BP 3-4-5

RIF. REF. NUM.	COMPONENT	COMPONENTE	COMPONENTE
05	Pump body	Corpo pompa	Cuerpo de bomba
08	Plug	Tappo	Tapon
09	Gasket	Guarnizione	Empaquetadura
10	Nut	Dado	Tuerca
12	Impeller	Girante	Impulsor
13	Rotating mechanical seal	Parte rotante tenuta meccanica	Cierre mecanico parte girante
14	O-Ring	Anello OR	Anillo OR
15	Fixed mechanical seal	Parte fissa tenuta meccanica	Cierre mecanico parte fija
17	Drop guard	Paragoccia	Paragotas
18	Support	Supporto	Soporte
19	Screw	Vite	Tornillo
20	Bearing	Cuscinetto	Cojinete
21	Key	Linguetta	Chaveta
22	Rotating shaft	Albero rotante	Eje rotatorio
24	Circlip	Anello elastico	Anillo elastico
25	Casing with wound stator	Carcassa statore avvolto	Carcasa estator envuelto
27	Tie-rod	Tirante	Tirante
29	Terminal board cover	Coperchio morsettiera	Tapa de bornes
30	Terminal board	Morsettiera	Bornes
31	Fairlead	Pressacavo	Guia
32	Driving cap	Calotta motore	Tapa motor
33	Fan	Ventola	Ventilador
35	Fan cover	Copriventola	Tapa ventilador
52	Capacitor	Condensatore	Condensador

Project

Project ID

Created by

 Created on
2022-07-26

Last update