



Technical Data

Peripheral Pump - GO-111P

Revision no.

Page:
1

Receiver

From

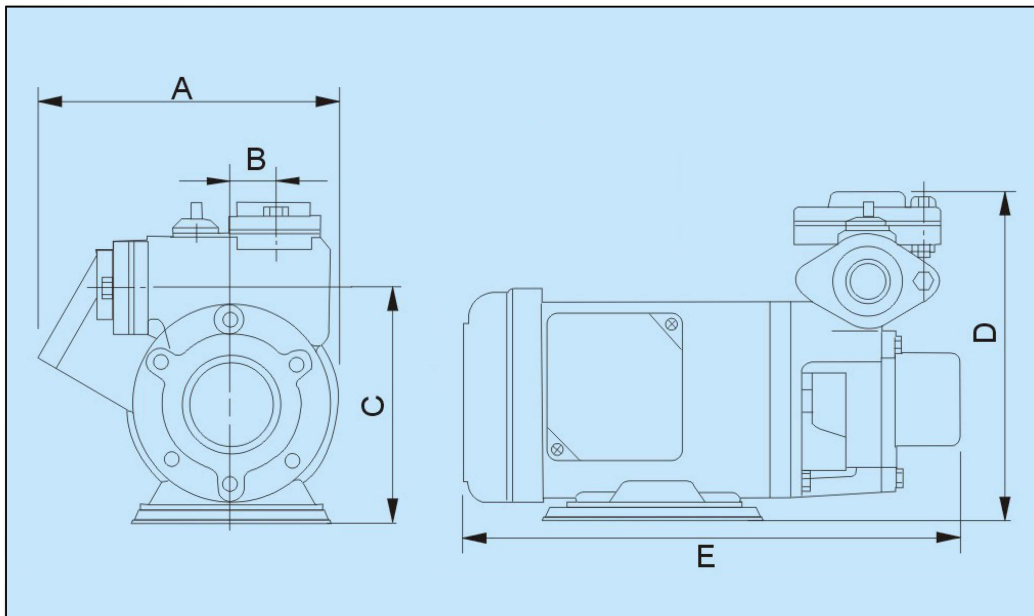
Company name
Respons. Department
Person in charge
Phone number
Fax no
E-mail address



Brand: Gol Pumps
Model: GO-111P

Weight (lb)
28.7

Dimensions:



Flange (inch)	
Inlet	Outlet
1	1

Pump Installation Size (inch)				
A	B	C	D	E
9.1	1.1	7.2	9.3	12.3

Project

Project ID

Created by

Created on

Last update



Performance Curves

Peripheral Pump - GO-111P

Revision no.

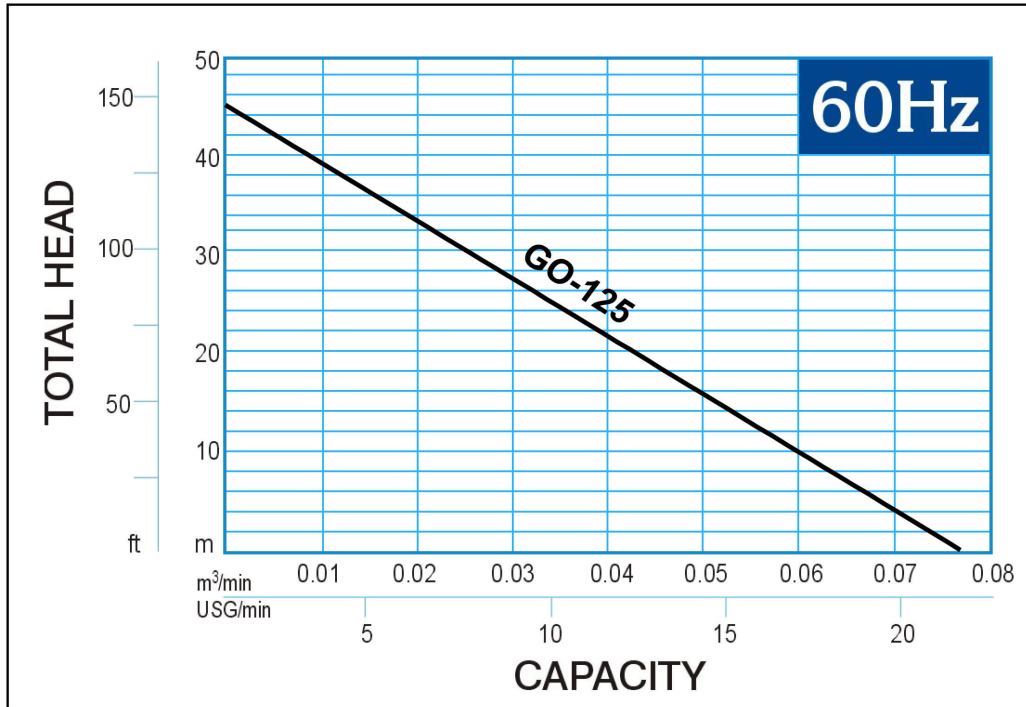
Page:
2

Receiver

From

Company name
Respons. Department
Person in charge
Phone number
Fax no
E-mail address

Model	Voltage	Phase	Power		Discharge Diam.	Max. Head	Max. Flow	
	v	ph	hp	kw	in	ft	m ³ /min	gpm
GO-111P	115	1	1	0.75	1	147.6	0.08	21.1



Parts List:

NO.	NAME OF PARTS	MATERIAL
3	Motor Head Cover	Plastic (1/4 ,1/2HP) Aluminum (1HP)
4	Capacitor	
7A	Upper Bearing	
7B	Lower Bearing	
9	Coil	
10	Shaft	S45C
11	Rotor	Steel Plate
12	Stator	Steel Plate
13	Motor Casing	SPC
15	Mechanical Seal	Ceramic Carbon
16	Flange Setter	Cast Iron
17	Motor Lower Cover	Cast Iron
20	Pump Casing	Cast Iron
21	Impeller	Bronze
30	Cooling Fan	Plastic
31	Fan Cover	Plastic
33	Pump Protector	
34	Switch Cover	Plastic
45	Terminal Box Cover	Plastic
72	Outlet Rubber	NBR
90	Motor Base	Plastic (1 HP)

Project	Project ID	Created by	Created on	Last update
---------	------------	------------	------------	-------------



Installation Peripheral Pump - GO-111P

Revision no.

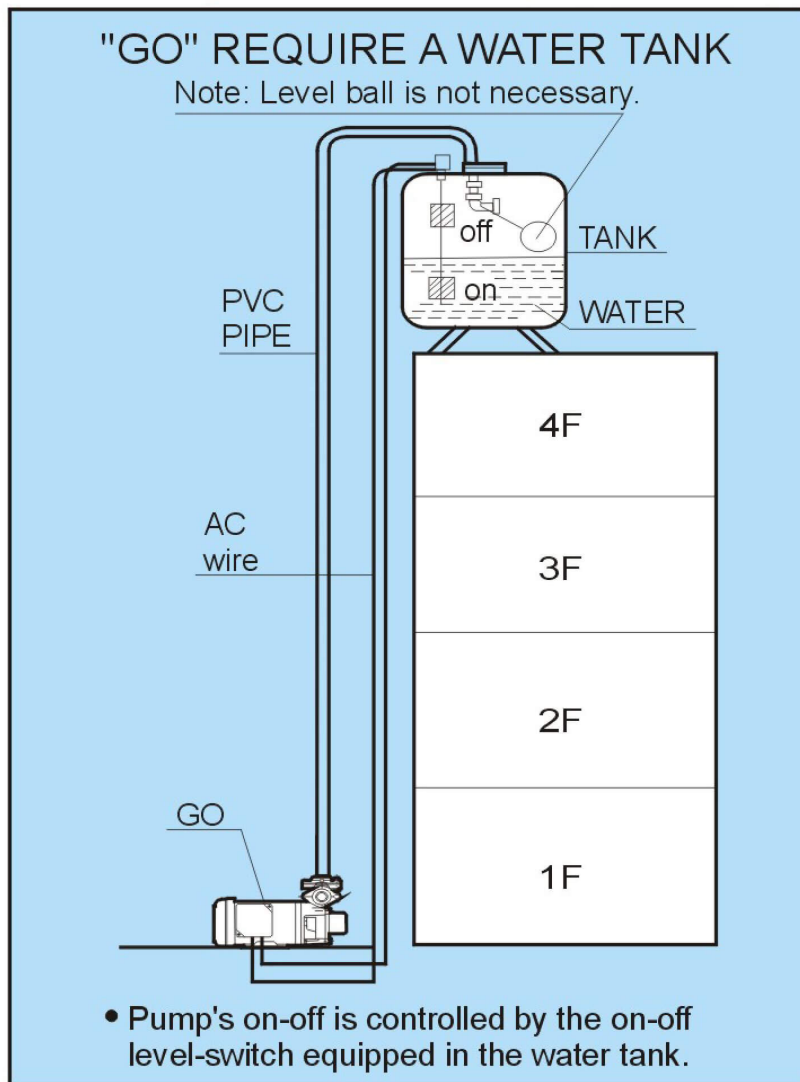
Page:

3

Receiver

From

Company name
Respons. Department
Person in charge
Phone number
Fax no
E-mail address



Project

Project ID

Created by

Created on

Last update