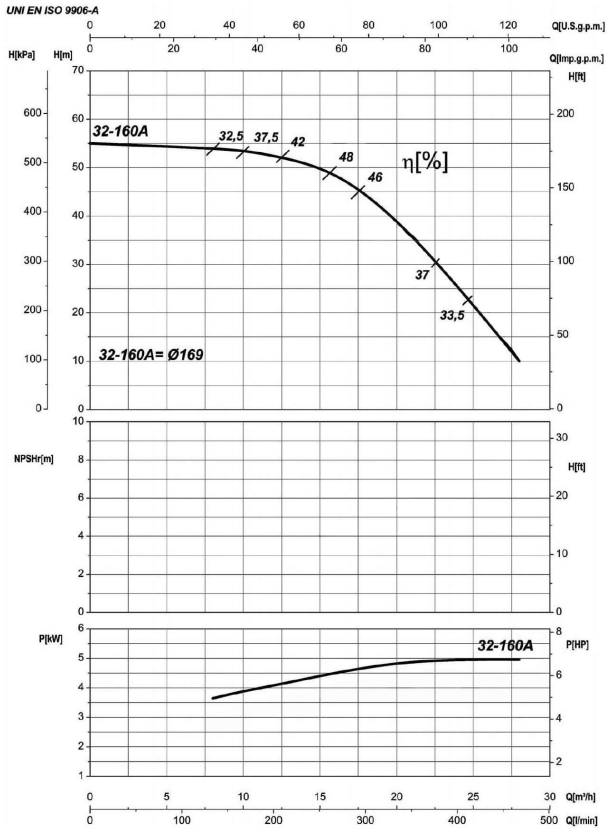


Company name
 Respons. Department
 Person in charge
 Phone number
 Fax no
 E-mail address

Receiver

From



Operating data specification

Nominal flow	US g.p.m.	0
Nominal head	ft	0
Static head	ft	0
NPSH - v value of plant	ft	0
Inlet pressure	psi	1.42
Fluid		Water, pure
Operating temperature t A	°F	68
Density at t A	lb/ft³	62.32
Kin. viscosity at t A	ft²/s	1.082E-5

Pump

Pump name	6IR32-160A	
Size	50/32/160	
Design		
Speed rpm	3600	No of stages 1
Impeller type		
Flow	Nominal	US g.p.m.
	Max-	US g.p.m. 123
	Min-	US g.p.m. 35.2
Head	Nominal	ft
	Max-	ft 177
	Min-	ft 32
Head H(Q=0)	ft	181
NPSH 3%	ft	
Max. working pressure	psi	78.4
Shaft power	hp	
Efficiency	%	
Max absorbed power	hp	6.4295

Materials Pump

Shaft	Stainless steel AISI 431 (1.4057)
Impeller	Cast iron EN-GJL-250
Pump body	Cast iron EN-GJL-250
Seal disc	Cast iron EN-GJL-250
Gasket	Natural fiber
Mechanical seal	BVEG (Grafito/Ossido Allumina/EPDM)

Motor	Frame size	112 M		
Manufacturer / Type	SAER	MEC112M-2P-5.5		
Rated power	hp	7.3756	Efficiency 4/4	86 %
Electric current	A	23 A	Speed rpm	3600
Electric voltage	V	230V	3~	Hz 60
Starting mode	Unknown			
Degree of protection	IP 55	Insulation class	F	

Dimensions in inch

a	3/8
b	1 5/16
DNA	1 5/16
DNM	1 1/4
f	16 11/16
h1	5 3/16
h2	6 5/16
m1	3 3/16
m2	2 3/4
n1	9 7/16
n2	7 1/2
s	9/16
w	12 1/4

Remarks:

Project	Project ID	Created by	Created on	Last update
			2022-08-01	

Receiver

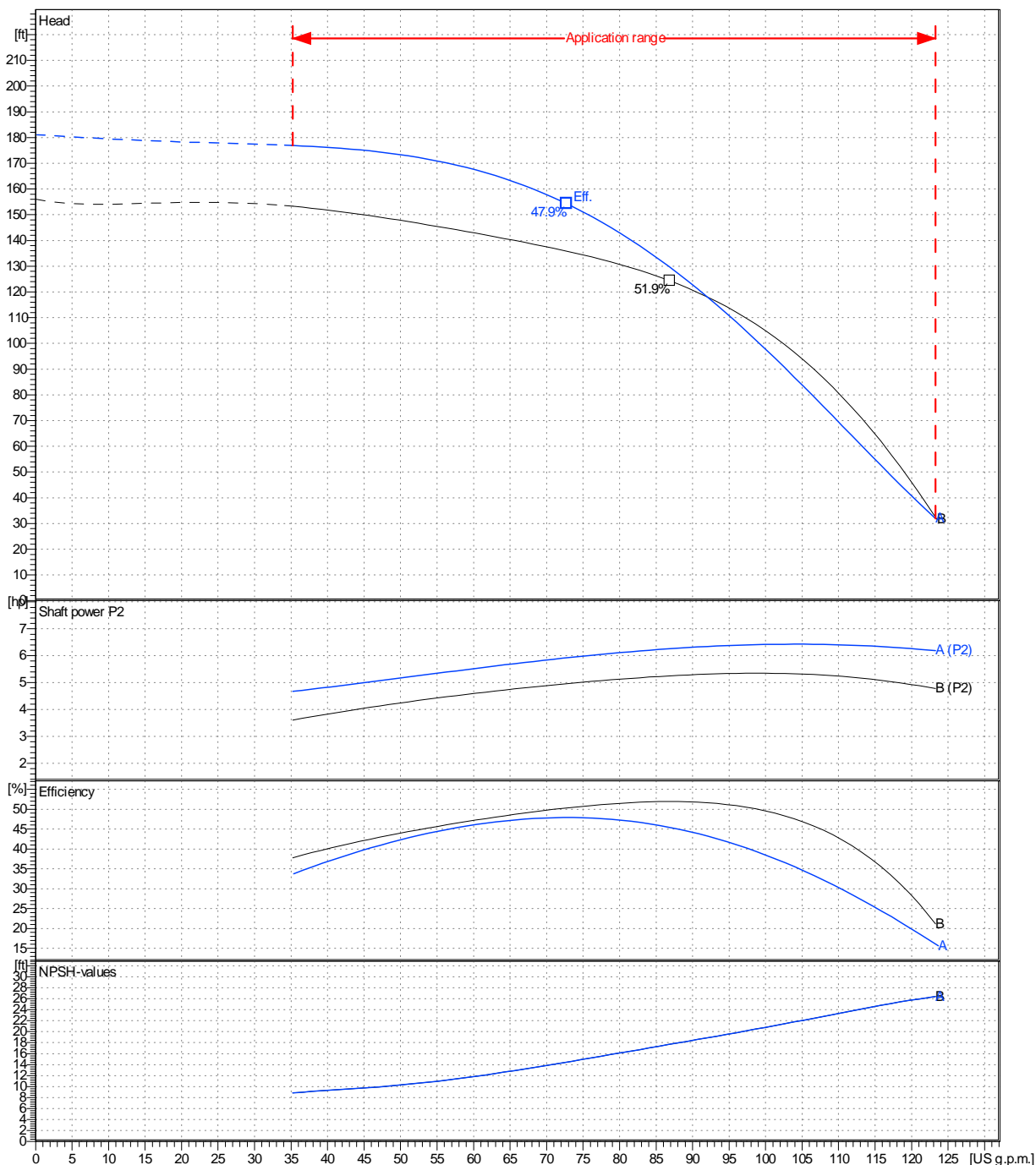
From

 Company name
 Respons. Department
 Person in charge
 Phone number
 Fax no
 E-mail address

Operating area	Flow	Head	Impeller type
Operating data specification	0 US g.p.m.	0 ft	Impeller construction Closed
Pump data	US g.p.m.	ft	Sense of rotation Clockwise from the drive end
			Outlet width DN 32
	Flow		Speed
	Min.	Max.	rpm
	35.2	123	3600
	Head		Frequency
	H(Q=0)	η Max.	Hz
	181	154	60 Hz
	Shaft power P2		
	P2(Q=0)	Max.	
	hp	6.43	

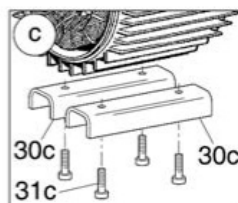
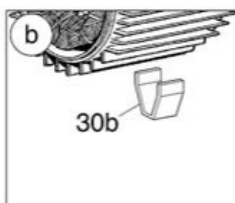
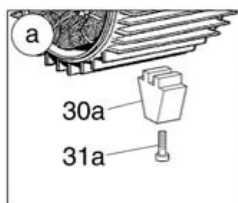
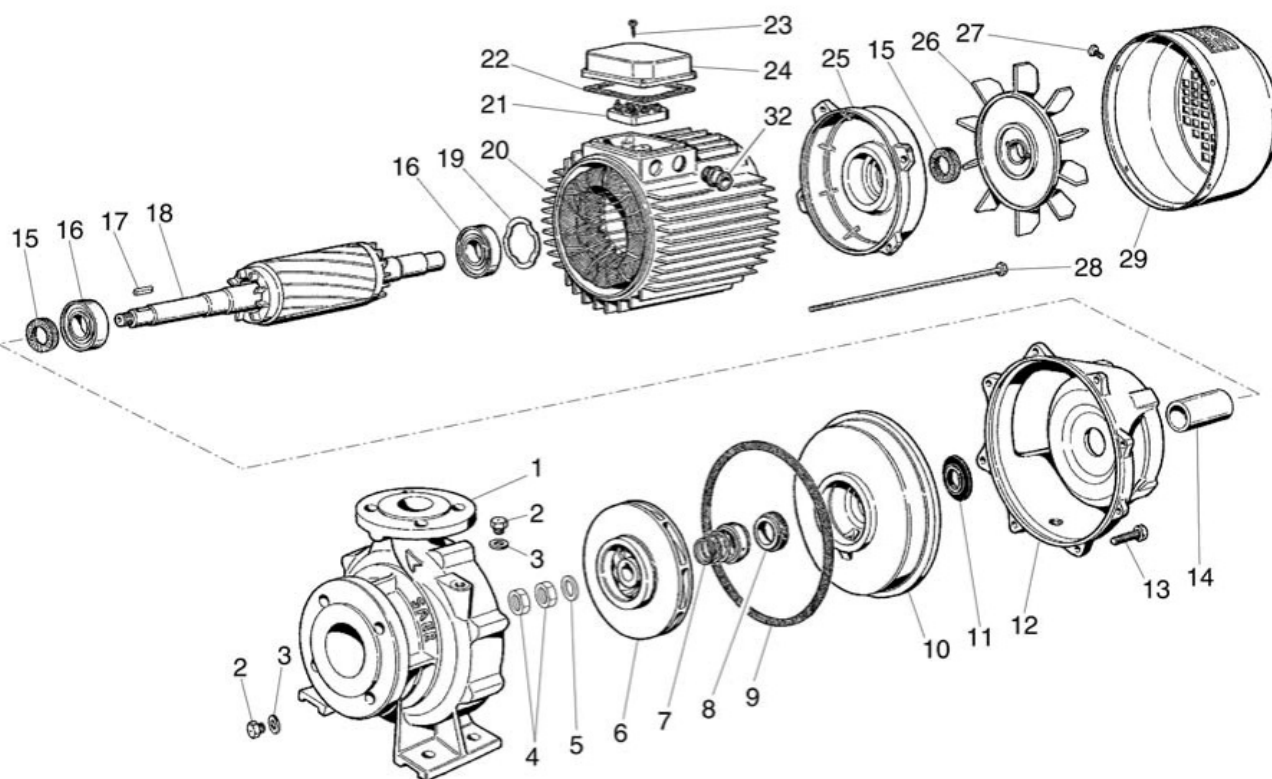
 Performance data based to: Water, pure [100%]; 68°F; 62.3lb/ft³; 1.08E-5ft²/s

UNI EN ISO 9906:2012 - Grade 3B



Project	Project ID	Created by	Created on	Last update
			2022-08-01	

Company name
Respons. Department
Person in charge
Phone number
Fax no
E-mail address



Project

Project ID

Created by

Created on
2022-08-01

Last update