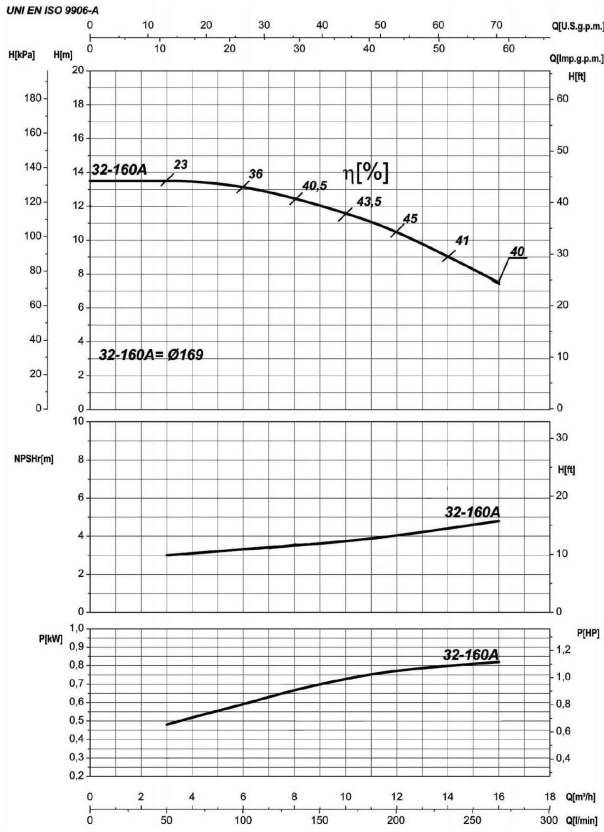


Company name  
 Respons. Department  
 Person in charge  
 Phone number  
 Fax no  
 E-mail address

Receiver	From



### Operating data specification

Nominal flow	US g.p.m. 0
Nominal head	ft 0
Static head	ft 0
NPSH - v value of plant	ft 0
Inlet pressure	psi 1.42
Fluid	Water, pure
Operating temperature t A	°F 68
Density at t A	lb/ft³ 62.32
Kin. viscosity at t A	ft²/s 1.082E-5

Pump		6IR4P 32-160A	
Pump name	6IR4P 32-160A		
Size	50/32/160		
Design			
Speed rpm	1800	No of stages	1
Impeller type			
Flow	Nominal	US g.p.m.	
	Max-	US g.p.m. 70.4	
	Min-	US g.p.m. 13.2	
Head	Nominal	ft	
	Max-	ft 44.2	
	Min-	ft 24.8	
Head H(Q=0)	ft 44		
NPSH 3%	ft		
Max. working pressure	psi 19.1		
Shaft power	hp		
Efficiency	%		
Max absorbed power	hp 1.0825		

### Materials Pump

Shaft	Stainless steel AISI 431 (1.4057)		
Impeller	Cast iron EN-GJL-250		
Pump body	Cast iron EN-GJL-250		
Seal disc	Cast iron EN-GJL-250		
Gasket	Natural fiber		
Mechanical seal	BVEG (Grafito/Ossido Allumina/EPDM)		

### Dimensions in inch

a	3 1/8
b	1 5/16
DNA	1 5/16
DNM	1 1/4
f	13 3/8
h1	5 3/16
h2	6 5/16
m1	3 3/16
m2	2 3/4
n1	9 7/16
n2	7 1/2
s	9/16
w	9 1/2

C	3 1/16	C	4
D	5 1/2	D	6 1/2
DN	1 1/4	DN	1 5/16
K	3 5/16	K	4 5/16
n°	3/16	n°	3/16
ø n	3/4	ø n	3/4

Motor		Frame size	80	
Manufacturer / Type		SAER	MEC80-4P-0.75	
Rated power	hp	1.0058	Efficiency 4/4	76 %
Electric current	A	10.8/5.4 A	Speed	rpm 1800
Electric voltage	V	115/230V	1~	Hz 60
Starting mode	Unknown			
Degree of protection	IP 55	Insulation class	F	

Remarks:				
Project	Project ID	Created by	Created on	Last update
			2022-08-01	

Receiver

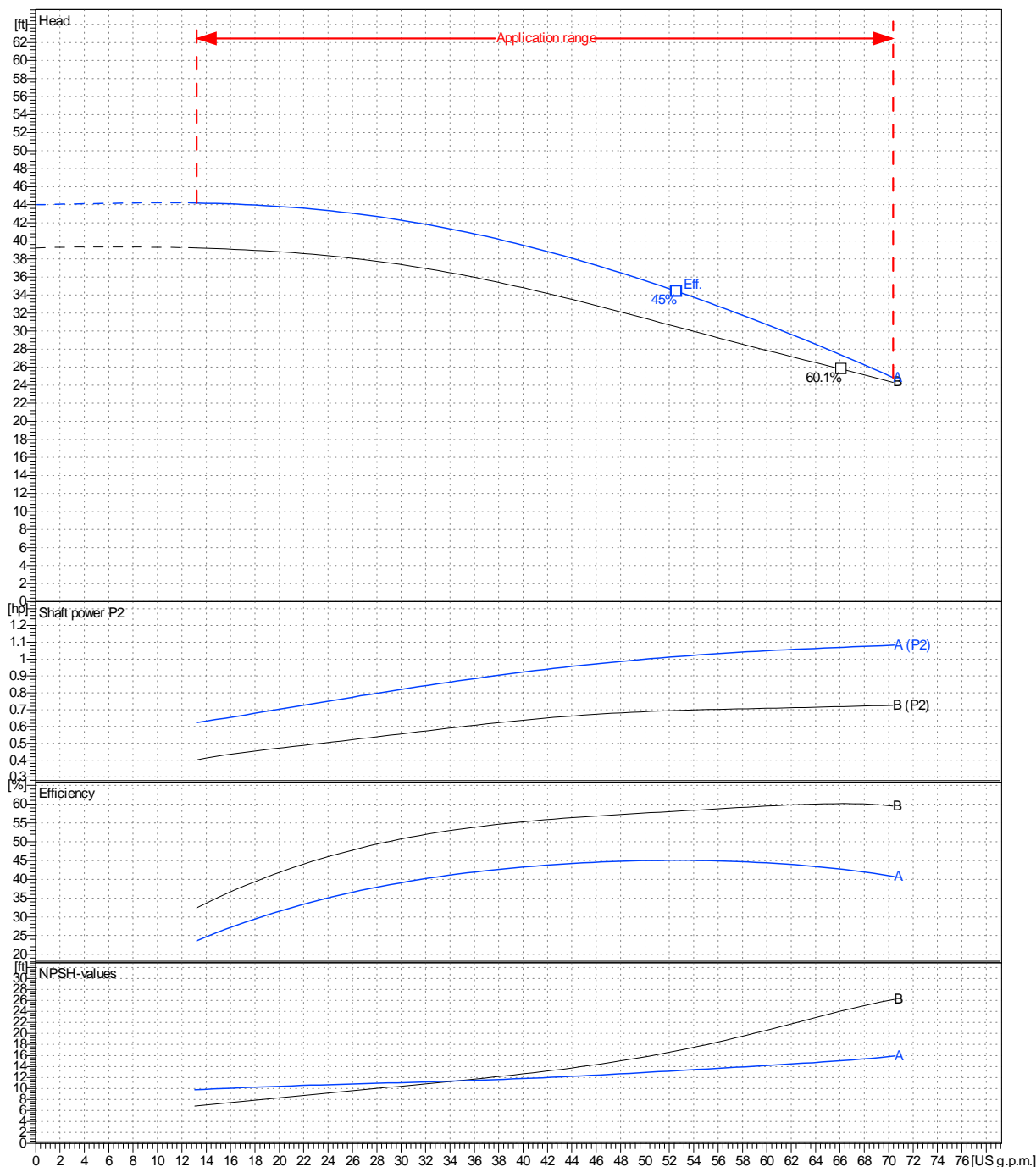
From

 Company name  
 Respons. Department  
 Person in charge  
 Phone number  
 Fax no  
 E-mail address

Operating area	Flow	Head	Impeller type	
Operating data specification	0 US g.p.m.	0 ft	Impeller construction	Closed
Pump data	US g.p.m.		Sense of rotation	Clockwise from the drive end
	ft		Outlet width	DN 32
	Flow		Speed	rpm 1800
	Min.	Max.	Frequency	Hz 60 Hz
	US g.p.m.	US g.p.m.		
	13.2	70.4		
	Head		Shaft power P2	
	H(Q=0)	$\eta$ Max.	P2(Q=0)	Max.
	ft	ft	hp	hp
	44	34.4	1.08	1.01

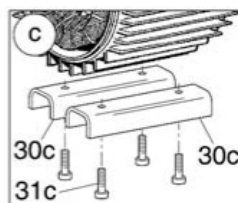
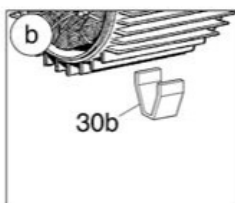
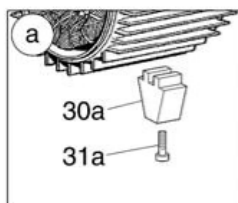
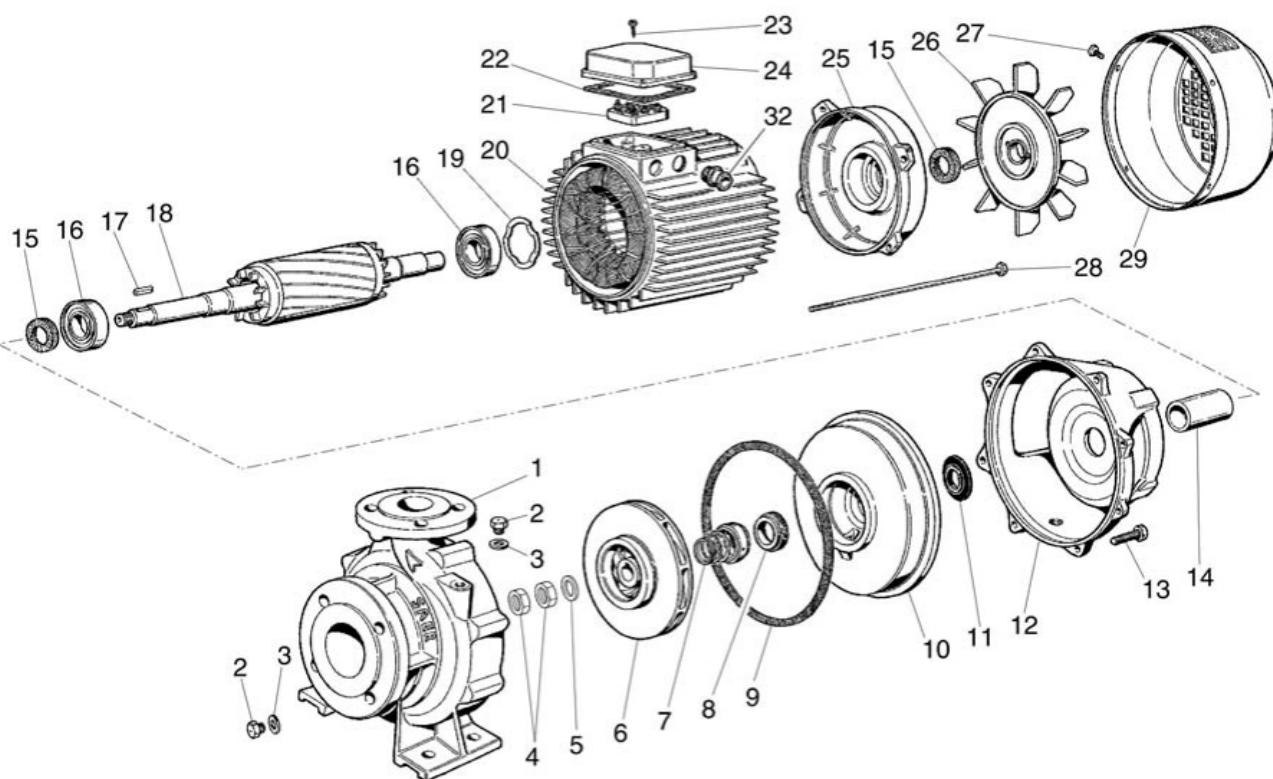
 Performance data based to: Water, pure [100%]; 68°F; 62.3lb/ft<sup>3</sup>; 1.08E-5ft<sup>2</sup>/s

UNI EN ISO 9906:2012 - Grade 3B



Project	Project ID	Created by	Created on	Last update
			2022-08-01	

Company name  
Respons. Department  
Person in charge  
Phone number  
Fax no  
E-mail address



Project

Project ID

Created by

Created on  
**2022-08-01**

Last update