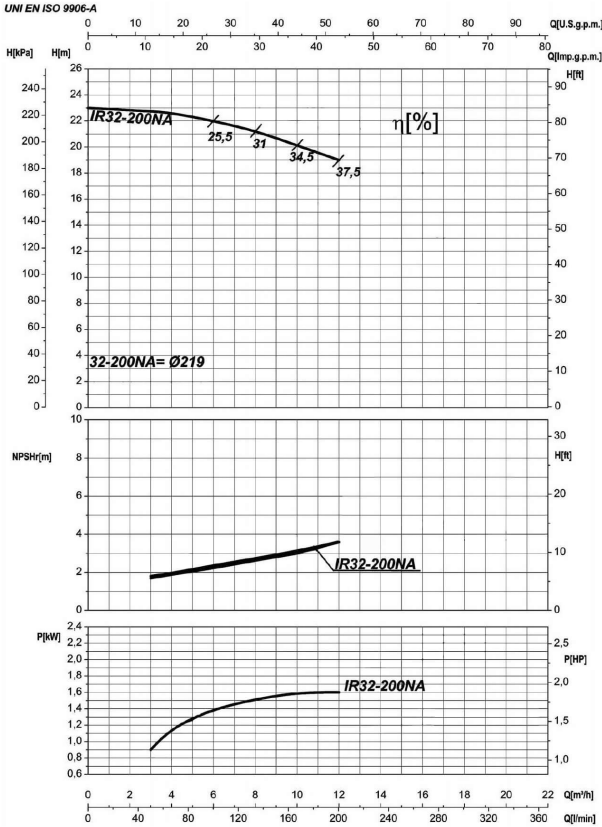


Company name
 Respons. Department
 Person in charge
 Phone number
 Fax no
 E-mail address

Receiver	From



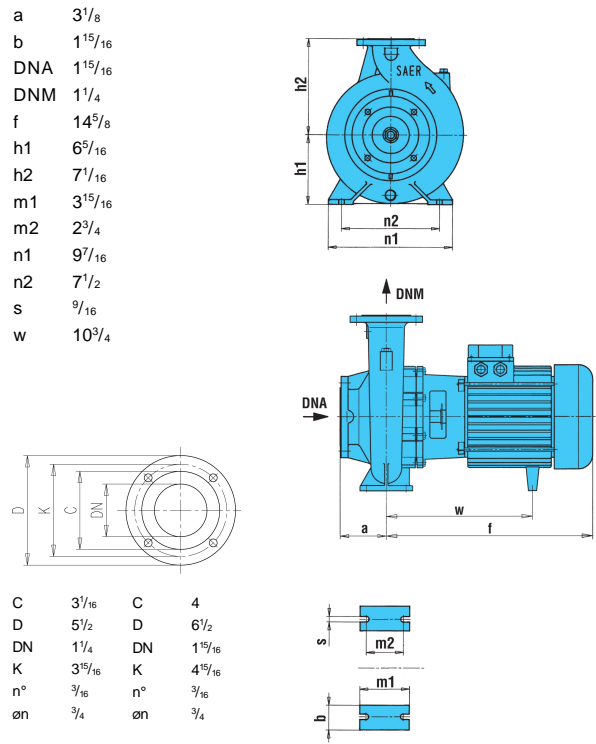
Pump		
Pump name	6IR4P 32-200NA	
Size	50/32/200	
Design		
Speed rpm	1800	
No of stages	1	
Impeller type		
Flow	Nominal	US g.p.m.
	Max-	US g.p.m. 52.9
	Min-	US g.p.m. 13.2
Head	Nominal	ft
	Max-	ft 74.6
	Min-	ft 62.1
Head H(Q=0)	ft 75.5	
NPSH 3%	ft	
Max. working pressure	psi 32.7	
Shaft power	hp	
Efficiency	%	
Max absorbed power	hp 2.2083	

Materials Pump

Shaft	Stainless steel AISI 431 (1.4057)
Impeller	Cast iron EN-GJL-250
Pump body	Cast iron EN-GJL-250
Seal disc	Cast iron EN-GJL-250
Gasket	Natural fiber
Mechanical seal	BVEG (Grafito/Ossido Allumina/EPDM)

Motor	Frame size	90 L		
Manufacturer / Type	SAER	MEC90L-4P-1.5		
Rated power	hp	2.0115	Efficiency 4/4	81 %
Electric current	A	7 A	Speed rpm	1800
Electric voltage	V	230V	3~	Hz 60
Starting mode	Unknown			
Degree of protection	IP 55	Insulation class	F	

Dimensions in inch



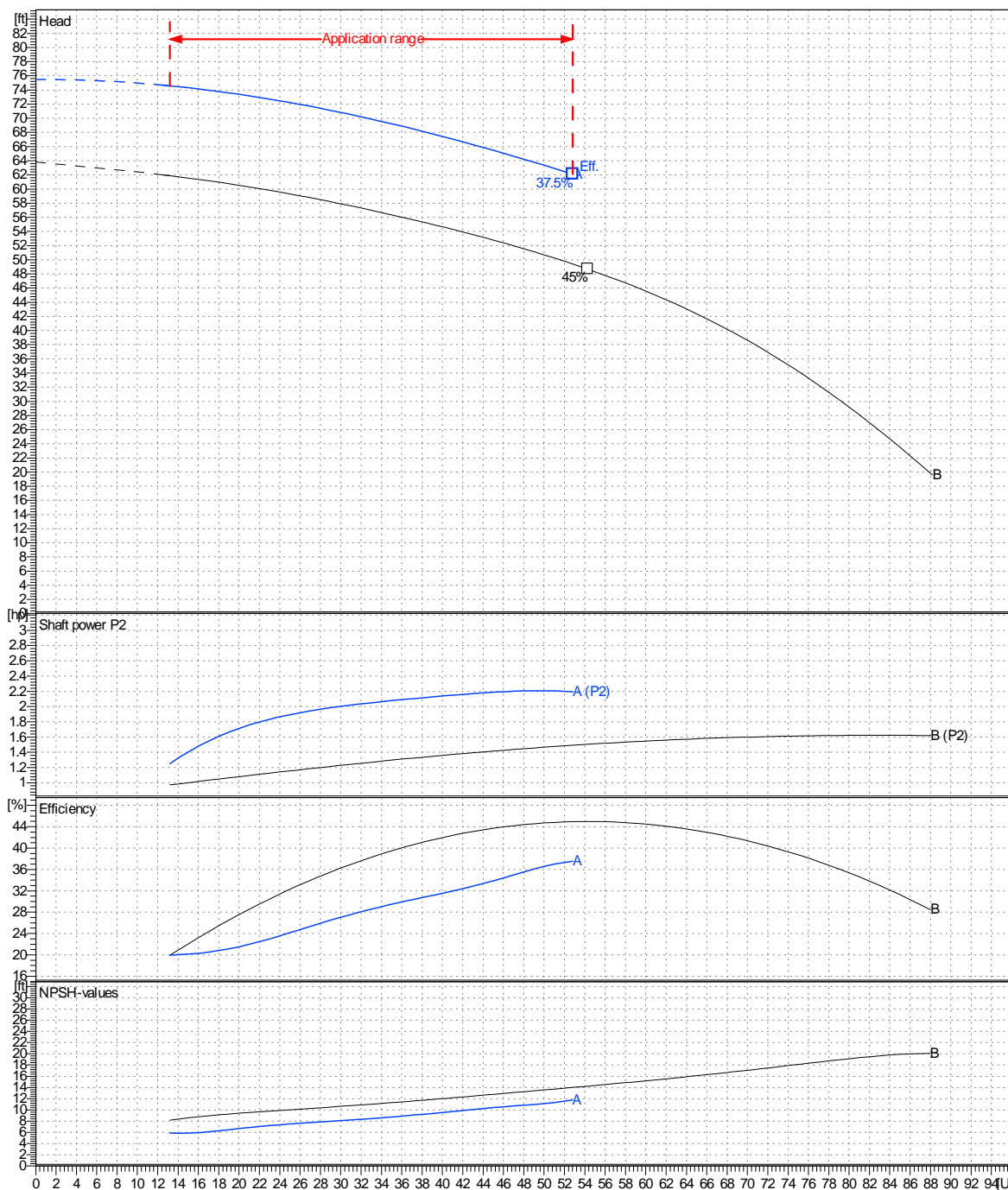
Remarks:	
Project	Project ID
Created by	Created on
	8/10/2022
	Last update

	Receiver	From
Company name		
Respons. Department		
Person in charge		
Phone number		
Fax no		
E-mail address		

Operating area	Flow	Head	Impeller type
Operating data specification	0 US g.p.m.	0 ft	Impeller construction: Closed
			Sense of rotation: Clockwise from the drive end
Pump data	US g.p.m.	ft	Outlet width: DN 32
	Min. Max. η Max.	H(Q=0) η Max.	Speed rpm: 1800
	US g.p.m. US g.p.m. US g.p.m.	ft ft	Frequency Hz: 60 Hz
	13.2 52.8 52.8	75.5 62.1	
		P2(Q=0) Max. η Max.	
		hp hp hp	
		2.21 2.2	

Performance data based to: Water, pure [100%]; 68°F; 62.3lb/ft³; 1.08E-5ft²/s

UNI EN ISO 9906:2012 - Grade 3B



Project	Project ID	Created by	Created on	Last update
			8/10/2022	

Company name
Respons. Department
Person in charge
Phone number
Fax no
E-mail address

