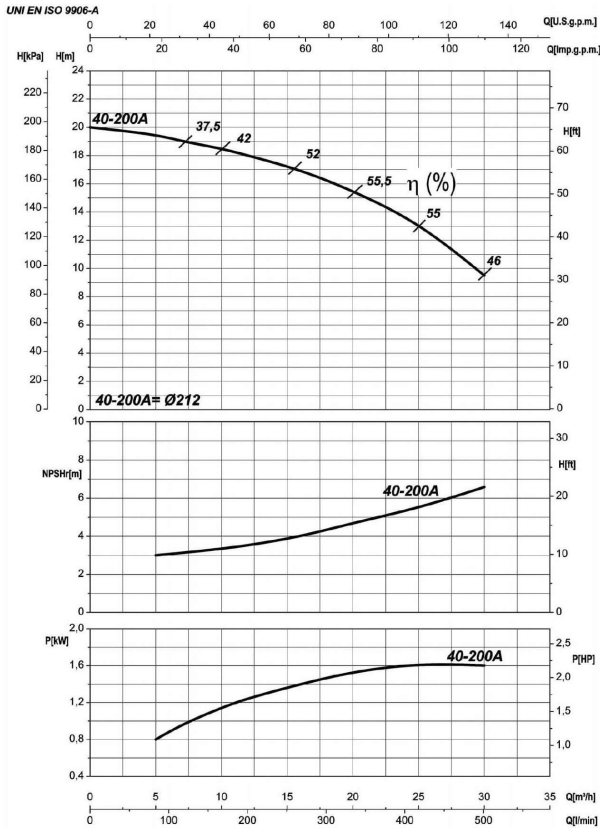


Company name
 Respons. Department
 Person in charge
 Phone number
 Fax no
 E-mail address

Receiver

From



Operating data specification

Nominal flow	US g.p.m. 0
Nominal head	ft 0
Static head	ft 0
NPSH - v value of plant	ft 0
Inlet pressure	psi 1.42
Fluid	Water, pure
Operating temperature t A	°F 68
Density at t A	lb/ft³ 62.32
Kin. viscosity at t A	ft²/s 1.082E-5

Pump		
Pump name	6IR4P 40-200A	
Size	65/40/200	
Design		
Speed rpm	1800	
No of stages	1	
Impeller type		
Flow	Nominal	US g.p.m.
	Max-	US g.p.m. 132
	Min-	US g.p.m. 22
Head	Nominal	ft
	Max-	ft 63.6
	Min-	ft 31.6
Head H(Q=0)	ft 65.6	
NPSH 3%	ft	
Max. working pressure	psi 28.4	
Shaft power	hp	
Efficiency	%	
Max absorbed power	hp 2.1491	

Materials Pump

Shaft	Stainless steel AISI 431 (1.4057)		
Impeller	Cast iron EN-GJL-250		
Pump body	Cast iron EN-GJL-250		
Seal disc	Cast iron EN-GJL-250		
Gasket	Natural fiber		
Mechanical seal	BVEG (Grafito/Ossido Allumina/EPDM)		

Dimensions in inch

a	3 ¹⁵ / ₁₆
b	1 ¹⁵ / ₁₆
DNA	2 ⁹ / ₁₆
DNM	1 ⁹ / ₁₆
f	14 ⁵ / ₈
h1	6 ⁵ / ₁₆
h2	7 ¹ / ₁₆
m1	3 ¹⁵ / ₁₆
m2	2 ³ / ₄
n1	10 ⁷ / ₁₆
n2	8 ³ / ₈
s	9 ¹ / ₁₆
w	10 ³ / ₄

C	3 ⁷ / ₁₆	C	4 ¹³ / ₁₆
D	5 ⁷ / ₈	D	7 ⁵ / ₁₆
DN	1 ⁹ / ₁₆	DN	2 ⁹ / ₁₆
K	4 ⁵ / ₁₆	K	5 ¹ / ₁₆
n°	3 ⁷ / ₁₆	n°	3 ⁷ / ₁₆
ø n	3 ⁷ / ₄	ø n	3 ⁷ / ₄

Motor	Frame size	90 L		
Manufacturer / Type	SAER	MEC90L-4P-1.5		
Rated power	hp	2.0115	Efficiency 4/4	81 %
Electric current	A	21/10.5 A	Speed	rpm 1800
Electric voltage	V	115/230V	1~	Hz 60
Starting mode	Unknown			
Degree of protection	IP 55	Insulation class	F	

Remarks:

Project	Project ID	Created by	Created on	Last update
			2022-08-01	

Receiver

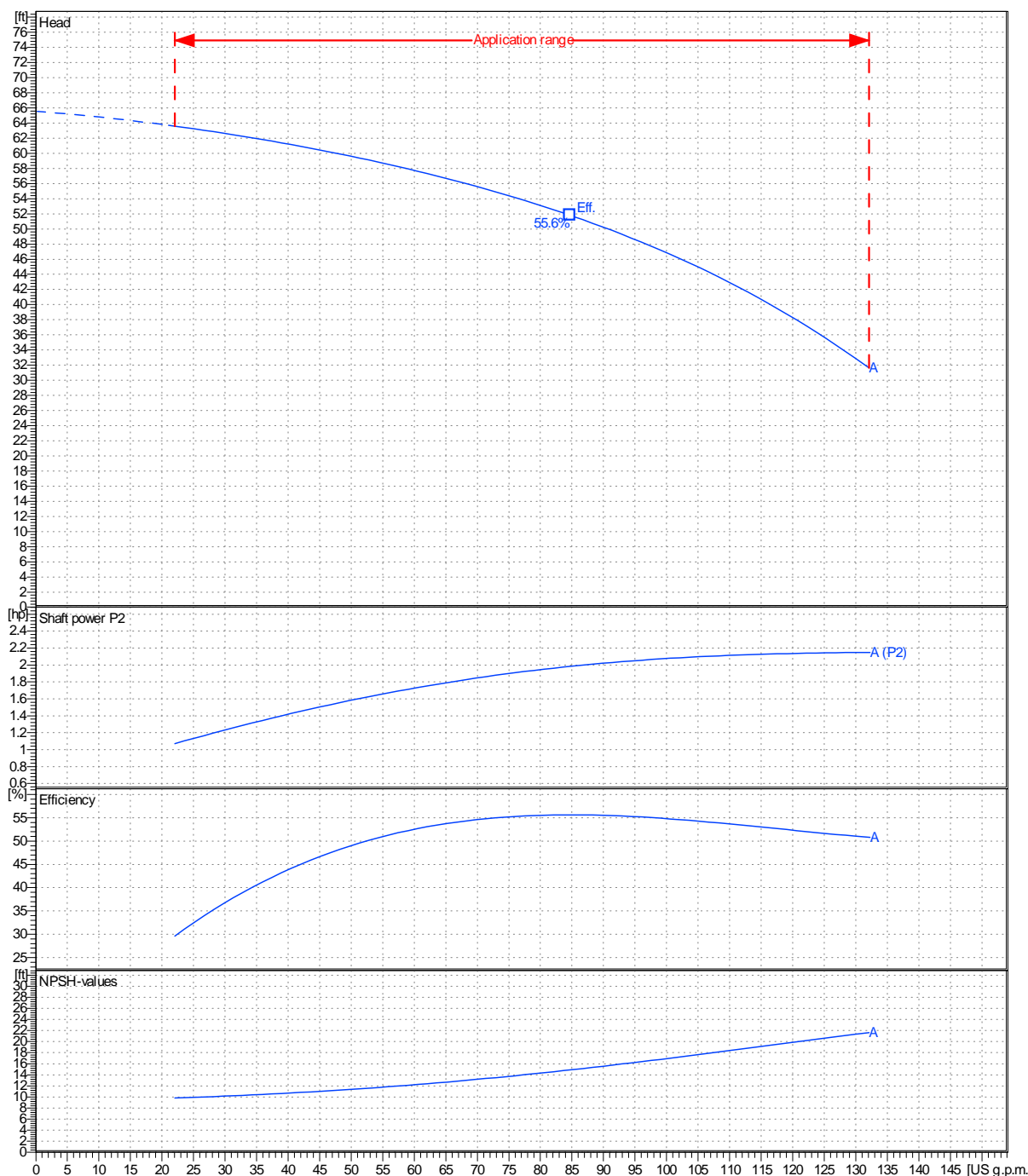
From

 Company name
 Respons. Department
 Person in charge
 Phone number
 Fax no
 E-mail address

Operating area	Flow	Head	Impeller type	
Operating data specification	0 US g.p.m.	0 ft	Impeller construction	Closed
Pump data	US g.p.m.		Sense of rotation	Clockwise from the drive end
	ft		Outlet width	DN 40
	Flow		Speed	rpm 1800
	Min.	Max.	Frequency	Hz 60 Hz
	US g.p.m.	US g.p.m.		
	22	132		
	η Max.	H(Q=0)	η Max.	
	84.7	65.6	51.8	
	Shaft power P2			
	P2(Q=0)	Max.	η Max.	
	hp	hp	hp	
		2.15	1.98	

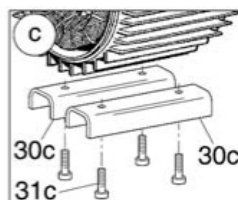
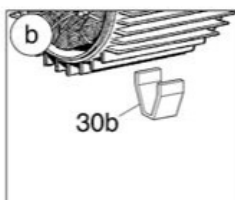
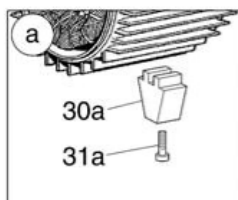
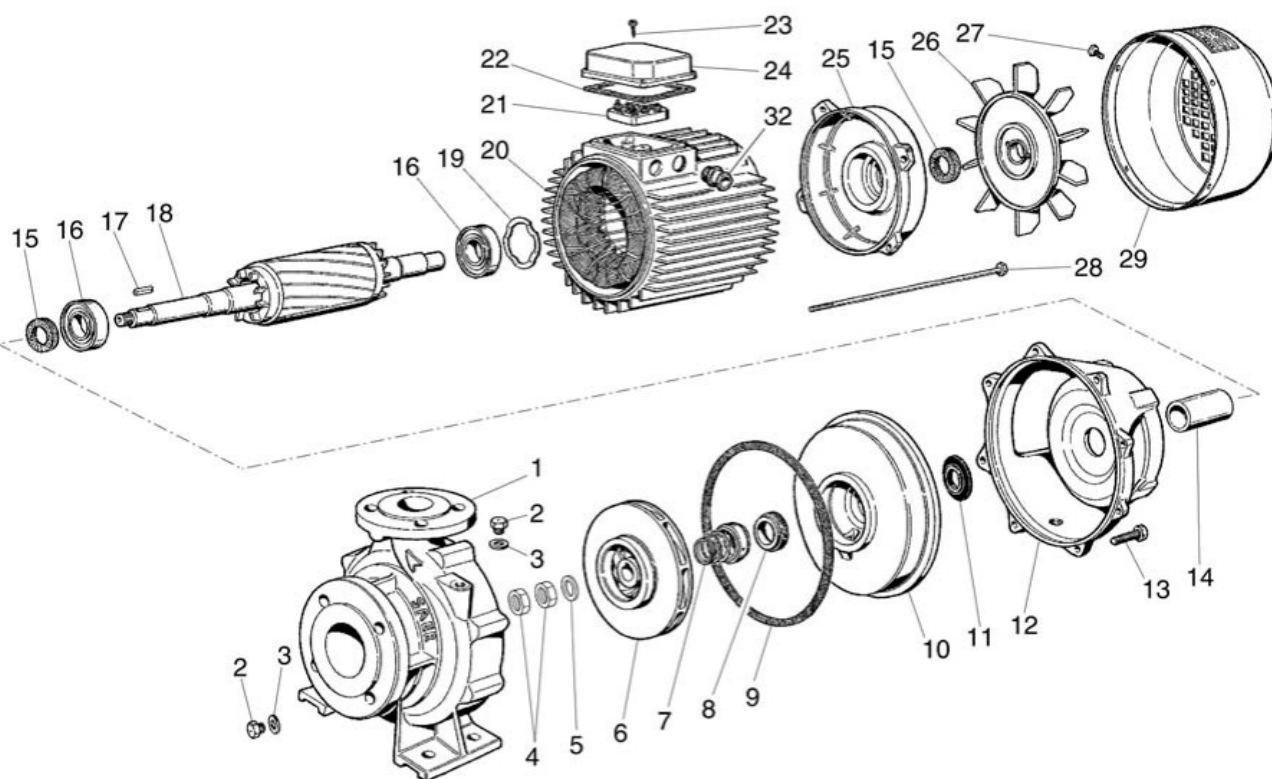
 Performance data based to: Water, pure [100%]; 68°F; 62.3lb/ft³; 1.08E-5ft²/s

UNI EN ISO 9906:2012 - Grade 3B



Project	Project ID	Created by	Created on	Last update
			2022-08-01	

Company name
Respons. Department
Person in charge
Phone number
Fax no
E-mail address



Project

Project ID

Created by

Created on
2022-08-01

Last update