

Receiver

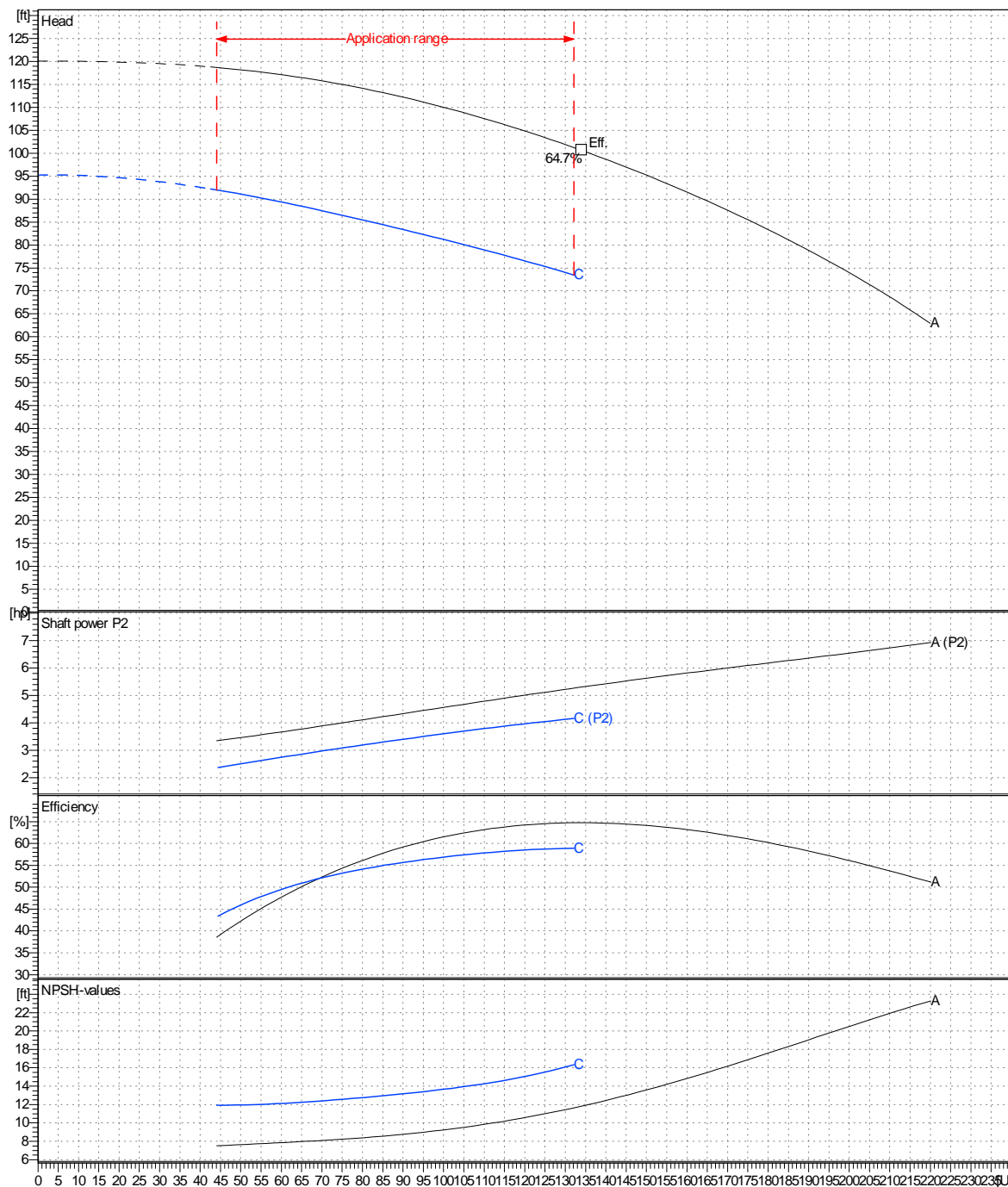
From

 Company name
 Respons. Department
 Person in charge
 Phone number
 Fax no
 E-mail address

Operating area	Flow	Head	Impeller type
Operating data specification	0 US g.p.m.	0 ft	Impeller construction Closed
Pump data	US g.p.m.	ft	Sense of rotation Clockwise from the drive end
			Outlet width DN 40
	Min.	Max.	Speed
	US g.p.m.	US g.p.m.	rpm
	44	132	1800
	Max. η	H(Q=0)	Frequency
	132	95.3	Hz
	Max. η	Max. P2(Q=0)	
	73.4	4.16	
	Max. η	Max. η	
		4.16	

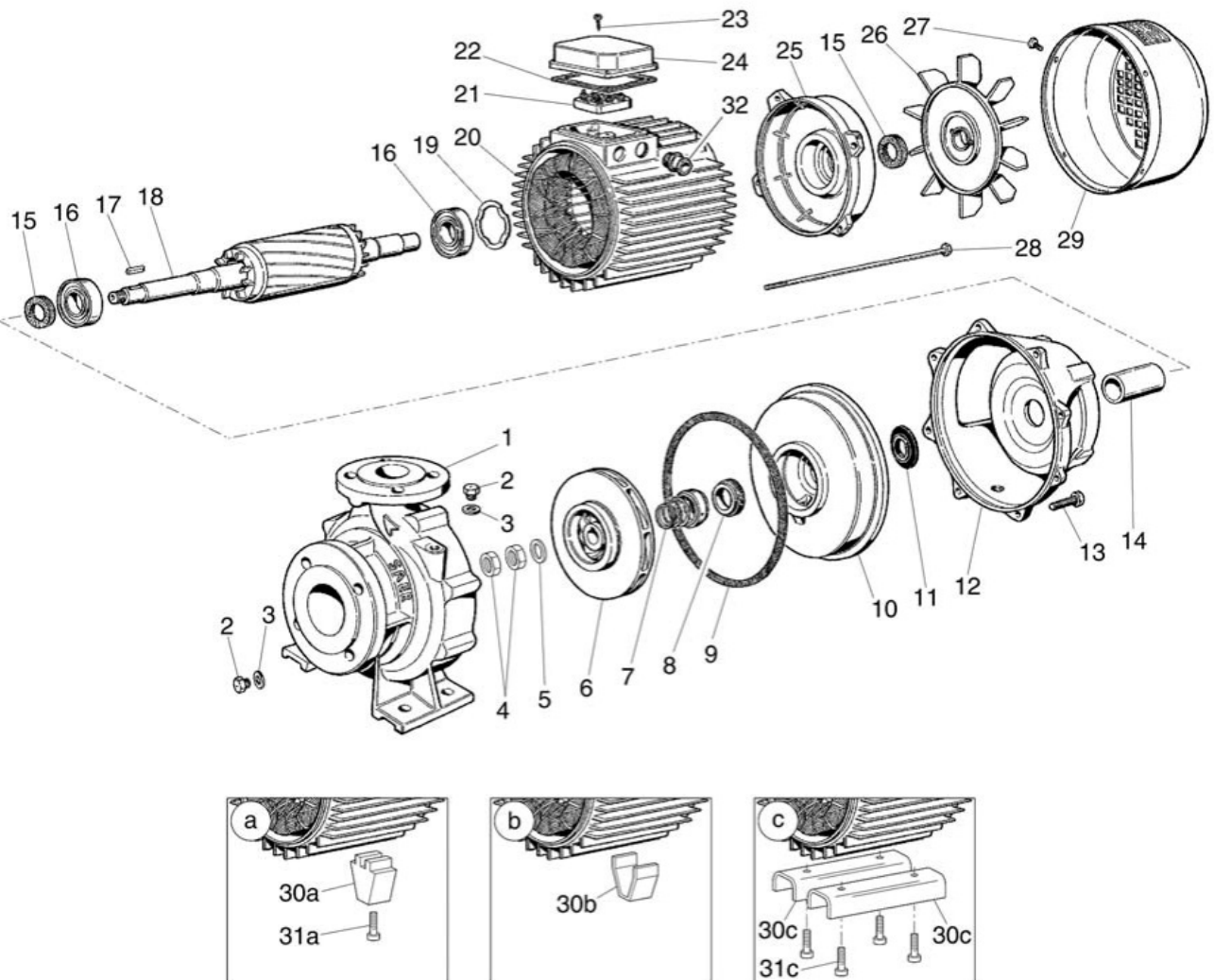
 Performance data based to: Water, pure [100%]; 68°F; 62.3lb/ft³; 1.08E-5ft²/s

UNI EN ISO 9906:2012 - Grade 3B



Project	Project ID	Created by	Created on	Last update
			2022-08-01	

Company name
Respons. Department
Person in charge
Phone number
Fax no
E-mail address



Project

Project ID

Created by

Created on
2022-08-01

Last update