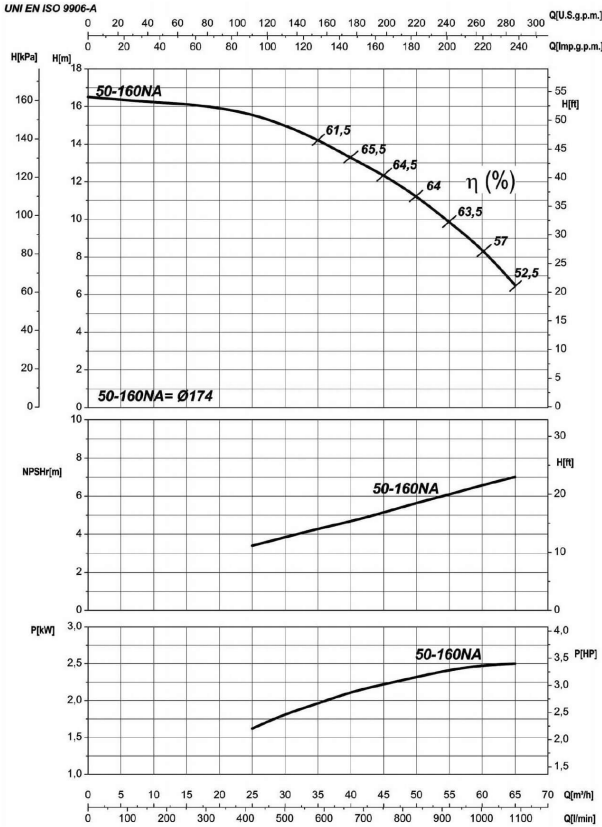


Company name
 Respons. Department
 Person in charge
 Phone number
 Fax no
 E-mail address

Receiver	From



Operating data specification

Nominal flow	US g.p.m. 0
Nominal head	ft 0
Static head	ft 0
NPSH - v value of plant	ft 0
Inlet pressure	psi 1.42
Fluid	Water, pure
Operating temperature t A	°F 68
Density at t A	lb/ft³ 62.32
Kin. viscosity at t A	ft²/s 1.082E-5

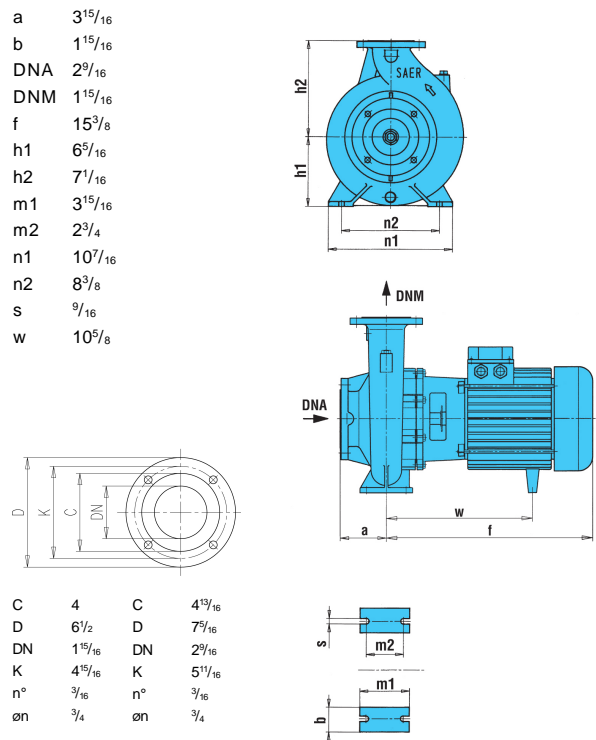
Pump		6IR4P 50-160NA	
Pump name	6IR4P 50-160NA		
Size	65/50/160		
Design			
Speed rpm	1800	No of stages	1
Impeller type			
Flow	Nominal	US g.p.m.	
	Max-	US g.p.m. 286	
	Min-	US g.p.m. 110	
Head	Nominal	ft	
	Max-	ft 50.6	
	Min-	ft 21.7	
Head H(Q=0)	ft 53.9		
NPSH 3%	ft		
Max. working pressure	psi 23.3		
Shaft power	hp		
Efficiency	%		
Max absorbed power	hp 3.335		

Materials Pump

Shaft	Stainless steel AISI 431 (1.4057)		
Impeller	Cast iron EN-GJL-250		
Pump body	Cast iron EN-GJL-250		
Seal disc	Cast iron EN-GJL-250		
Gasket	Natural fiber		
Mechanical seal	BVEG (Grafito/Ossido Allumina/EPDM)		

Motor	Frame size	100 L		
Manufacturer / Type	SAER	MEC100L-4P-3		
Rated power	hp	4.0231	Efficiency 4/4	84 %
Electric current	A	12 A	Speed rpm	1800
Electric voltage	V	230V	3~	Hz 60
Starting mode	Unknown			
Degree of protection	IP 55	Insulation class	F	

Dimensions in inch



Remarks:				
Project	Project ID	Created by	Created on	Last update
			8/10/2022	

Receiver

From

 Company name
 Respons. Department
 Person in charge
 Phone number
 Fax no
 E-mail address

Operating area

Flow

Head

Impeller type

Operating data specification

0 US g.p.m.

0 ft

Impeller construction

Closed

Pump data

US g.p.m.

ft

Sense of rotation

Clockwise from the drive end

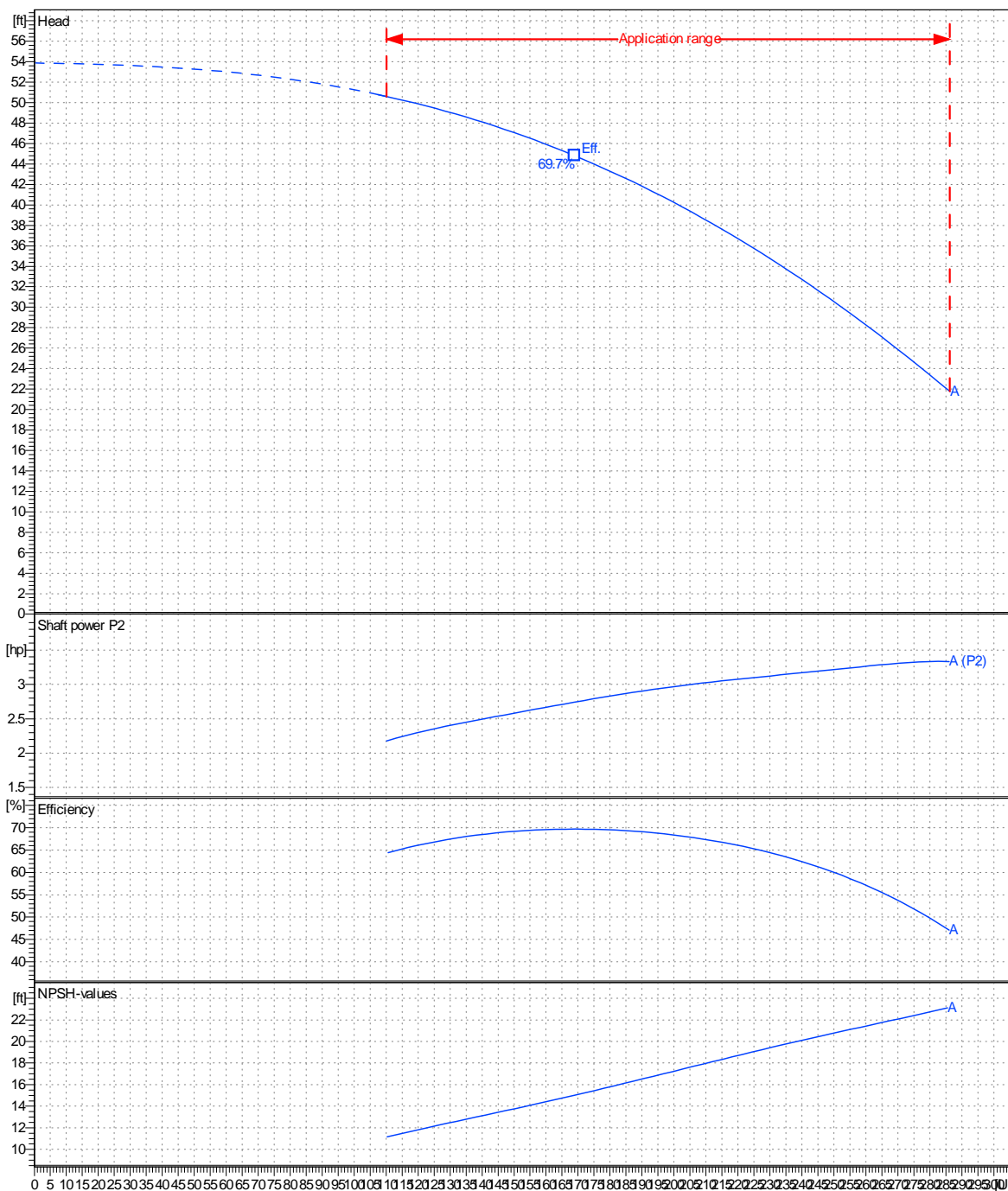
Outlet width

DN 50

	Flow			Head		Shaft power P2			Speed	
	Min.	Max.	η Max.	H(Q=0)	η Max.	P2(Q=0)	Max.	η Max.	rpm	1800
	US g.p.m.	US g.p.m.	US g.p.m.	ft	ft	hp	hp	hp	Hz	60 Hz
	110	286	169	53.9	44.8		3.34	2.74		

 Performance data based to: Water, pure [100%]; 68°F; 62.3lb/ft³; 1.08E-5ft²/s

UNI EN ISO 9906:2012 - Grade 3B



Project

Project ID

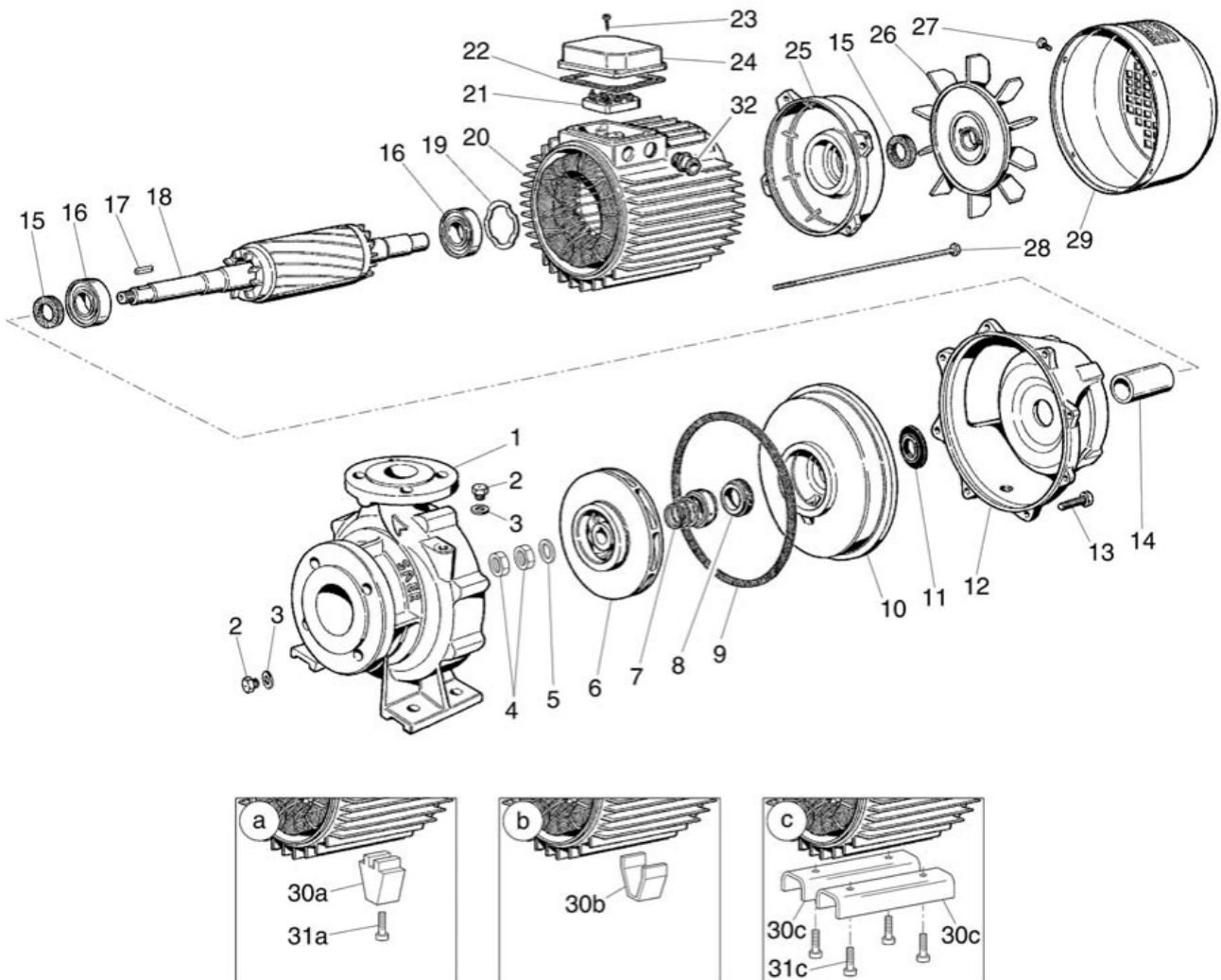
Created by

Created on

Last update

8/10/2022

Company name
Respons. Department
Person in charge
Phone number
Fax no
E-mail address



Project

Project ID

Created by

Created on
8/10/2022

Last update