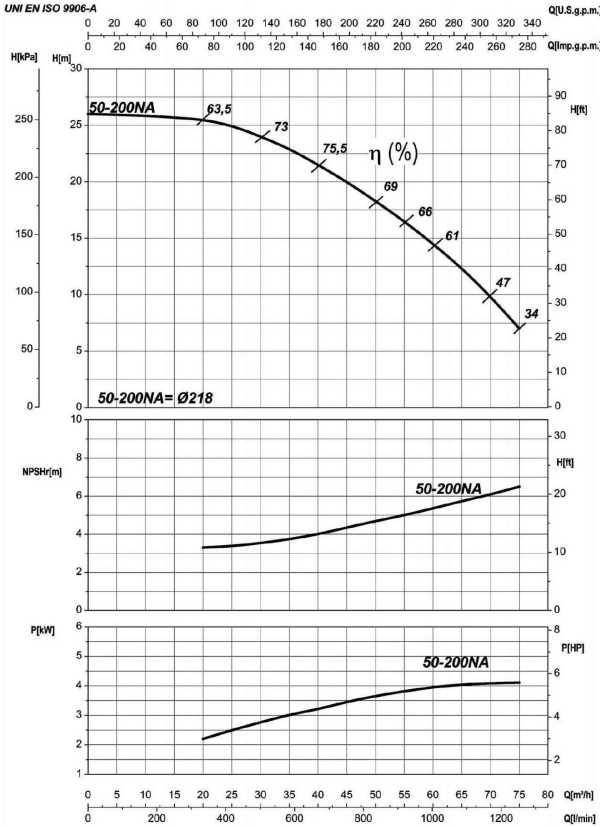


Company name
 Respons. Department
 Person in charge
 Phone number
 Fax no
 E-mail address

Receiver	From



Operating data specification

Nominal flow	US g.p.m. 0
Nominal head	ft 0
Static head	ft 0
NPSH - v value of plant	ft 0
Inlet pressure	psi 1.42
Fluid	Water, pure
Operating temperature t A	°F 68
Density at t A	lb/ft³ 62.32
Kin. viscosity at t A	ft²/s 1.082E-5

Pump

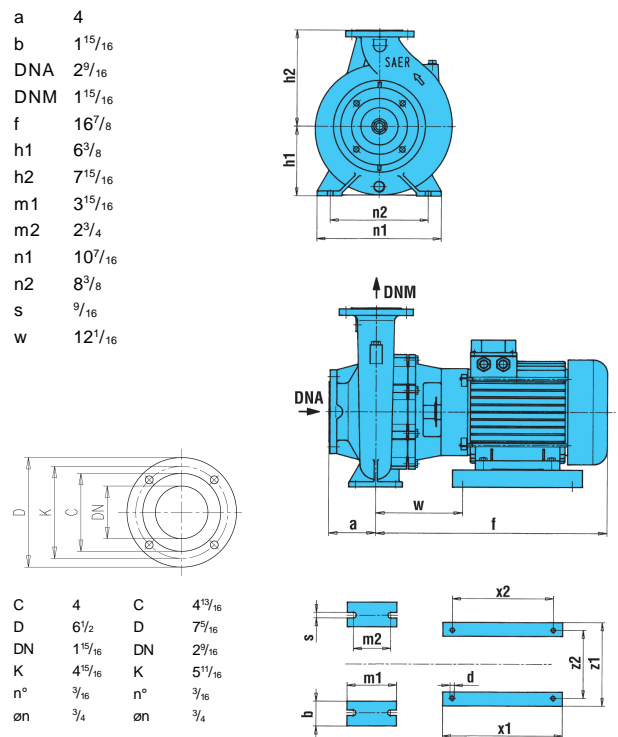
Pump name		6IR4P 50-200NA	
Size		65/50/200	
Design		No of stages	1
Speed	rpm 1800		
Impeller type			
Flow	Nominal	US g.p.m.	
	Max-	US g.p.m.	330
	Min-	US g.p.m.	88.1
Head	Nominal	ft	
	Max-	ft	83
	Min-	ft	23.5
Head H(Q=0)		ft	85.2
NPSH 3%		ft	
Max. working pressure		psi	36.9
Shaft power		hp	
Efficiency		%	
Max absorbed power		hp	5.5877

Materials Pump

Shaft	Stainless steel AISI 431 (1.4057)		
Impeller	Cast iron EN-GJL-250		
Pump body	Cast iron EN-GJL-250		
Seal disc	Cast iron EN-GJL-250		
Gasket	Natural fiber		
Mechanical seal	BVEG (Grafito/Ossido Allumina/EPDM)		

Motor	Frame size	112 M		
Manufacturer / Type	SAER	MEC112M-4P-4		
Rated power	hp 5.3641	Efficiency 4/4	85 %	
Electric current	A 14.4 A	Speed	rpm 1800	
Electric voltage	V 230V	3~	Hz 60	
Starting mode	Unknown			
Degree of protection	IP 55	Insulation class	F	

Dimensions in inch



Remarks:				
Project	Project ID	Created by	Created on	Last update
			2022-08-01	

Receiver

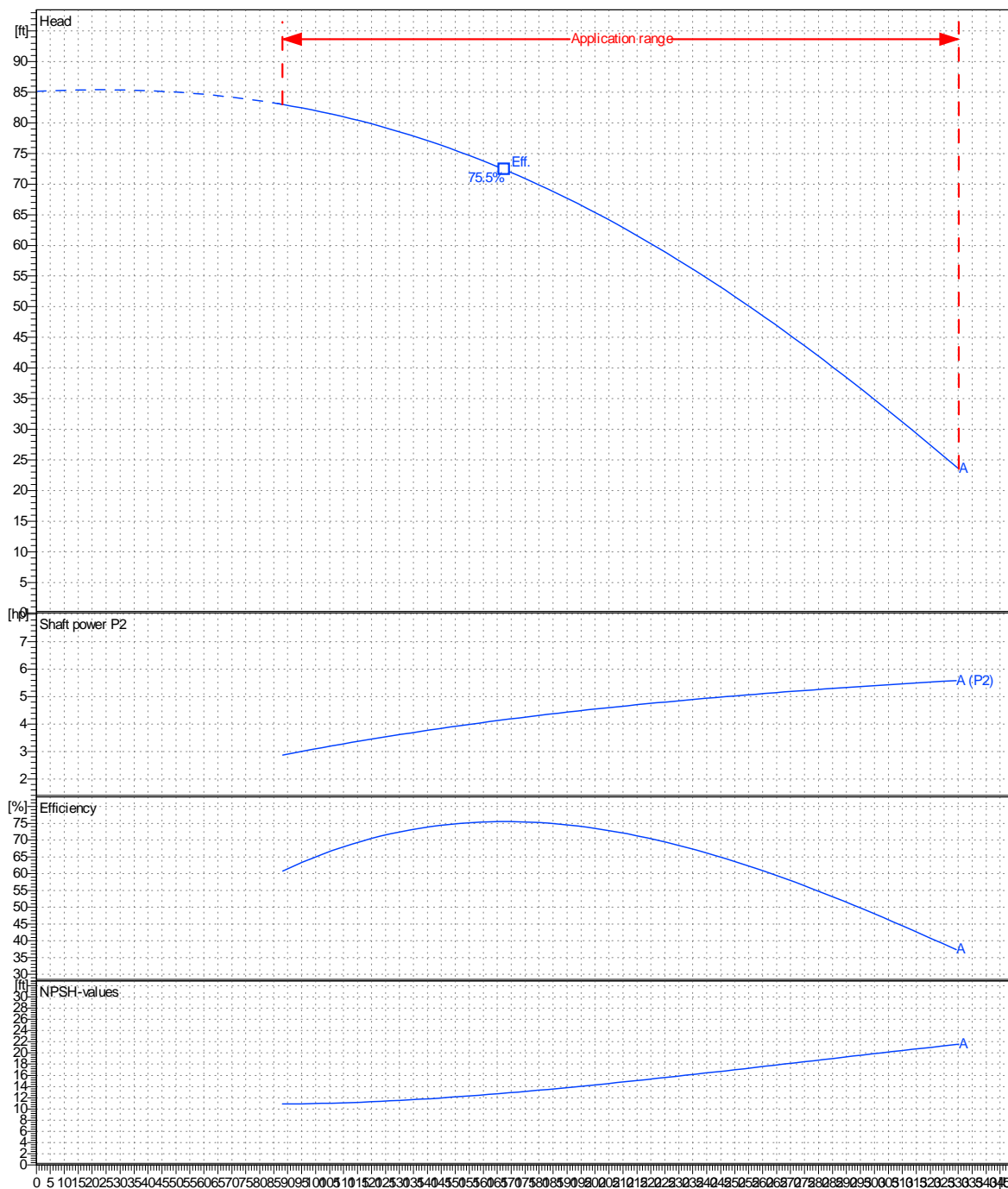
From

 Company name
 Respons. Department
 Person in charge
 Phone number
 Fax no
 E-mail address

Operating area	Flow	Head	Impeller type	
Operating data specification	0 US g.p.m.	0 ft	Impeller construction	Closed
Pump data	US g.p.m.		Sense of rotation	Clockwise from the drive end
	ft		Outlet width	DN 50
	Flow		Speed	
	Min.	Max.	rpm	1800
	US g.p.m.	US g.p.m.	Hz	60 Hz
	Max. η	H(Q=0)	Shaft power P2	
	US g.p.m.	ft	P2(Q=0)	Max. η
	168	85.2	hp	hp
		72.4	5.59	4.16

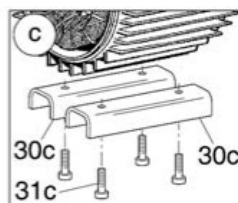
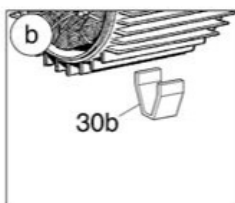
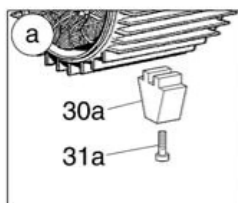
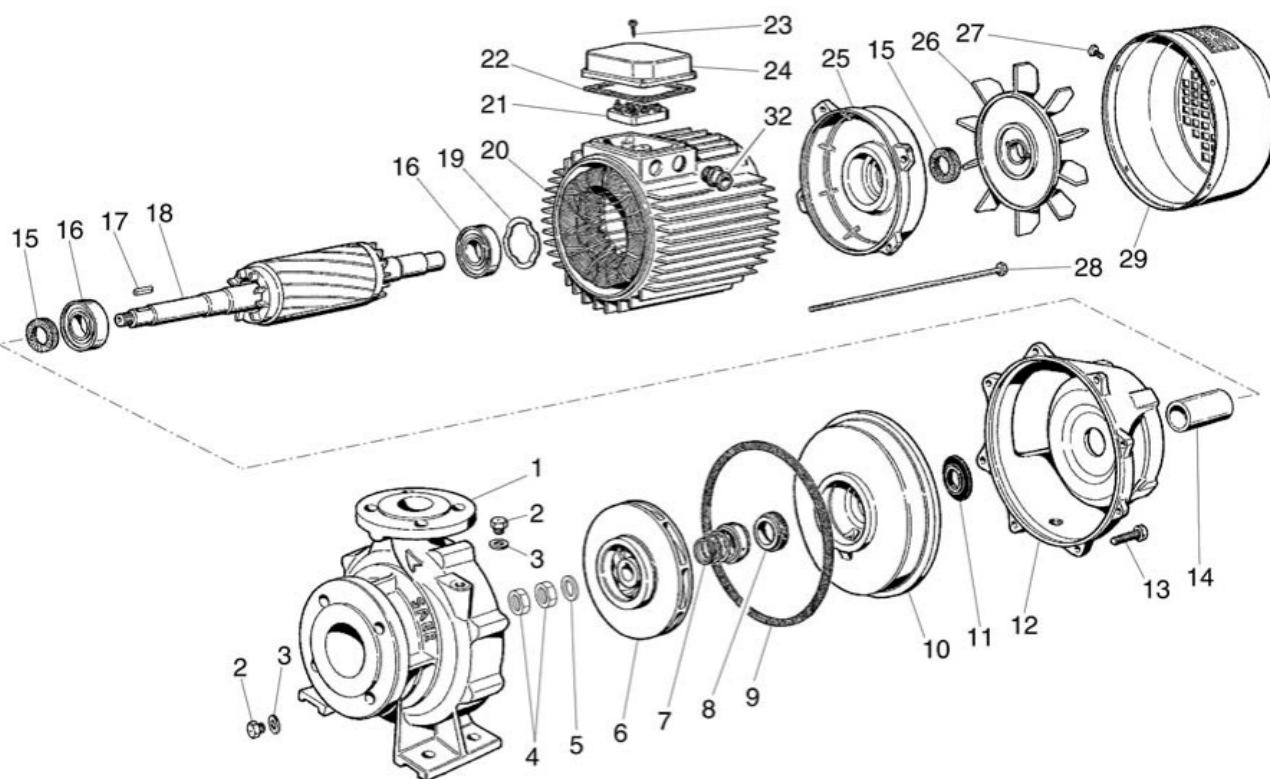
 Performance data based to: Water, pure [100%]; 68°F; 62.3lb/ft³; 1.08E-5ft²/s

UNI EN ISO 9906:2012 - Grade 3B



Project	Project ID	Created by	Created on	Last update
			2022-08-01	

Company name
Respons. Department
Person in charge
Phone number
Fax no
E-mail address



Project

Project ID

Created by

Created on
2022-08-01

Last update