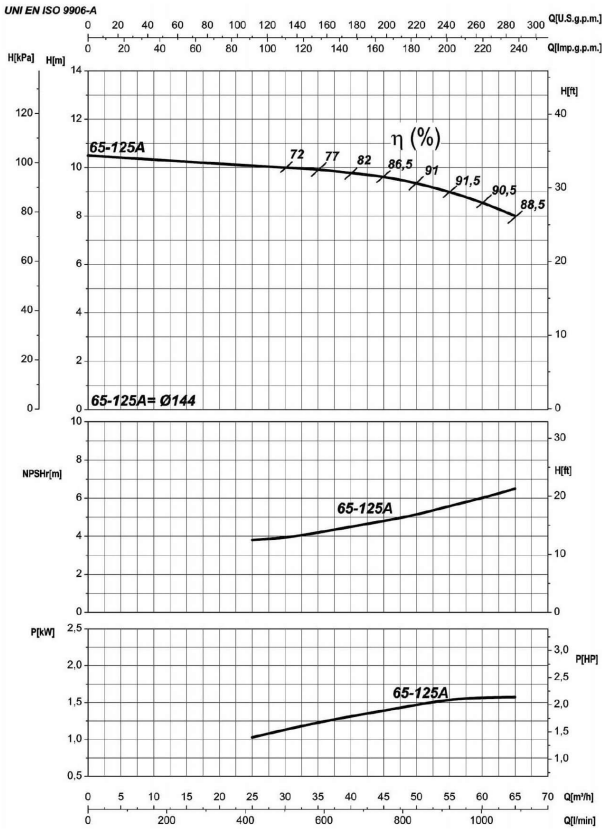


Company name  
 Respons. Department  
 Person in charge  
 Phone number  
 Fax no  
 E-mail address

| Receiver | From |
|----------|------|
|          |      |
|          |      |
|          |      |
|          |      |
|          |      |



### Operating data specification

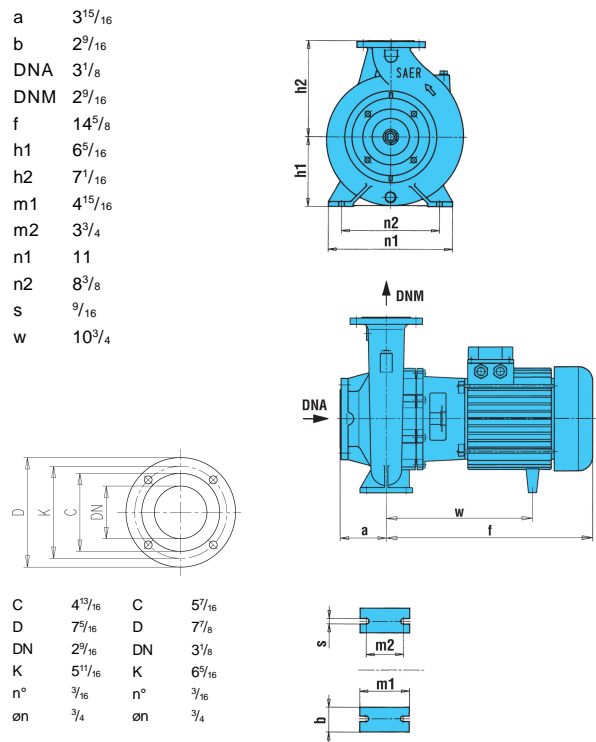
|                           |                |
|---------------------------|----------------|
| Nominal flow              | US g.p.m. 0    |
| Nominal head              | ft 0           |
| Static head               | ft 0           |
| NPSH - v value of plant   | ft 0           |
| Inlet pressure            | psi 1.42       |
| Fluid                     | Water, pure    |
| Operating temperature t A | °F 68          |
| Density at t A            | lb/ft³ 62.32   |
| Kin. viscosity at t A     | ft²/s 1.082E-5 |

| Pump                  |               | 6IR4P 65-125A |   |
|-----------------------|---------------|---------------|---|
| Pump name             | 6IR4P 65-125A |               |   |
| Size                  | 80/65/125     |               |   |
| Design                |               |               |   |
| Speed rpm             | 1800          | No of stages  | 1 |
| Impeller type         |               |               |   |
| Flow                  | Nominal       | US g.p.m.     |   |
|                       | Max-          | US g.p.m. 286 |   |
|                       | Min-          | US g.p.m. 110 |   |
| Head                  | Nominal       | ft            |   |
|                       | Max-          | ft 33         |   |
|                       | Min-          | ft 26.1       |   |
| Head H(Q=0)           | ft 34.3       |               |   |
| NPSH 3%               | ft            |               |   |
| Max. working pressure | psi 14.8      |               |   |
| Shaft power           | hp            |               |   |
| Efficiency            | %             |               |   |
| Max absorbed power    | hp 2.139      |               |   |

### Materials Pump

|                 |                                     |  |  |
|-----------------|-------------------------------------|--|--|
| Shaft           | Stainless steel AISI 431 (1.4057)   |  |  |
| Impeller        | Cast iron EN-GJL-250                |  |  |
| Pump body       | Cast iron EN-GJL-250                |  |  |
| Seal disc       | Cast iron EN-GJL-250                |  |  |
| Gasket          | Natural fiber                       |  |  |
| Mechanical seal | BVEG (Grafito/Ossido Allumina/EPDM) |  |  |
|                 |                                     |  |  |
|                 |                                     |  |  |
|                 |                                     |  |  |
|                 |                                     |  |  |
|                 |                                     |  |  |
|                 |                                     |  |  |
|                 |                                     |  |  |
|                 |                                     |  |  |

### Dimensions in inch



| Motor                |         | Frame size | 90 L             |          |
|----------------------|---------|------------|------------------|----------|
| Manufacturer / Type  |         | SAER       | MEC90L-4P-1.5    |          |
| Rated power          | hp      | 2.0115     | Efficiency 4/4   | 81 %     |
| Electric current     | A       | 21/10.5 A  | Speed            | rpm 1800 |
| Electric voltage     | V       | 115/230V   | 1~               | Hz 60    |
| Starting mode        | Unknown |            |                  |          |
| Degree of protection | IP 55   |            | Insulation class | F        |

|          |            |            |            |             |
|----------|------------|------------|------------|-------------|
| Remarks: |            |            |            |             |
| Project  | Project ID | Created by | Created on | Last update |
|          |            |            | 2022-08-01 |             |

Receiver

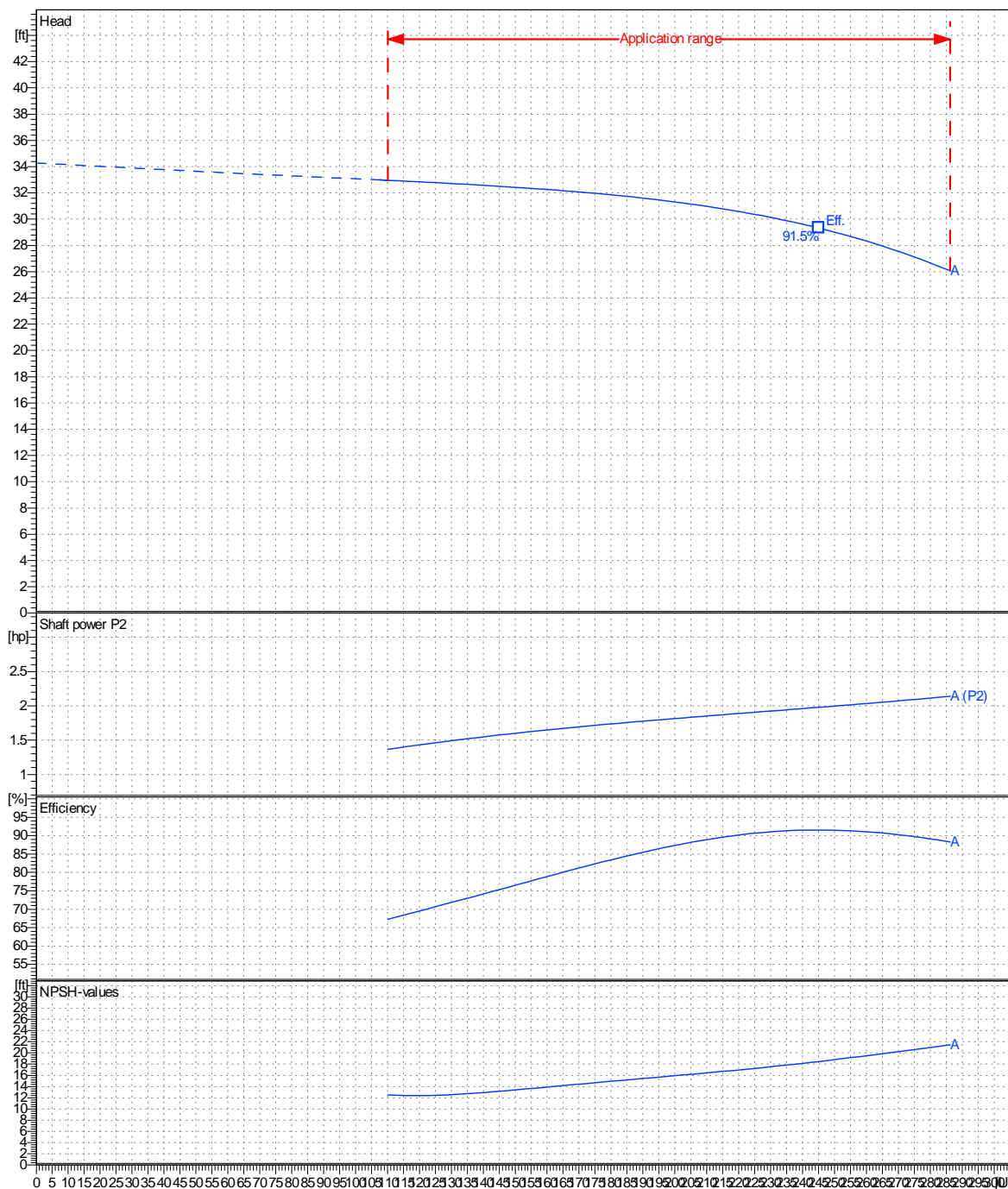
From

 Company name  
 Respons. Department  
 Person in charge  
 Phone number  
 Fax no  
 E-mail address

|                              |                               |                    |   |
|------------------------------|-------------------------------|--------------------|---|
| Operating area               | Flow                          | Head               | Impeller type                                     |
| Operating data specification | 0 US g.p.m.                   | 0 ft               | Impeller construction<br>Closed                   |
| Pump data                    | US g.p.m.                     | ft                 | Sense of rotation<br>Clockwise from the drive end |
|                              |                               |                    | Outlet width<br>DN 65                             |
|                              | Flow                          | Head               | Shaft power P2                                    |
|                              | Min. Max. $\eta$ Max.         | H(Q=0) $\eta$ Max. | P2(Q=0) Max. $\eta$ Max.                          |
|                              | US g.p.m. US g.p.m. US g.p.m. | ft ft              | hp hp hp  |
|                              | 110 286 245                   | 34.3 29.3          | 2.14 1.98   |
|                              |                               |                    | Speed rpm 1800                                    |
|                              |                               |                    | Frequency Hz 60 Hz                                |

 Performance data based to: Water, pure [100%]; 68°F; 62.3lb/ft<sup>3</sup>; 1.08E-5ft<sup>2</sup>/s

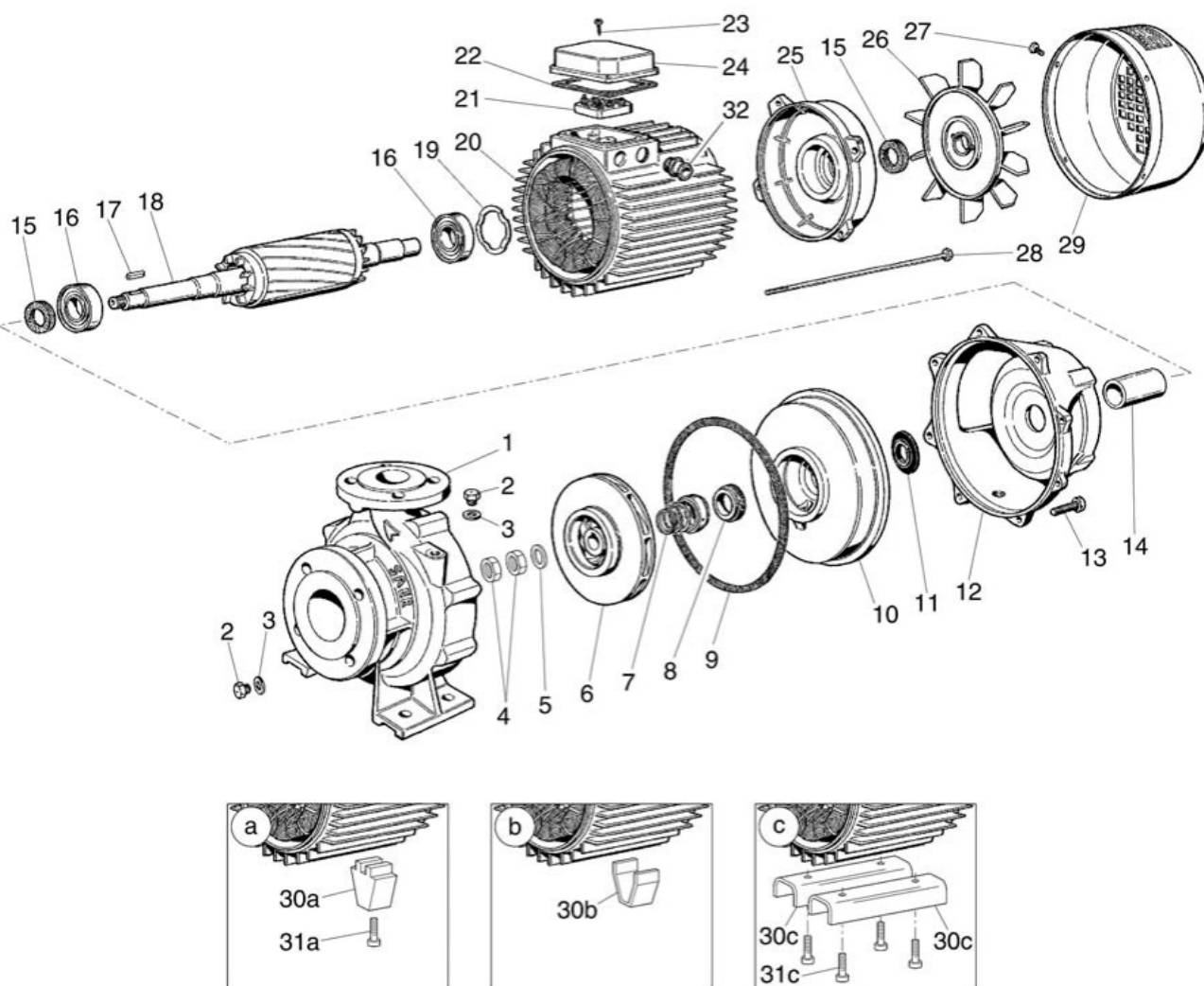
UNI EN ISO 9906:2012 - Grade 3B



|         |            |            |                   |             |
|---------|------------|------------|-------------------|-------------|
| Project | Project ID | Created by | Created on        | Last update |
|         |            |            | <b>2022-08-01</b> |             |

Company name  
Respons. Department  
Person in charge  
Phone number  
Fax no  
E-mail address

|  |  |
|--|--|
|  |  |
|  |  |
|  |  |
|  |  |
|  |  |
|  |  |



Project

Project ID

Created by

Created on  
**2022-08-01**

Last update