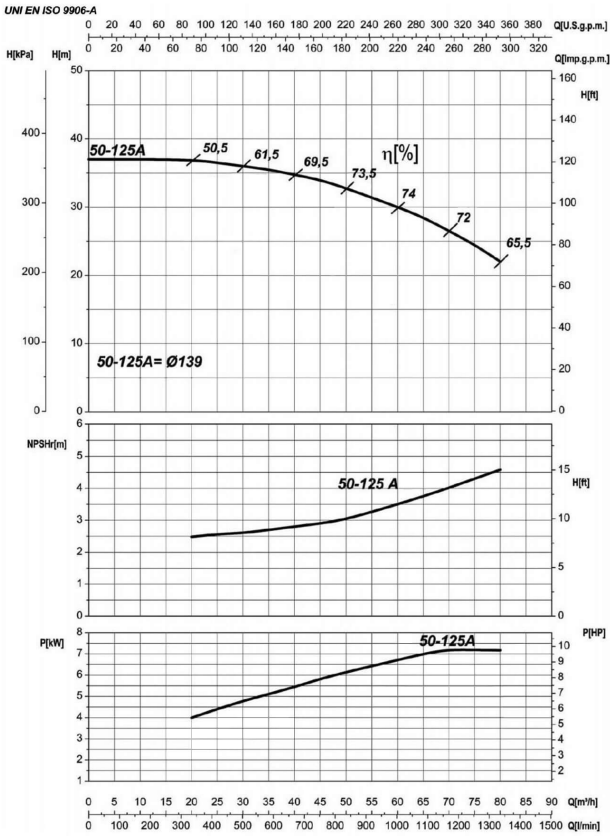


Company name
 Respons. Department
 Person in charge
 Phone number
 Fax no
 E-mail address

Receiver	From



Operating data specification

Nominal flow	US g.p.m. 0
Nominal head	ft 0
Static head	ft 0
NPSH - v value of plant	ft 0
Inlet pressure	psi 1.42
Fluid	Water, pure
Operating temperature t A	°F 68
Density at t A	lb/ft³ 62.32
Kin. viscosity at t A	ft²/s 1.082E-5

Pump		6IR50-125A	
Pump name	6IR50-125A		
Size	65/50/125		
Design			
Speed rpm	3600	No of stages	1
Impeller type			
Flow	Nominal	US g.p.m.	
	Max-	US g.p.m.	352
	Min-	US g.p.m.	88.1
Head	Nominal	ft	
	Max-	ft	120
	Min-	ft	72.5
Head H(Q=0)	ft 121		
NPSH 3%	ft		
Max. working pressure	psi 52.5		
Shaft power	hp		
Efficiency	%		
Max absorbed power	hp 9.6352		

Materials Pump

Shaft	Stainless steel AISI 431 (1.4057)		
Impeller	Cast iron EN-GJL-250		
Pump body	Cast iron EN-GJL-250		
Seal disc	Cast iron EN-GJL-250		
Gasket	Natural fiber		
Mechanical seal	BVEG (Grafito/Ossido Allumina/EPDM)		

Motor	Frame size	112 M		
Manufacturer / Type	SAER	MEC112M-2P-7.5		
Rated power	hp	10.058	Efficiency 4/4	87 %
Electric current	A	12.4 A	Speed rpm	3600
Electric voltage	V	460V	3~	Hz 60
Starting mode	Unknown			
Degree of protection	IP 55	Insulation class	F	

Dimensions in inch

a	3 ¹⁵ / ₁₆
b	1 ¹⁵ / ₁₆
DNA	2 ⁹ / ₁₆
DNM	1 ¹⁵ / ₁₆
f	16 ¹¹ / ₁₆
h1	5 ³ / ₁₆
h2	6 ⁵ / ₁₆
m1	3 ¹⁵ / ₁₆
m2	2 ³ / ₄
n1	9 ⁷ / ₁₆
n2	7 ¹ / ₂
s	9 ¹ / ₁₆
w	11 ⁷ / ₈

C	4	C	4 ¹³ / ₁₆
D	6 ¹ / ₂	D	7 ⁵ / ₁₆
DN	1 ¹⁵ / ₁₆	DN	2 ⁹ / ₁₆
K	4 ¹⁵ / ₁₆	K	5 ¹ / ₁₆
n°	3 ¹ / ₁₆	n°	3 ¹ / ₁₆
øn	3 ¹ / ₄	øn	3 ¹ / ₄

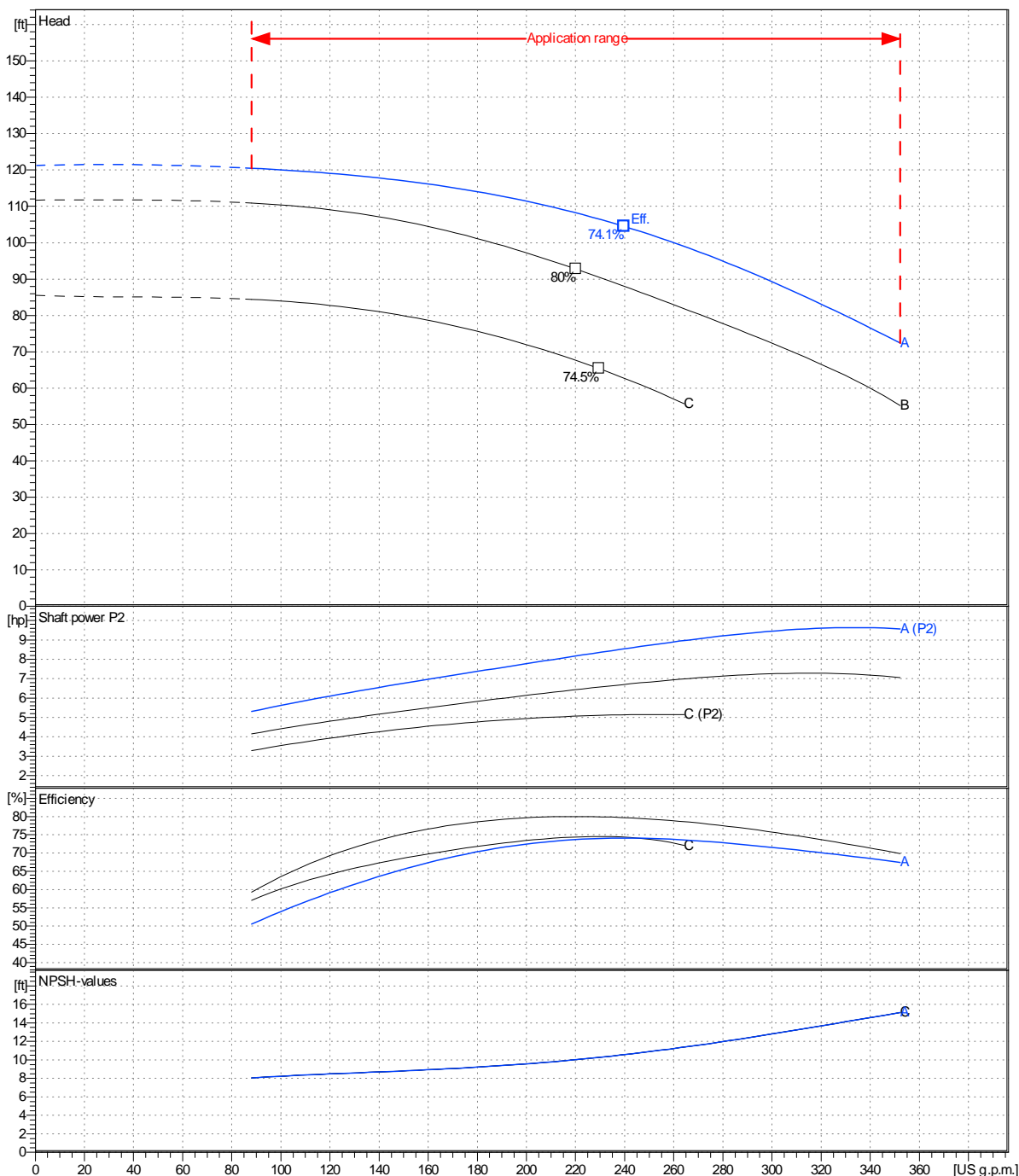
Remarks:				
Project	Project ID	Created by	Created on	Last update
			8/10/2022	

	Receiver	From
Company name		
Respons. Department		
Person in charge		
Phone number		
Fax no		
E-mail address		

Operating area	Flow	Head	Impeller type
Operating data specification	0 US g.p.m.	0 ft	Impeller construction Closed
Pump data	US g.p.m.	ft	Sense of rotation Clockwise from the drive end
			Outlet width DN 50
	Flow	Head	Shaft power P2
	Min. Max. η Max.	H(Q=0) η Max.	P2(Q=0) Max. η Max.
	US g.p.m. US g.p.m. US g.p.m.	ft ft	hp hp hp
	88.1 352 240	121 105	9.64 8.54
			Speed rpm 3600
			Frequency Hz 60 Hz

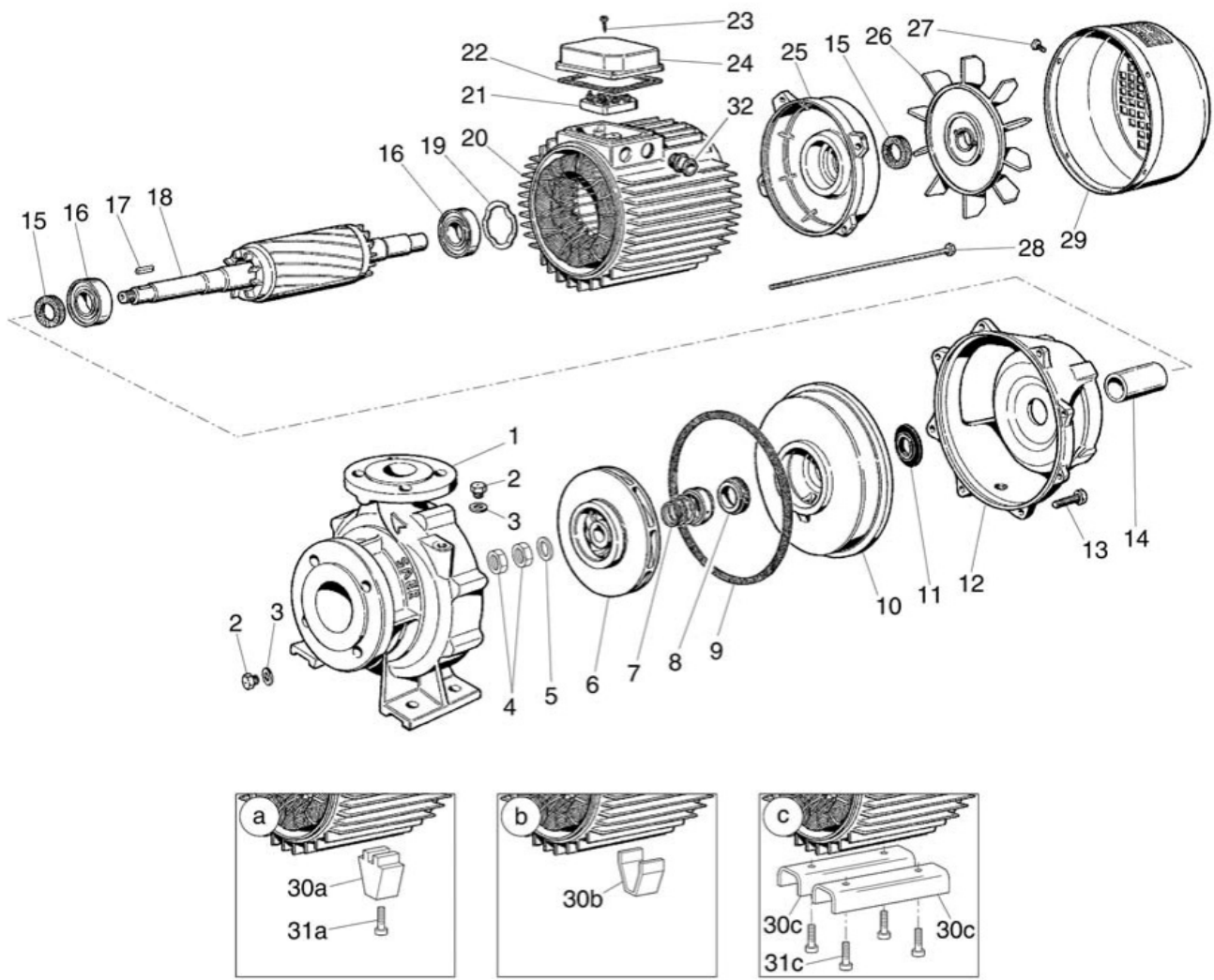
 Performance data based to: Water, pure [100%]; 68°F; 62.3lb/ft³; 1.08E-5ft²/s

UNI EN ISO 9906:2012 - Grade 3B



Project	Project ID	Created by	Created on 8/10/2022	Last update
---------	------------	------------	--------------------------------	-------------

Company name
Respons. Department
Person in charge
Phone number
Fax no
E-mail address



Project	Project ID	Created by	Created on 8/10/2022	Last update
---------	------------	------------	-------------------------	-------------