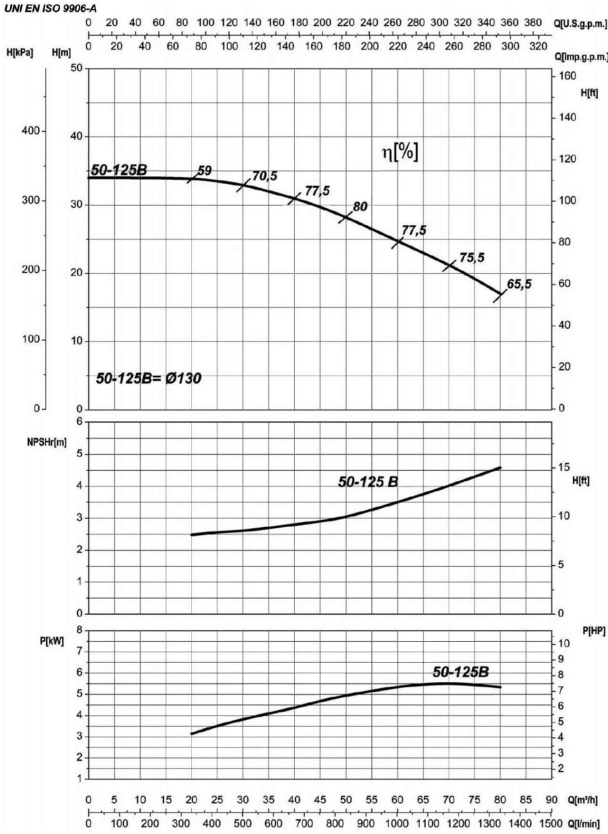


Company name
Respons. Department
Person in charge
Phone number
Fax no
E-mail address

Receiver

From



Operating data specification

Nominal flow	US g.p.m. 0
Nominal head	ft 0
Static head	ft 0
NPSH - v value of plant	ft 0
Inlet pressure	psi 1.42
Fluid	Water, pure
Operating temperature t A	°F 68
Density at t A	lb/ft³ 62.32
Kin. viscosity at t A	ft²/s 1.082E-5

Pump

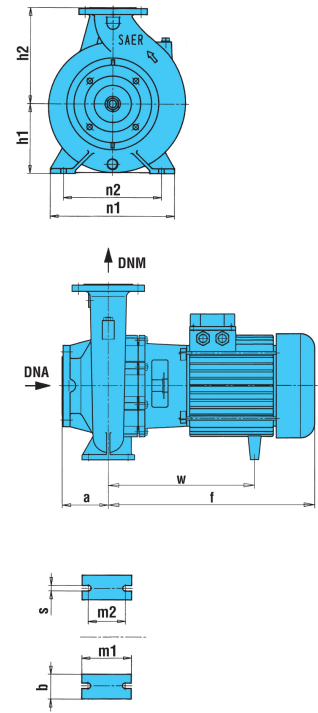
Pump name	6IR50-125B		
Size	65/50/125		
Design			
Speed rpm	3600	No of stages	1
Impeller type			
Flow	Nominal	US g.p.m.	
	Max-	US g.p.m.	352
	Min-	US g.p.m.	88.1
Head	Nominal	ft	
	Max-	ft	111
	Min-	ft	55.2
Head H(Q=0)		ft	112
NPSH 3%		ft	
Max. working pressure		psi	48.4
Shaft power		hp	
Efficiency		%	
Max absorbed power		hp	7.2815

Materials Pump

Shaft	Stainless steel AISI 431 (1.4057)		
Impeller	Cast iron EN-GJL-250		
Pump body	Cast iron EN-GJL-250		
Seal disc	Cast iron EN-GJL-250		
Gasket	Natural fiber		
Mechanical seal	BVEG (Grafito/Ossido Allumina/EPDM)		

Dimensions in inch

- a 3¹⁵/₁₆
- b 1¹⁵/₁₆
- DNA 2⁹/₁₆
- DNM 1¹⁵/₁₆
- f 16¹¹/₁₆
- h1 5³/₁₆
- h2 6⁵/₁₆
- m1 3³/₁₆
- m2 2³/₄
- n1 9⁷/₁₆
- n2 7¹/₂
- s 9¹/₁₆
- w 11⁷/₈



C	4	C	4 ¹³ / ₁₆
D	6 ¹ / ₂	D	7 ⁵ / ₁₆
DN	1 ¹⁵ / ₁₆	DN	2 ⁹ / ₁₆
K	4 ¹⁵ / ₁₆	K	5 ¹ / ₁₆
n°	3 ¹ / ₁₆	n°	3 ¹ / ₁₆
øn	3 ¹ / ₄	øn	3 ¹ / ₄

Motor	Frame size	112 M		
Manufacturer / Type	SAER	MEC112M-2P-5.5		
Rated power	hp	7.3756	Efficiency 4/4	86 %
Electric current	A	23 A	Speed rpm	3600
Electric voltage	V	230V	3~	Hz 60
Starting mode	Unknown			
Degree of protection	IP 55	Insulation class	F	

Remarks:

Project	Project ID	Created by	Created on	Last update
			2022-08-01	

Receiver

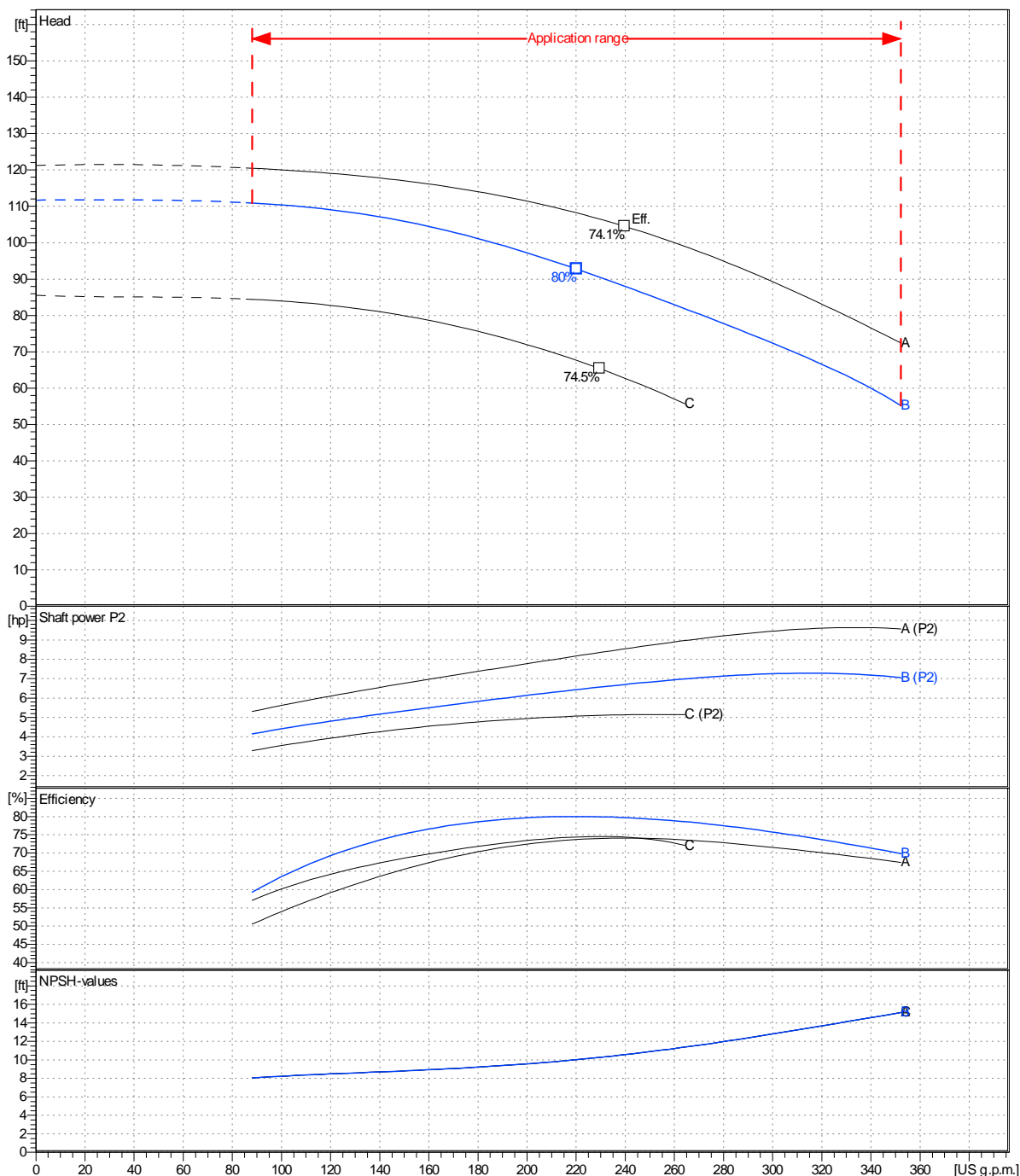
From

 Company name
 Respons. Department
 Person in charge
 Phone number
 Fax no
 E-mail address

Operating area	Flow	Head	Impeller type	
Operating data specification	0 US g.p.m.	0 ft	Impeller construction	Closed
Pump data	US g.p.m.	ft	Sense of rotation	Clockwise from the drive end
			Outlet width	DN 50
	Flow	Head	Shaft power P2	Speed rpm 3600
	Min. Max. η Max.	H(Q=0) η Max.	P2(Q=0) Max. η Max.	Frequency Hz 60 Hz
	US g.p.m. US g.p.m. US g.p.m.	ft ft	hp hp hp	
	88.1 352 220	112 92.8	7.28 6.43	

 Performance data based to: Water, pure [100%]; 68°F; 62.3lb/ft³; 1.08E-5ft²/s

UNI EN ISO 9906:2012 - Grade 3B



Project

Project ID

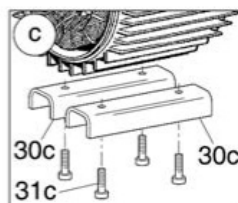
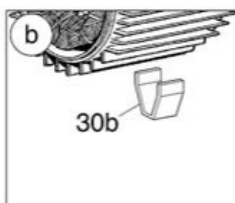
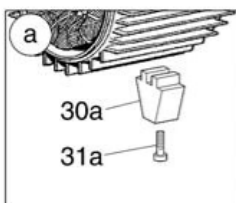
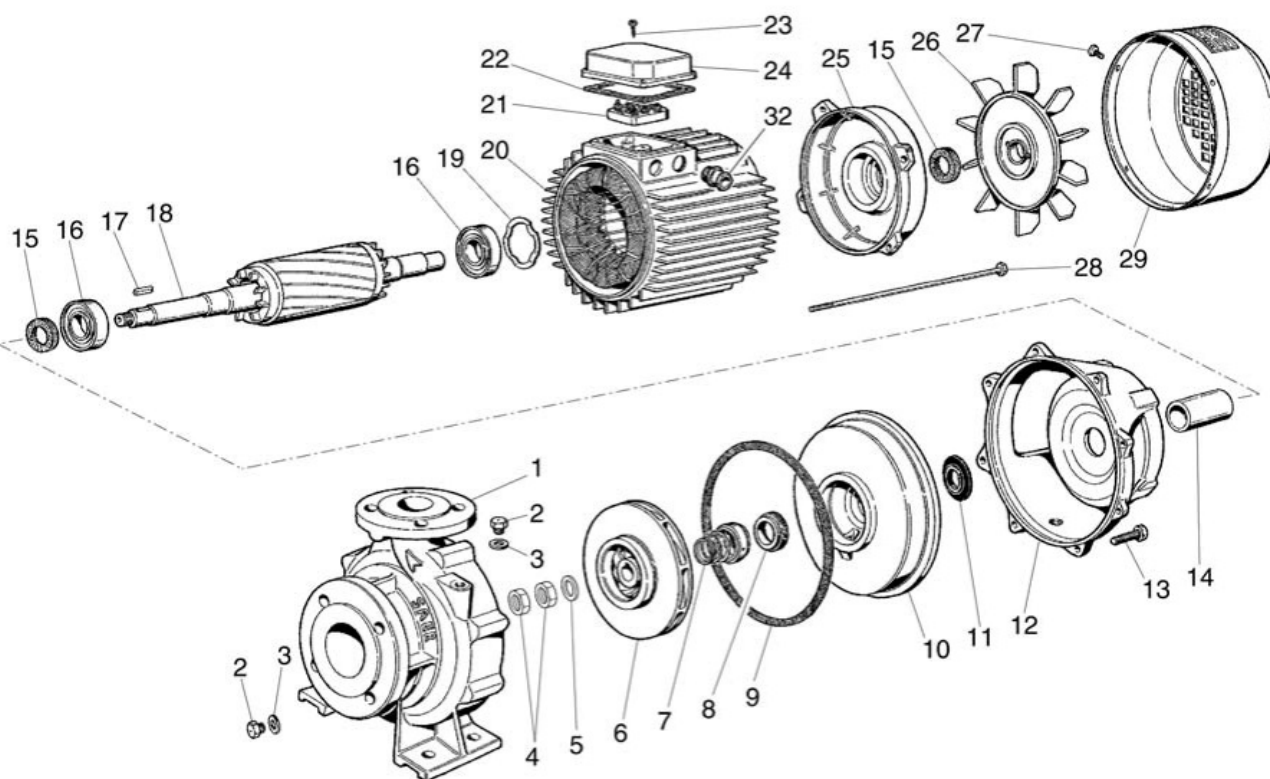
Created by

Created on

Last update

2022-08-01

Company name
Respons. Department
Person in charge
Phone number
Fax no
E-mail address



Project

Project ID

Created by

Created on
2022-08-01

Last update