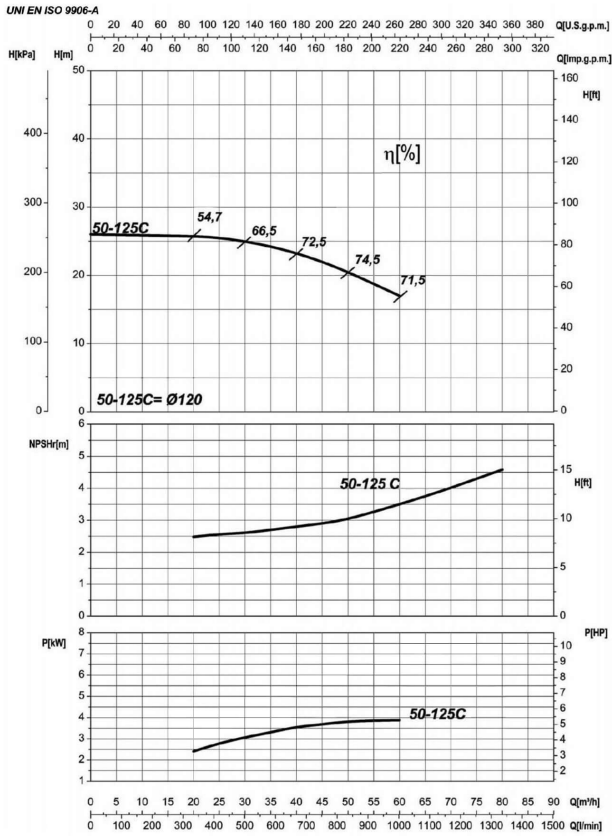


Company name  
 Respons. Department  
 Person in charge  
 Phone number  
 Fax no  
 E-mail address

Receiver	From



### Operating data specification

Nominal flow	US g.p.m. 0
Nominal head	ft 0
Static head	ft 0
NPSH - v value of plant	ft 0
Inlet pressure	psi 1.42
Fluid	Water, pure
Operating temperature t A	°F 68
Density at t A	lb/ft³ 62.32
Kin. viscosity at t A	ft²/s 1.082E-5

Pump		6IR50-125C	
Pump name	6IR50-125C		
Size	65/50/125		
Design			
Speed rpm	3600	No of stages	1
Impeller type			
Flow	Nominal	US g.p.m.	
	Max-	US g.p.m. 264	
	Min-	US g.p.m. 88.1	
Head	Nominal	ft	
	Max-	ft 84.4	
	Min-	ft 55.8	
Head H(Q=0)	ft 85.6		
NPSH 3%	ft		
Max. working pressure	psi 37		
Shaft power	hp		
Efficiency	%		
Max absorbed power	hp 5.1537		

### Materials Pump

Shaft	Stainless steel AISI 431 (1.4057)		
Impeller	Cast iron EN-GJL-250		
Pump body	Cast iron EN-GJL-250		
Seal disc	Cast iron EN-GJL-250		
Gasket	Natural fiber		
Mechanical seal	BVEG (Grafito/Ossido Allumina/EPDM)		

### Dimensions in inch

<p>a 3<sup>15</sup>/<sub>16</sub></p> <p>b 1<sup>15</sup>/<sub>16</sub></p> <p>DNA 2<sup>9</sup>/<sub>16</sub></p> <p>DNM 1<sup>15</sup>/<sub>16</sub></p> <p>f 15<sup>1</sup>/<sub>2</sub></p> <p>h1 5<sup>3</sup>/<sub>16</sub></p> <p>h2 6<sup>5</sup>/<sub>16</sub></p> <p>m1 3<sup>15</sup>/<sub>16</sub></p> <p>m2 2<sup>3</sup>/<sub>4</sub></p> <p>n1 9<sup>7</sup>/<sub>16</sub></p> <p>n2 7<sup>1</sup>/<sub>2</sub></p> <p>s 9<sup>1</sup>/<sub>16</sub></p> <p>w 10<sup>11</sup>/<sub>16</sub></p>	
--	--

Motor		Frame size	112 M	
Manufacturer / Type		SAER	MEC112M-2P-4	
Rated power	hp	5.3641	Efficiency 4/4	85.5 %
Electric current	A	14.7 A	Speed rpm	3600
Electric voltage	V	230V	3~	Hz 60
Starting mode	Unknown			
Degree of protection	IP 55	Insulation class	F	

Remarks:				
Project	Project ID	Created by	Created on	Last update
			2022-08-01	

Receiver

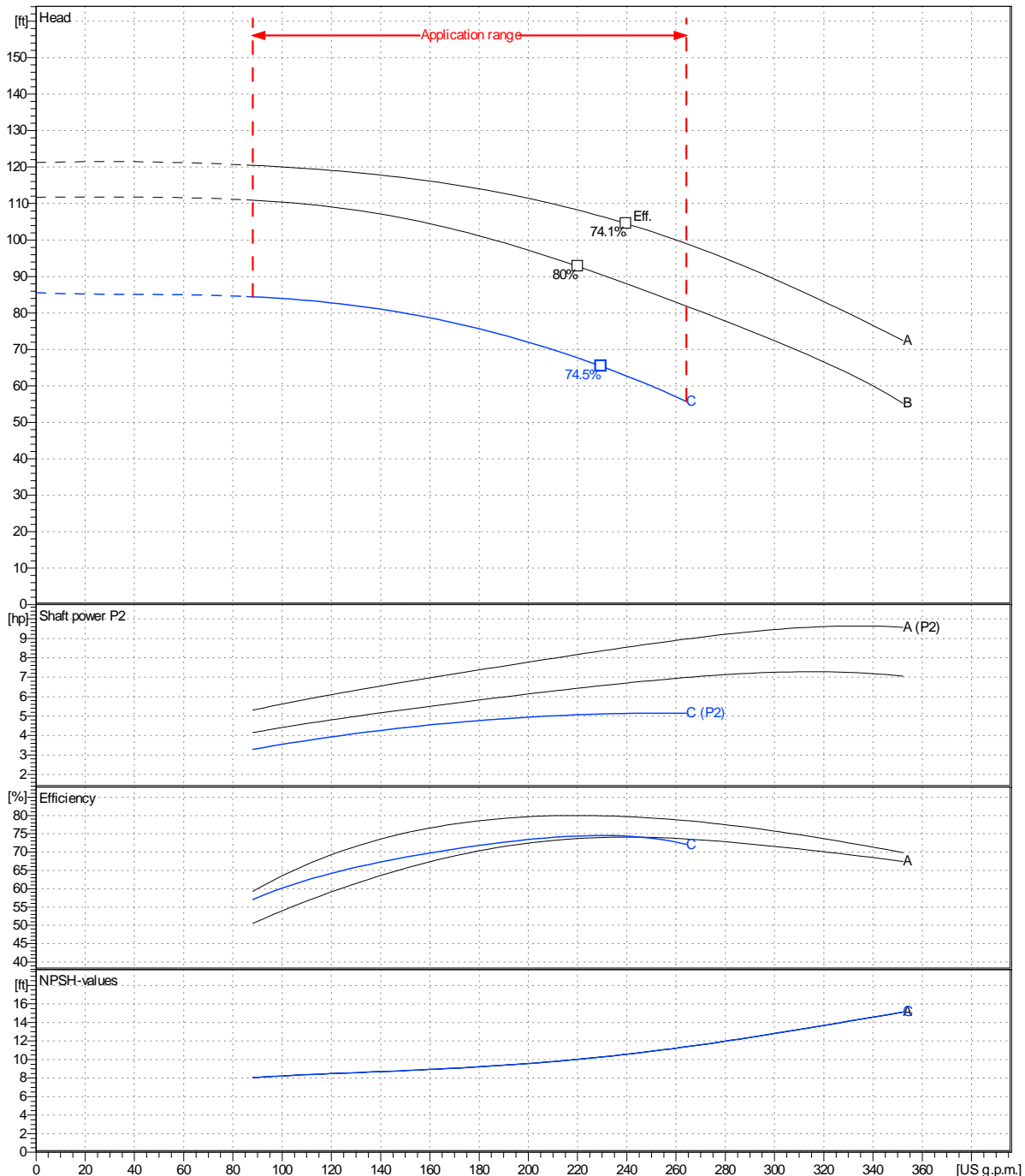
From

 Company name  
 Respons. Department  
 Person in charge  
 Phone number  
 Fax no  
 E-mail address

Operating area	Flow	Head	Impeller type
Operating data specification	0 US g.p.m.	0 ft	Impeller construction Closed
Pump data	US g.p.m.	ft	Sense of rotation Clockwise from the drive end
			Outlet width DN 50
	Flow	Head	Shaft power P2
	Min. Max. $\eta$ Max.	H(Q=0) $\eta$ Max.	P2(Q=0) Max. $\eta$ Max.
	US g.p.m. US g.p.m. US g.p.m.	ft ft	hp hp hp
	88.1 264 230	85.6 65.4	5.15 5.11
			Speed rpm 3600
			Frequency Hz 60 Hz

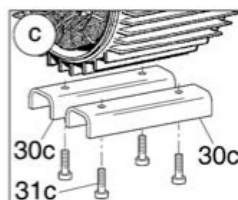
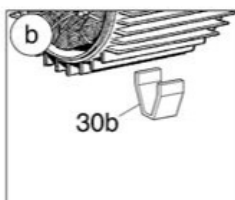
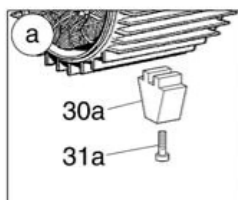
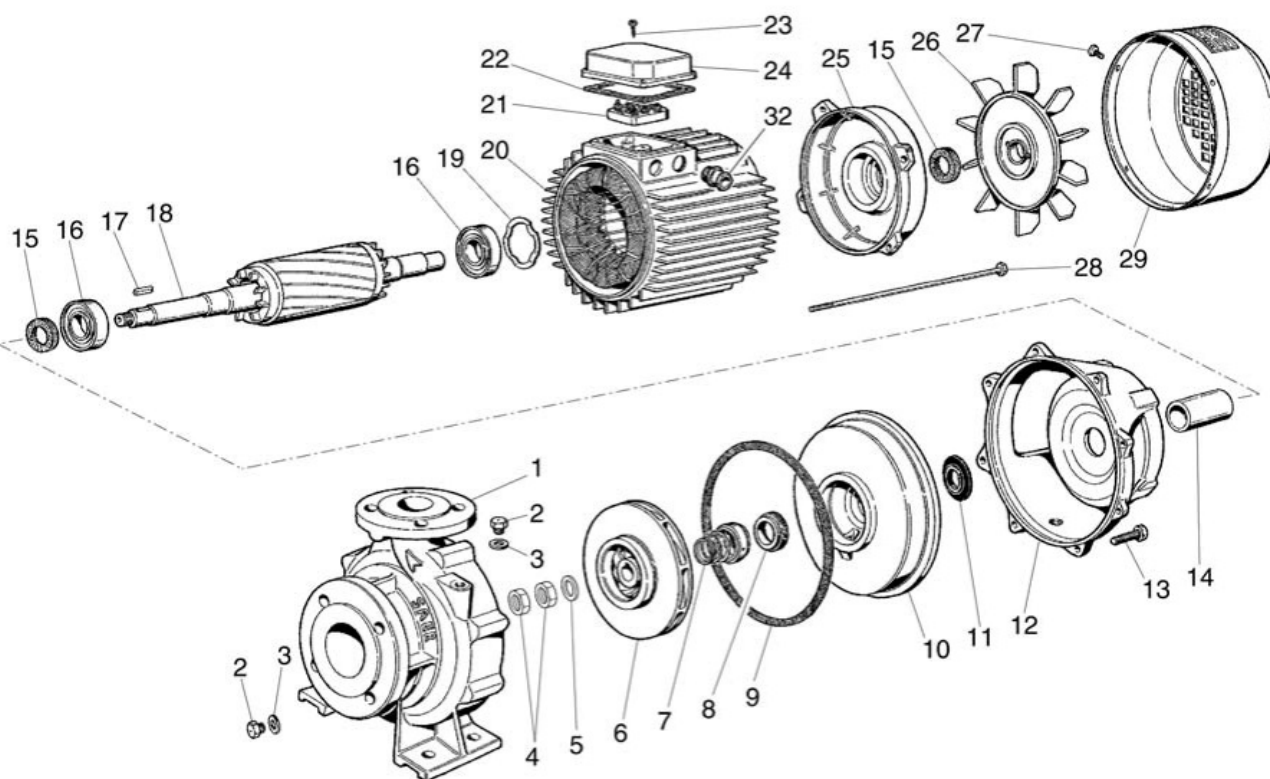
 Performance data based to: Water, pure [100%]; 68°F; 62.3lb/ft<sup>3</sup>; 1.08E-5ft<sup>2</sup>/s

UNI EN ISO 9906:2012 - Grade 3B



Project	Project ID	Created by	Created on <b>2022-08-01</b>	Last update
---------	------------	------------	---------------------------------	-------------

Company name  
Respons. Department  
Person in charge  
Phone number  
Fax no  
E-mail address



Project

Project ID

Created by

Created on  
**2022-08-01**

Last update