



TECHNICAL FEATURES

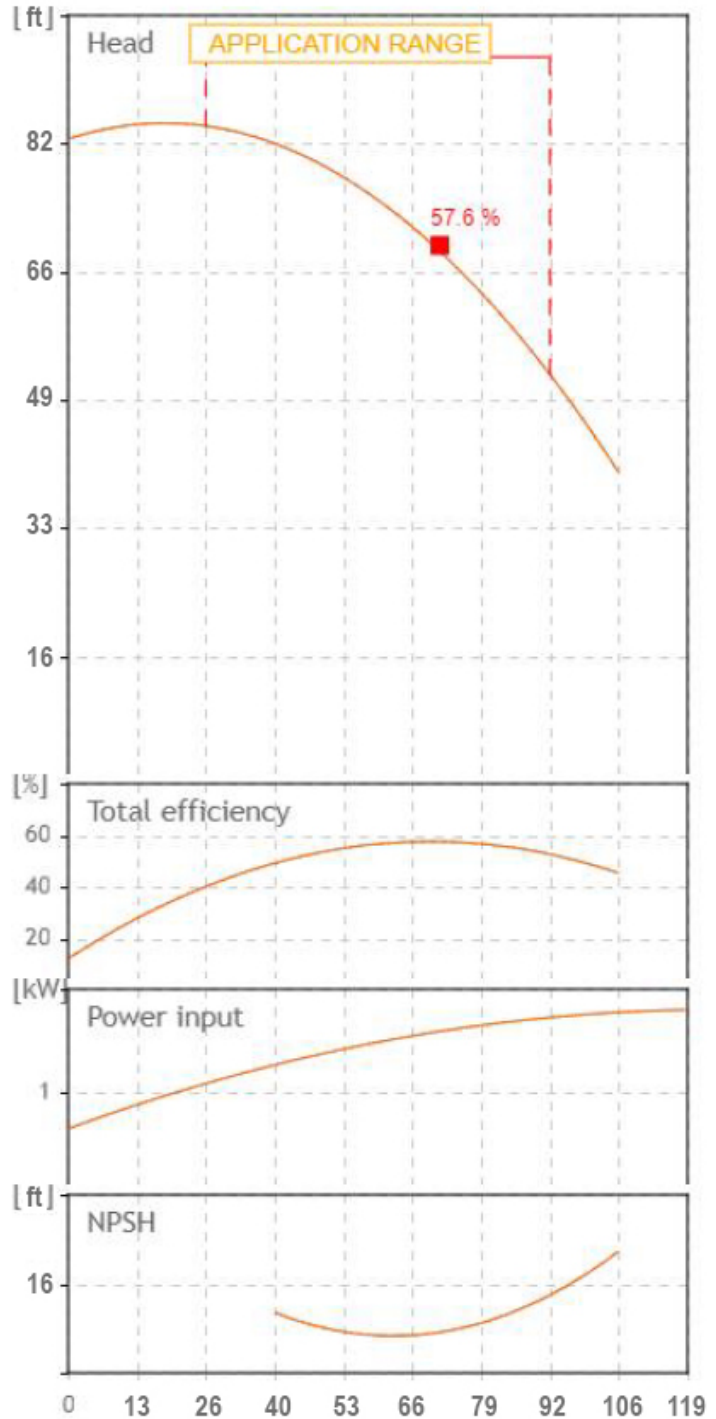
- Pump body: cast iron G20 with anti-corrosive coating
- Motor bracket: cast iron G20 with anti-corrosive coating
- in/outlet: ANSI 125
- Impeller: cast iron G20 with cataphoretic treatment
- Welding counter flanges: galvanized steel complete with EPDM gaskets
- Pump shaft: stainless steel AISI 304
- Mechanical seal: carbon-ceramics
- Welding Flanges Included

MOTOR

The control motors are asynchronous, squirrel cage-type, closed, with external ventilation



- Incorporated motor protection and capacitor always on, for single-phase models
- Class of insulation: F
- Service: S1
- Degree of protection: Single Phase IP 44
- Terminal board protection IP 54

Tolerance of curves to ISO 9906



[US GPM]



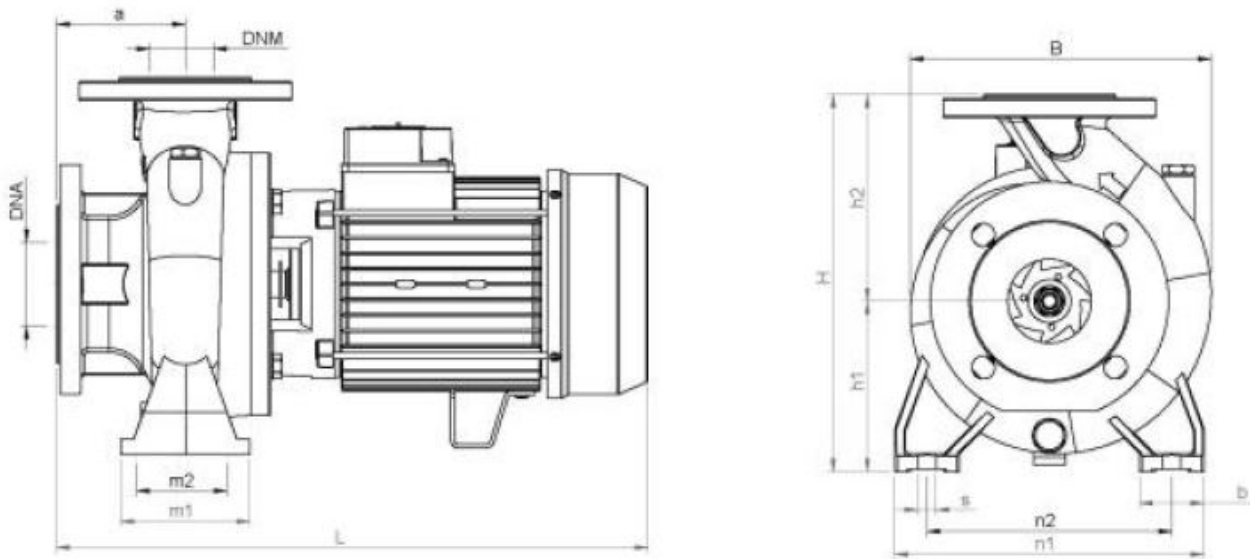
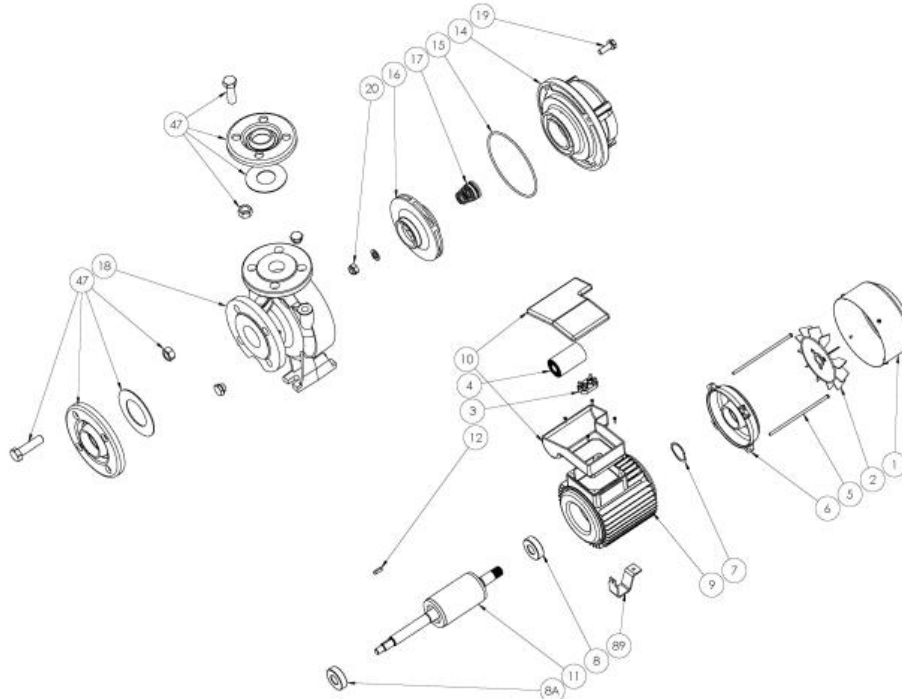
		SEA LAND S.r.l. (PD) ITALY www.sea-land.it		 MADE IN ITALY	
Type CN 32-125 A M					
H	16 - 25.7	m	Q	350 - 100	l/1'
Hmin	12.1	m	Hmax	25.2	m
	2	HP	1,5	kW	12.5
	2	HP	1,5	kW	12.5
	2	HP	1,5	kW	12.5
1~	220V		60	Hz	η
	40μF	450V	IP 44		3500 Rpm
S/N		Ins.Cl F	▽		m
T. MAX FLUID.	35 °C	40	kg		
Servizio continuo	Continuos duty				

From
Company: Gol pumps
Reference:
Address: 6520 Nw 77ct



Phone: 786-613-5872
Email: info@golpumps.com

Sea-land reserves the right to make changes without prior notice
Page 1 / 2



TIPO TYPE	DIMENSIONI [mm] DIMENSIONS [mm]																IMBALLO [mm] PACKING [mm]			PESO WEIGHT
	A	B1	S	L	B	H	n1	n2	m1	m2	H1	H2	K asp	K man	B asp	B man	Ai	Pi	Li	[kg]
CN 32-125 A M	80	50	14	400	203	252	190	140	100	70	112	140	125	100	19	18	380	530	330	40

TIPO TYPE	DIMENSIONI [mm] DIMENSIONS [mm]			
	n° asp	n° man	DNA (inch)	DNM (inch)
CN 32-125 A M	4	4	50 (2")	32 (1 1/4")

From
Company: Gol pumps
Reference:
Address: 6520 Nw 77ct



Phone: 786-613-5872
Email: info@golpumps.com

Sea-land reserves the right to make changes without prior notice
Page 2 / 2