



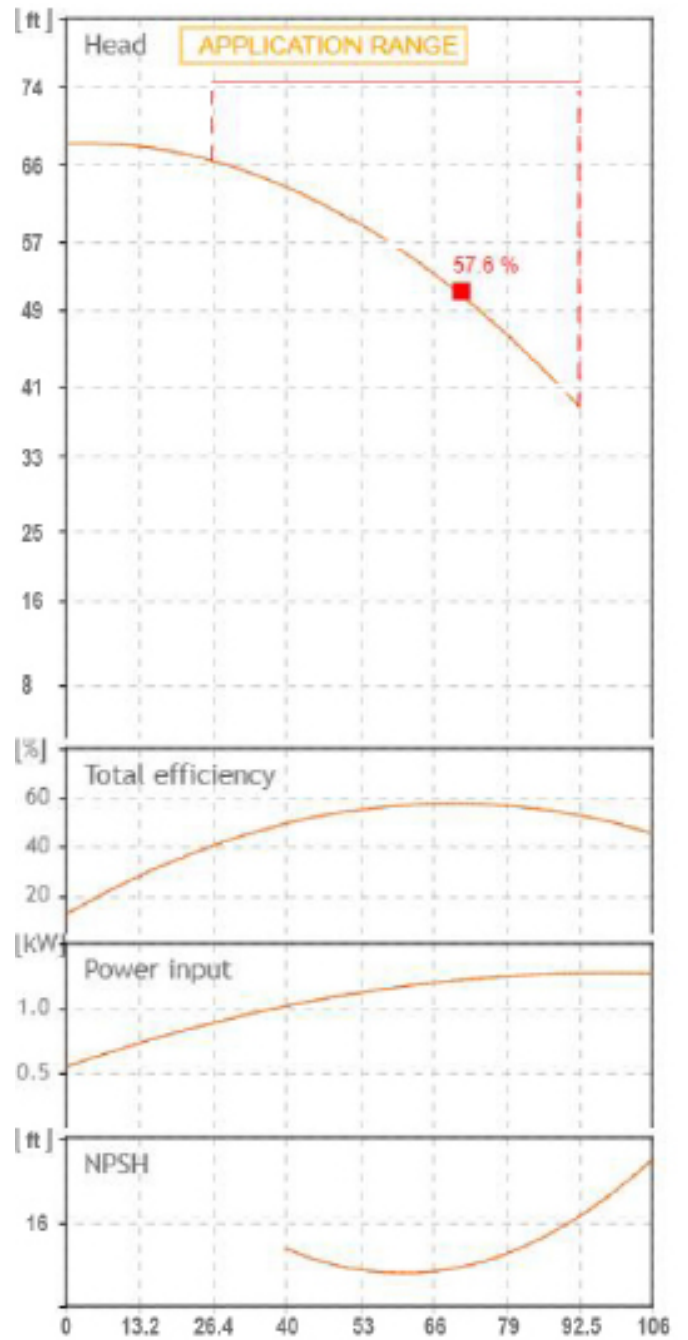
**TECHNICAL FEATURES**



- Pump body: cast iron G20 with anti-corrosive coating
- Motor bracket: cast iron G20 with anti-corrosive coating
- in/outlet: ANSI 125
- Impeller: cast iron G20 with cataphoretic treatment
- Welding counter flanges: galvanized steel complete with EPDM gaskets
- Pump shaft: stainless steel AISI 304
- Mechanical seal: carbon-ceramics
- Welding Flanges Included

**MOTOR**

- The control motors are asynchronous, squirrel cage-type, closed, with external ventilation
- Incorporated motor protection and capacitor always on, for single-phase models
  - Class of insulation: F
  - Service: S1
  - Degree of protection: Single phase IP 44
  - Terminal board protection IP 54

**Tolerance of curves to ISO 9906**



		SEA LAND S.r.l. (PD) ITALY www.sea-land.it				MADE IN ITALY	
Type CN 32-125 B M							
H 11.6 - 19.9 m		Q 350 - 100 l/1'					
Hmin 11.6 m		Hmax 20.9 m		P1 1820 W			
○ 1,5 HP		1,1 kW		8.5 A		○	
1~ 220 V		60 Hz		η %			
31.5 μF 450 V		IP 44		3500 Rpm			
S/N		Ins.Cl F		▽ m			
T. MAX FLUID. 35 °C		38 kg					
Servizio continuo		Continuos duty					

[US GPM]

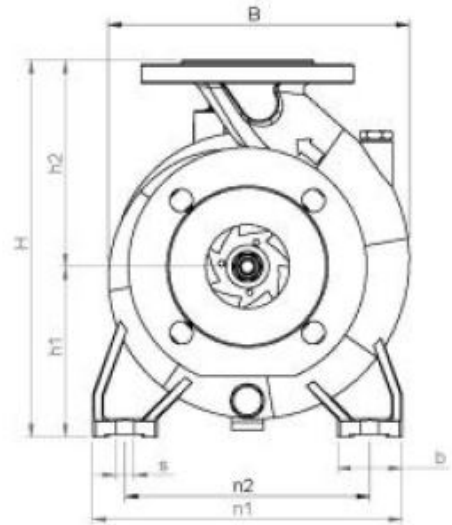
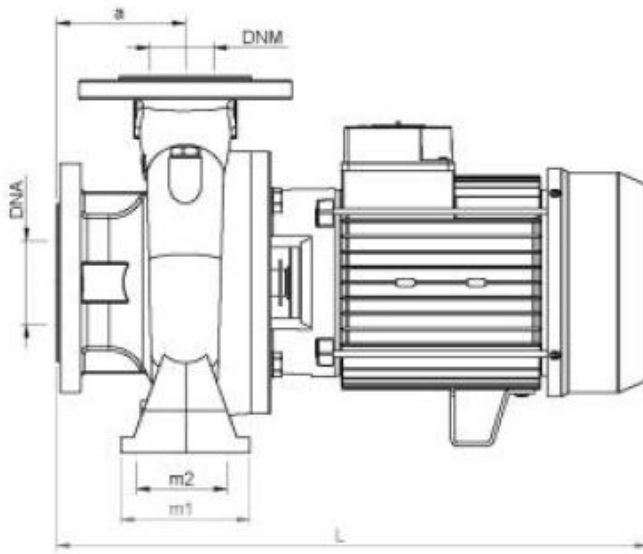
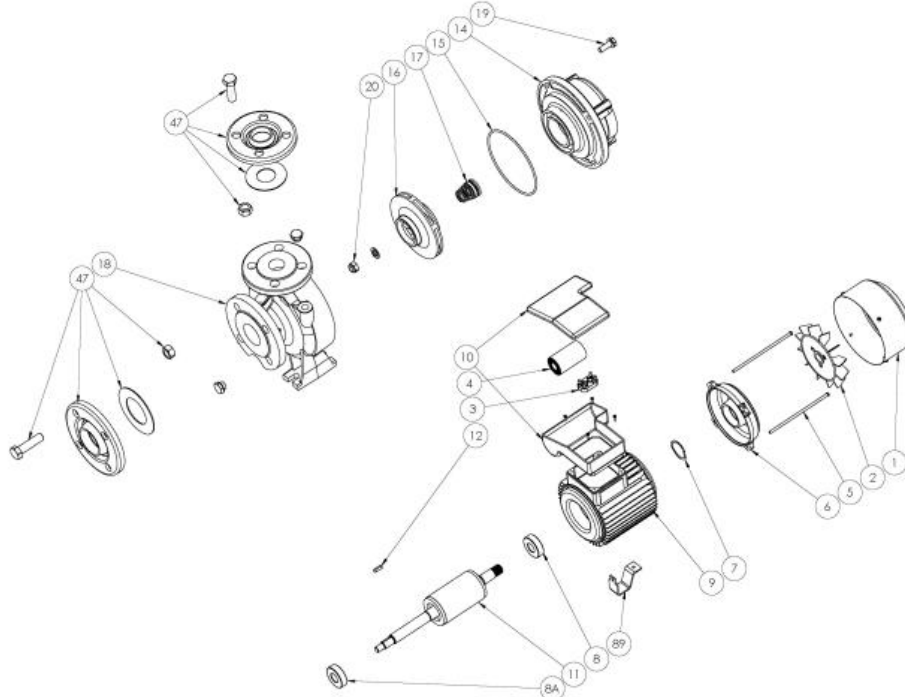


**From**  
Company: Gol pumps  
Reference:  
Address: 6520 Nw 77ct



Phone: 786-613-5872  
Email: info@golpumps.com

Sea-land reserves the right to make changes without prior notice  
Page 1 / 2



TIPO TYPE	DIMENSIONI [mm] DIMENSIONS [mm]																IMBALLO [mm] PACKING [mm]			PESO WEIGHT
	A	B1	S	L	B	H	n1	n2	m1	m2	H1	H2	K asp	K man	B asp	B man	Ai	Pi	Li	[kg]
CN 32-125 B M	80	50	14	400	203	252	190	140	100	70	112	140	125	100	19	18	380	530	330	38

TIPO TYPE	DIMENSIONI [mm] DIMENSIONS [mm]			
	n° asp	n° man	DNA(inch)	DNM(inch)
CN 32-125 B M	4	4	50(2")	32(1 1/4")

**From**  
Company: Gol pumps  
Reference:  
Address: 6520 Nw 77ct



Phone: 786-613-5872  
Email: info@golpumps.com

Sea-land reserves the right to make changes without prior notice  
Page 2 / 2