





**TECHNICAL FEATURES**

- Pump body: cast iron G20 with anti-corrosive coating
- Motor bracket: cast iron G20 with anti-corrosive coating
- in/outlet: ANSI 125
- Impeller: cast iron G20 with cathophoretic treatment
- Welding counter flanges: galvanized steel complete with EPDM gaskets
- Pump shaft: stainless steel AISI 304
- Mechanical seal: carbon-ceramics
- Welding Flanges Included

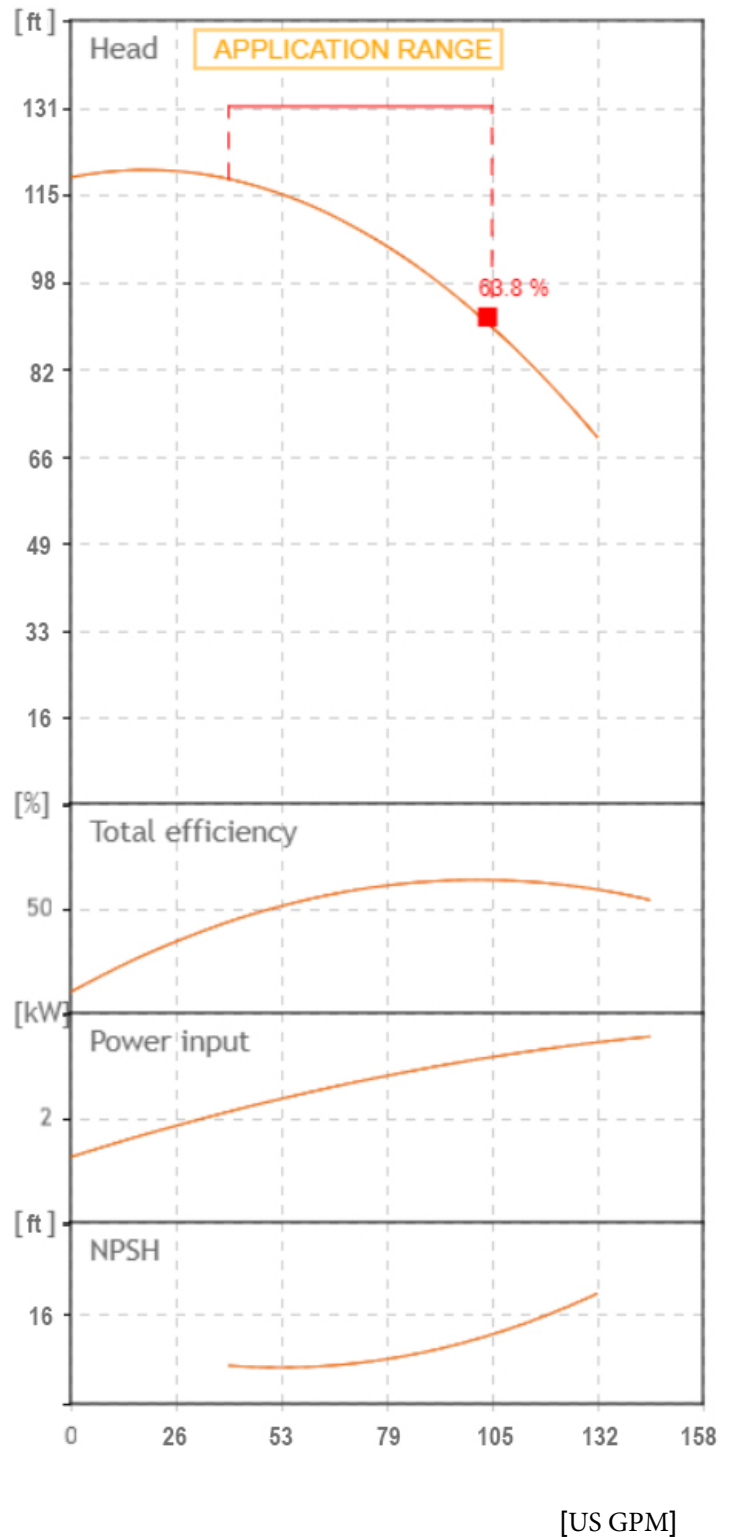
**MOTOR**

The control motors are asynchronous, squirrel cage-type, closed, with external ventilation

- Incorporated motor protection and capacitor always on, for single-phase models
- Class of insulation: F
- Service: S1
- Degree of protection: Single Phase IP 44
- Terminal board protection IP 54

		SEA LAND S.r.l. (PD) ITALY www.sea-land.it				MADE IN ITALY	
Type CN 32-160 A M							
H 27.2 - 35.9		m		Q 400 - 150		l/1'	
Hmin 21.3		m		Hmax 35.9		m	
P1 4360		W		4		HP	
3		kW		19.4		A	
1~ 220		V		60		Hz	
η		%		3500		Rpm	
μF		V		IP 44			
S/N		Ins.Cl F		▽		m	
T. MAX FLUID.		35 °C		51		kg	
Servizio continuo				Continuous duty			

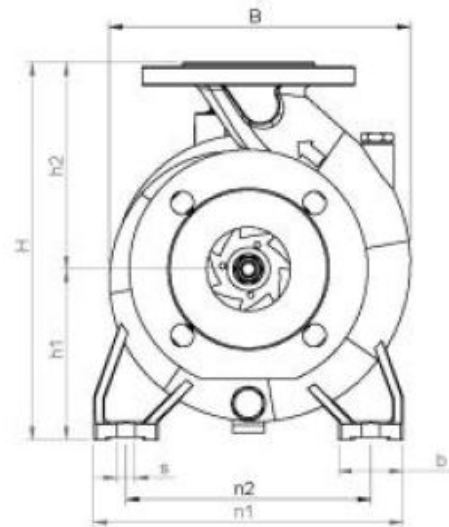
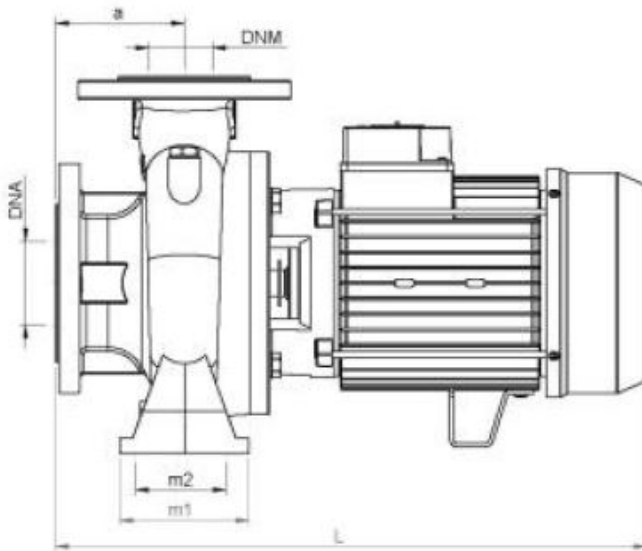
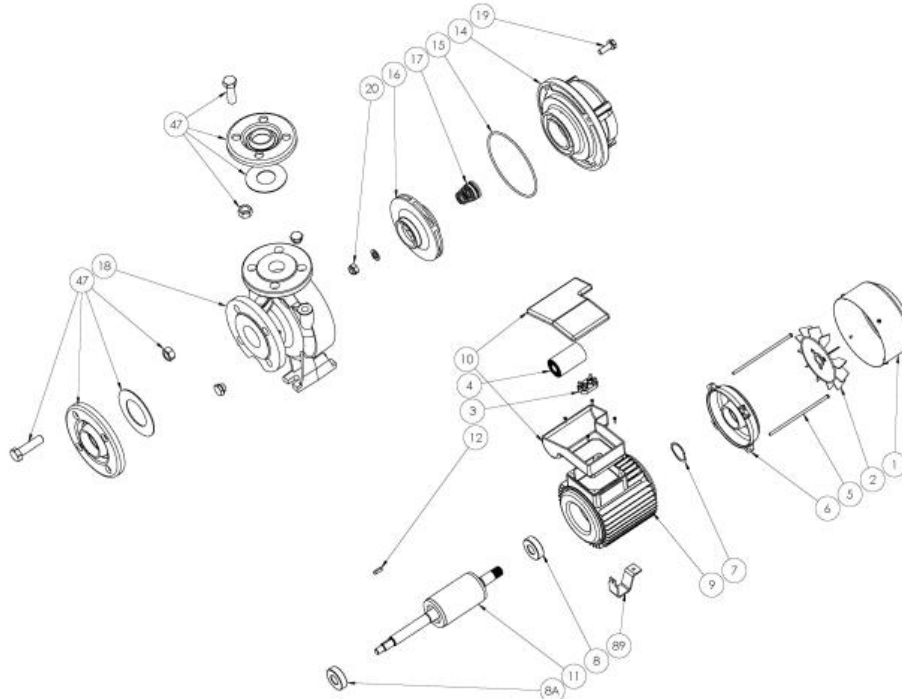
**Tolerance of curves to ISO 9906**



**From**  
Company: Gol pumps  
Reference:  
Address: 6520 Nw 77ct

Phone: 786-613-5872  
Email: info@golpumps.com

Sea-land reserves the right to make changes without prior notice  
Page 1 / 2



TIPO TYPE	DIMENSIONI [mm] DIMENSIONS [mm]																IMBALLO [mm] PACKING [mm]			PESO WEIGHT
	A	B1	S	L	B	H	n1	n2	m1	m2	H1	H2	K asp	K man	B asp	B man	Ai	Pi	Li	[kg]
CN 32-160 A M	80	50	14	400	240	292	240	190	100	70	132	160	125	100	19	18	380	530	330	51

TIPO TYPE	DIMENSIONI [mm] DIMENSIONS [mm]			
	n° asp	n° man	DNA (inch)	DNM(inch)
CN 32-160 A M	4	4	50 (2")	32 (1 1/4")

**From**  
Company: Gol pumps  
Reference:  
Address: 6520 Nw 77ct

Phone: 786-613-5872  
Email: info@golpumps.com

Sea-land reserves the right to make changes without prior notice  
Page 2 / 2