



**TECHNICAL FEATURES**

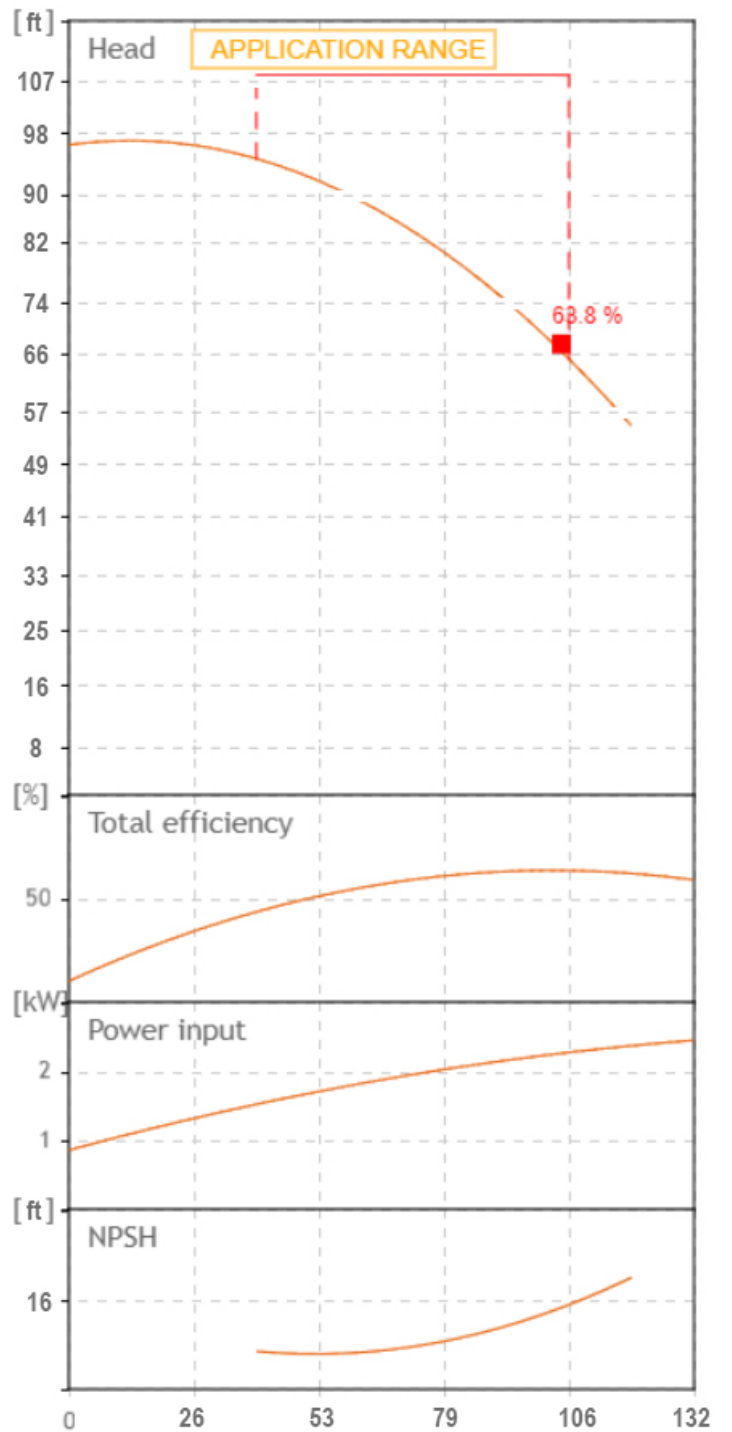
- Pump body: cast iron G20 with anti-corrosive coating
- Motor bracket: cast iron G20 with anti-corrosive coating
- in/outlet: ANSI 125
- Impeller: cast iron G20 with cathaporetic treatment
- Welding counter flanges: galvanized steel complete with EPDM gaskets
- Pump shaft: stainless steel AISI 304
- Mechanical seal: carbon-ceramics
- Welding Flanges Included



**MOTOR**

The control motors are asynchronous, squirrel cage-type, closed, with external ventilation

- Incorporated motor protection and capacitor always on, for single-phase models
- Class of insulation: F
- Service: S1
- Degree of protection: Single Phase IP 44
- Terminal board protection IP 54

**Tolerance of curves to ISO 9906**



		SEA LAND S.r.l. (PD) ITALY www.sea-land.it		 MADE IN ITALY	
Type CN 32-160 B M					
H	19.9 - 28.6	m	Q	400 - 150	l/1'
Hmin	16.5	m	Hmax	29.6	m
			P <sub>1</sub>	3030	W
	3	HP	2,2	kW	14.5
					A
	1~	220	V	60	Hz
				η	%
	60	μF	450	V	IP 44
					3500 Rpm
S/N		Ins.Cl	F	▽	m
T. MAX FLUID.	35	°C	43.5	kg	
Servizio continuo	Continuous duty				

[US GPM]

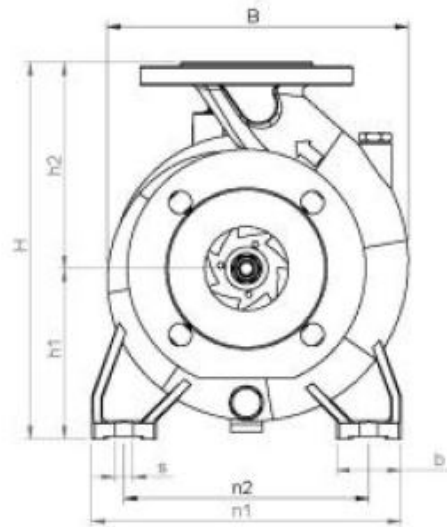
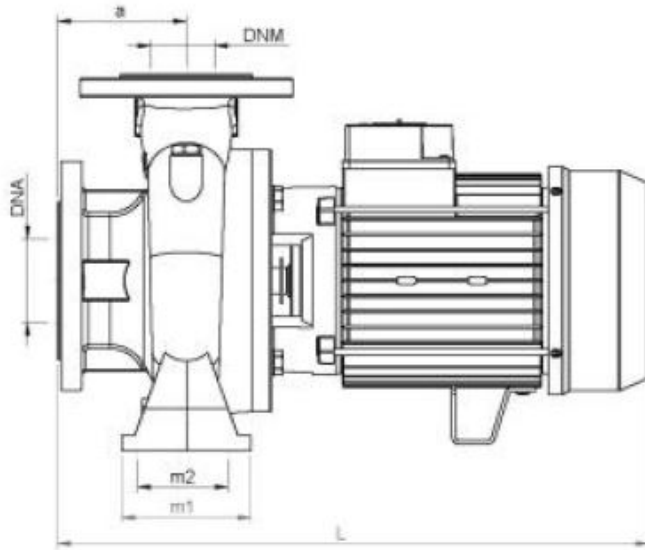
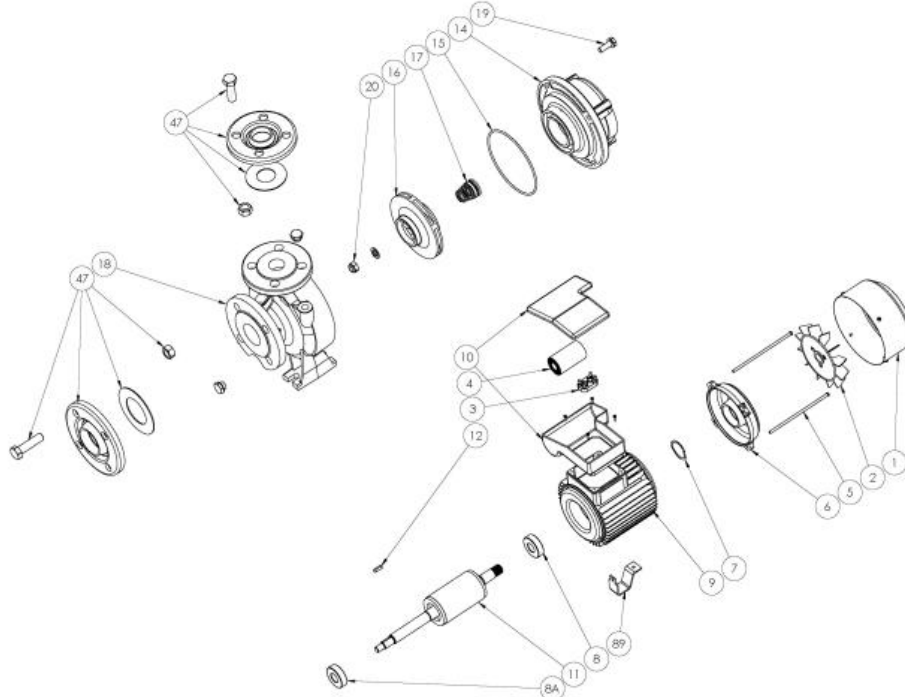


**From**  
Company: Gol pumps  
Reference:  
Address: 6520 Nw 77ct



Phone: 786-613-5872  
Email: info@golpumps.com

Sea-land reserves the right to make changes without prior notice  
Page 1/2



TIPO TYPE	DIMENSIONI [mm] DIMENSIONS [mm]																IMBALLO [mm] PACKING [mm]			PESO WEIGHT
	A	B1	S	L	B	H	n1	n2	m1	m2	H1	H2	K man	K asp	B asp	B man	Ai	Pi	Li	[kg]
CN 32-160 B M	80	50	14	437	240	292	240	190	100	70	132	160	100	125	19	18	380	530	330	43.5

TIPO TYPE	DIMENSIONI [mm] DIMENSIONS [mm]			
	n° asp	n° man	DNA (inch)	DNM (inch)
CN 32-160 B M	4	4	50 (2")	32 (1 1/4")

**From**  
Company: Gol pumps  
Reference:  
Address: 6520 Nw 77ct



Phone: 786-613-5872  
Email: info@golpumps.com

Sea-land reserves the right to make changes without prior notice  
Page 2 / 2