





TECHNICAL FEATURES

- Pump body: cast iron G20 with anti-corrosive coating
- Motor bracket: cast iron G20 with anti-corrosive coating
- in/outlet: ANSI 125
- Impeller: cast iron G20 with cathaphoretic treatment
- Welding counter flanges: galvanized steel complete with EPDM gaskets
- Pump shaft: stainless steel AISI 304
- Mechanical seal: carbon-ceramics
- Welding Flanges Included

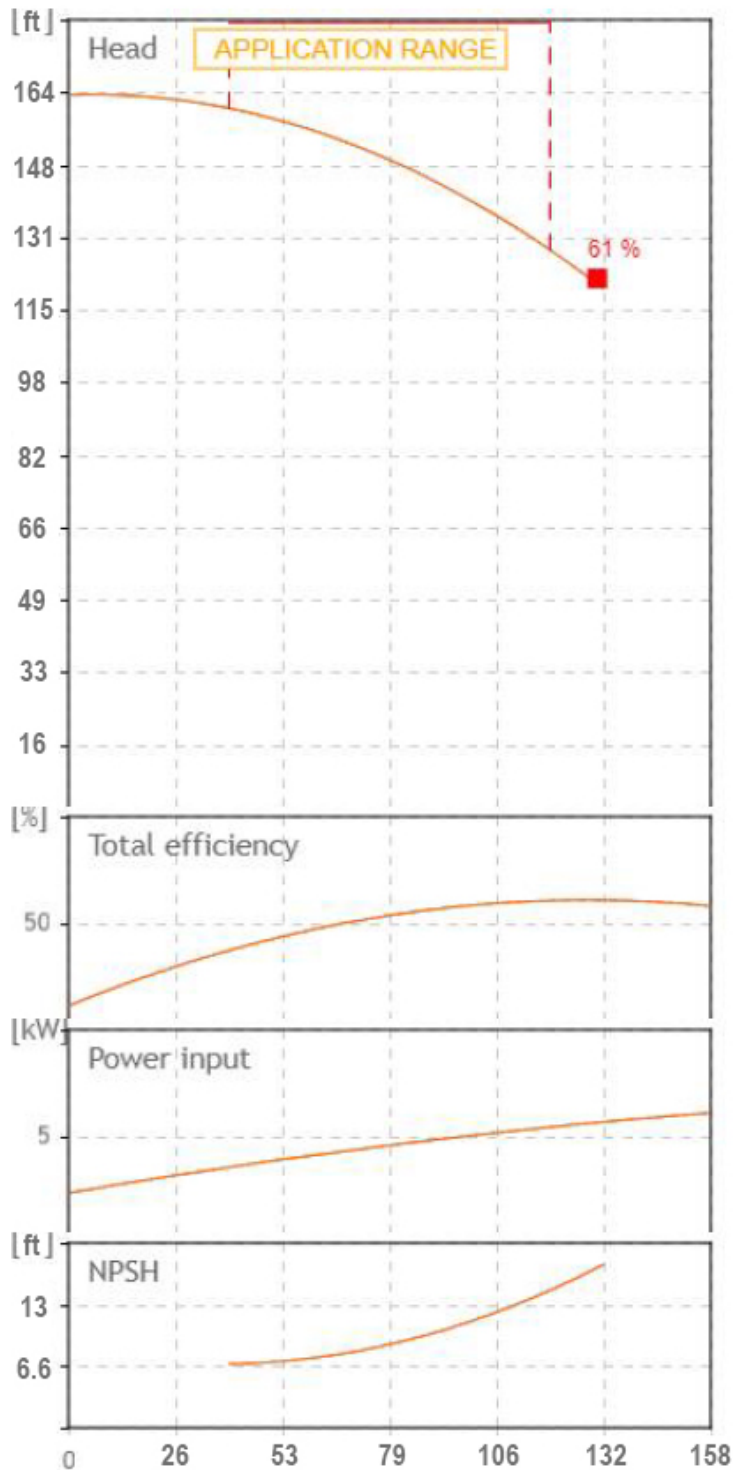
MOTOR

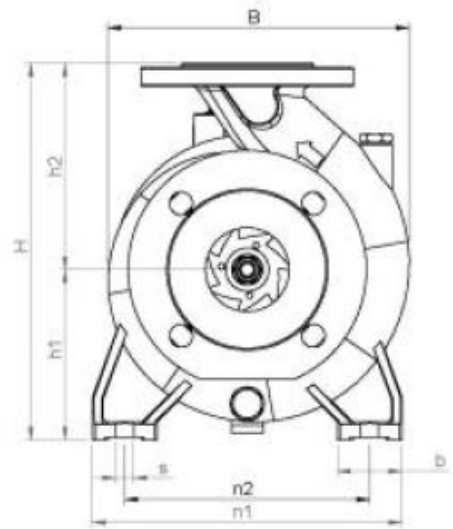
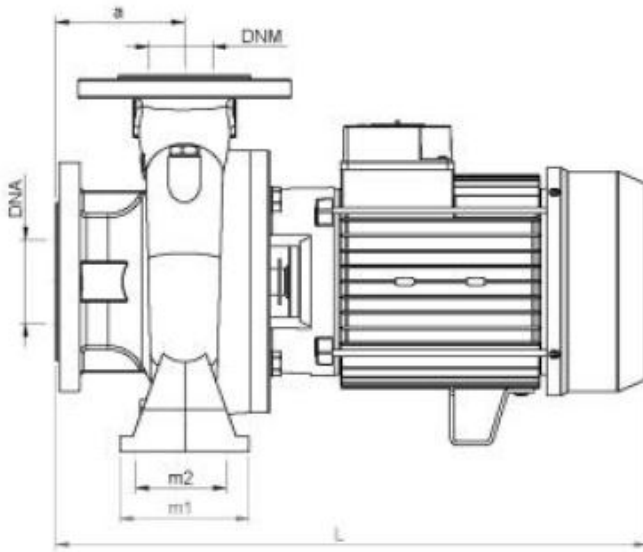
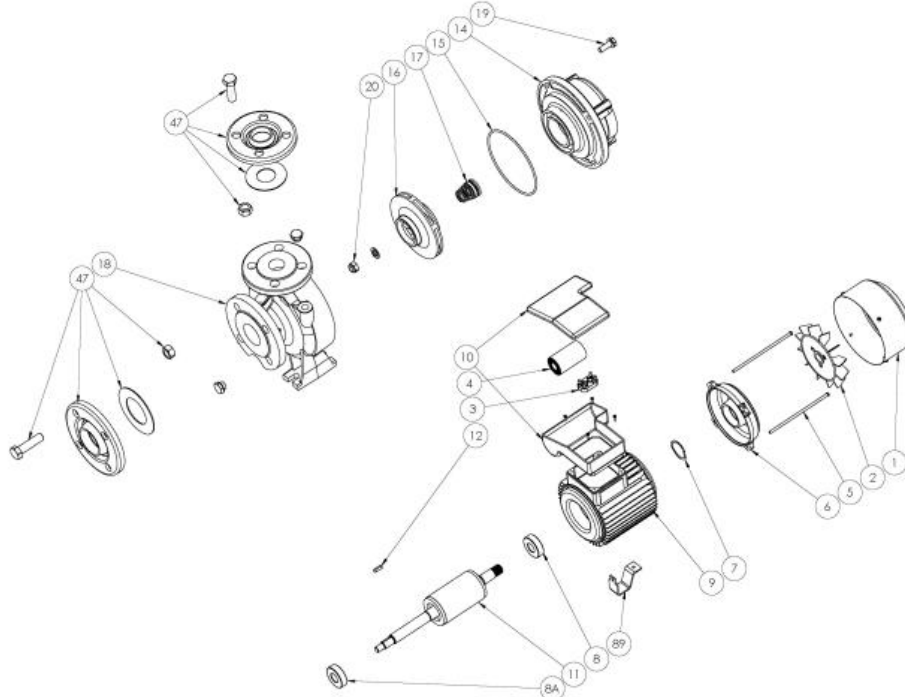
The control motors are asynchronous, squirrel cage-type, closed, with external ventilation

- The motor protection for three-phase models must be installed by the customer. Equipment compliant with current standards should be used
- Class of insulation: F
- Service: S1
- Degree of protection: Three Phase 55
- Terminal board protection IP 54

		SEA LAND S.r.l. (PD) ITALY www.sea-land.it		 MADE IN ITALY	
Type CN 32-200 B					
H	38.8 - 49	m	Q	450 - 150	l/1'
Hmin	36.9	m	Hmax	49.5	m
			P1	5930	W
	7,5	HP	5,5	kW	17.7 - 8.8
					A
3~	220 / 460	V	60	Hz	η
					%
	μF	V	IP	55	3500 Rpm
S/N		Ins.Cl	F	▽	m
T. MAX FLUID.	35	°C	67.5	kg	
Servizio continuo	Continuos duty				

Tolerance of curves to ISO 9906





TIPO TYPE	DIMENSIONI [mm] DIMENSIONS [mm]																IMBALLO [mm] PACKING [mm]			PESO WEIGHT
	A	B1	S	L	B	H	n1	n2	m1	m2	H1	H2	K asp	K man	B asp	B man	Ai	Pi	Li	[kg]
CN 32-200 B	80	50	14	495	273	340	240	190	100	70	160	180	125	100	19	18	450	650	370	67.5

TIPO TYPE	DIMENSIONI [mm] DIMENSIONS [mm]			
	n° asp		n° man	
CN 32-200 B	4		4	
	DNA (inch)		DNM (inch)	
	50 (2")		32 (1 1/4")	

From
Company: Gol pumps
Reference:
Address: 6520 Nw 77ct



Phone: 786- 613-5872
Email: info@golpumps.com

Sea-land reserves the right to make changes without prior notice
Page 2 / 2