



TECHNICAL FEATURES

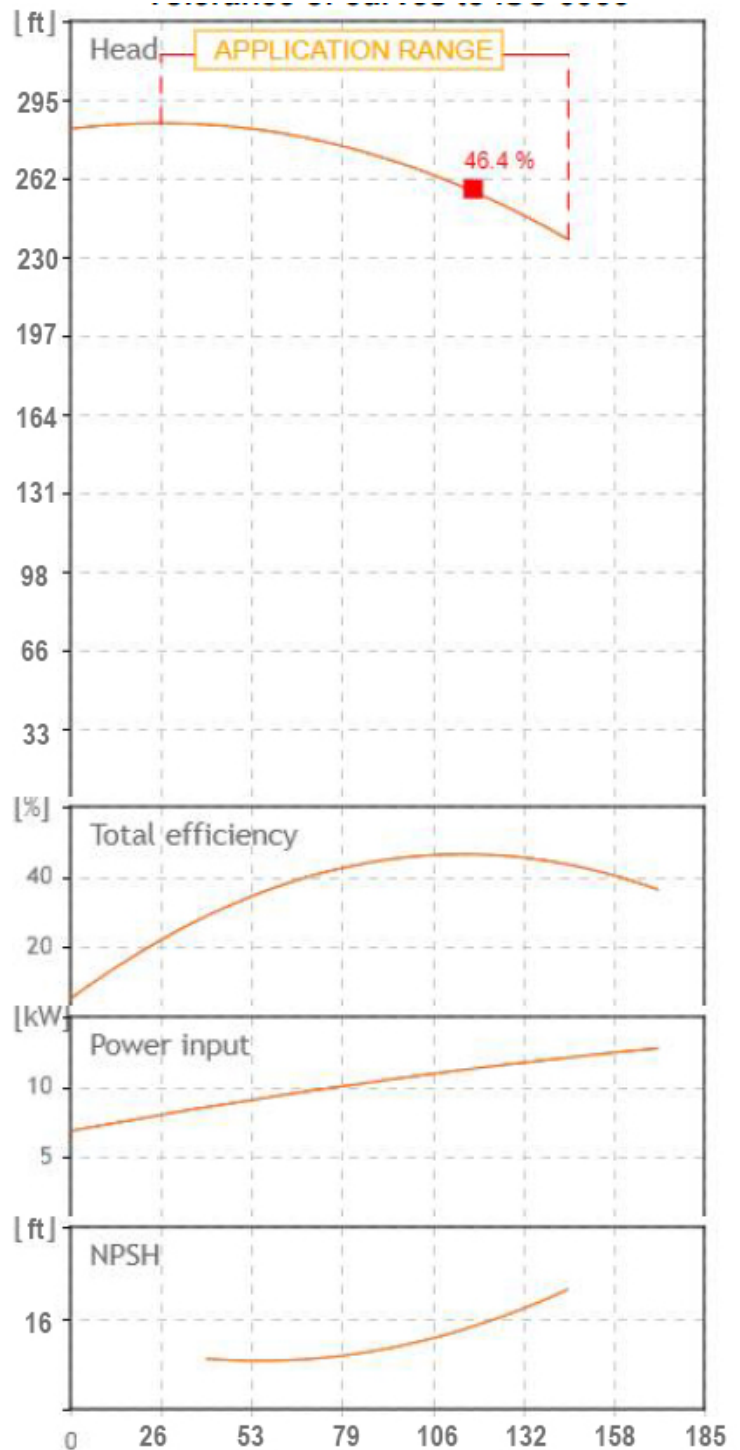
- Pump body: cast iron G20 with anti-corrosive coating
- Motor bracket: cast iron G20 with anti-corrosive coating
- in/outlet: ANSI 125
- Impeller: cast iron G20 with cathaporetic treatment
- Welding counter flanges: galvanized steel complete with EPDM gaskets
- Pump shaft: stainless steel AISI 304
- Mechanical seal: carbon-ceramics
- Welding Flanges Included



MOTOR

The control motors are asynchronous, squirrel cage-type, closed, with external ventilation

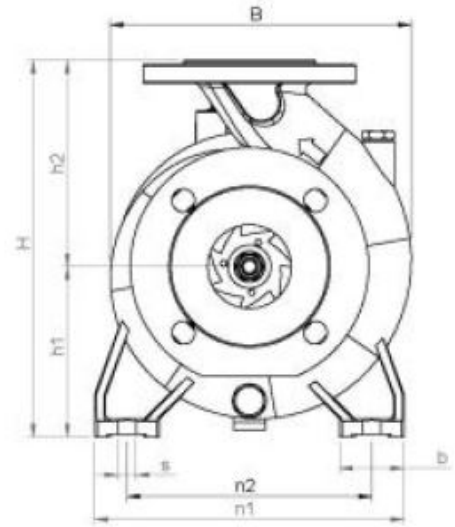
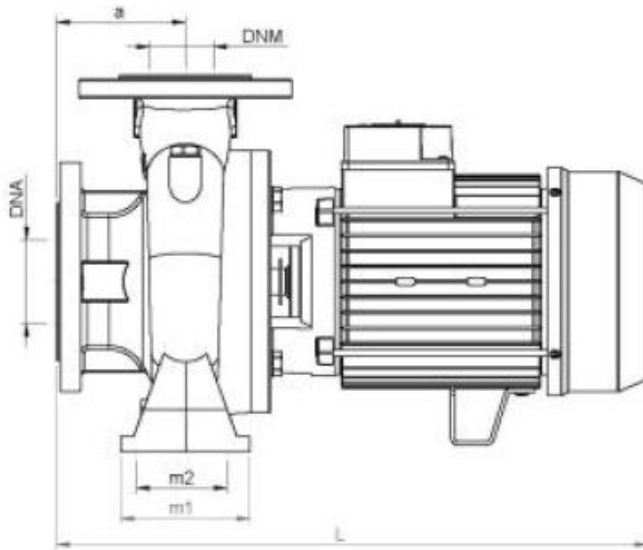
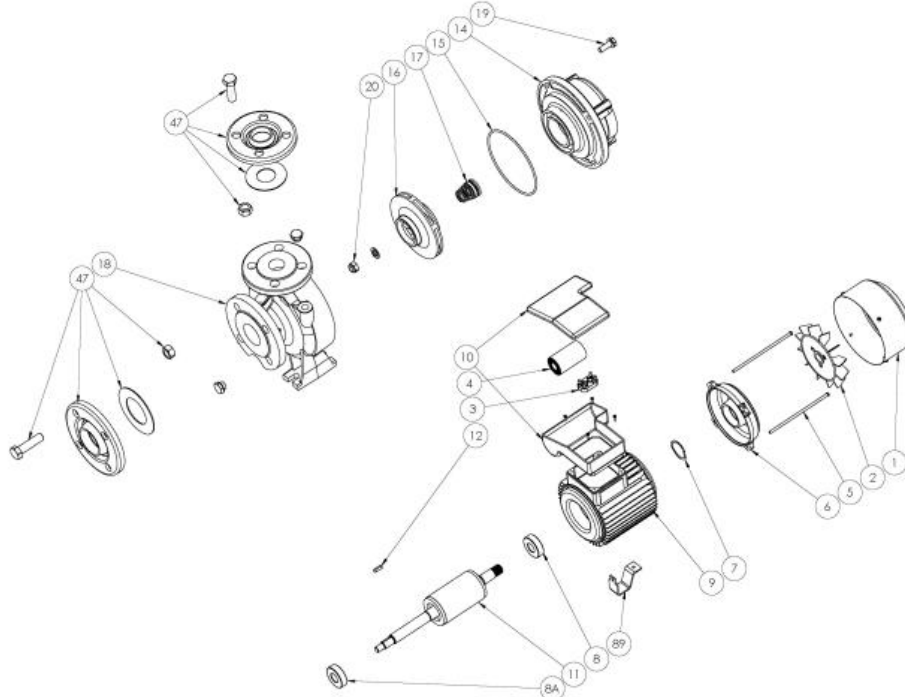
- The motor protection for three-phase models must be installed by the customer. Equipment compliant with current standards should be used
- Class of insulation: F
- Service: S1
- Degree of protection: Three Phase 55
- Terminal board protection IP 54

Tolerance of curves to ISO 9906



		SEA LAND S.r.l. (PD) ITALY www.sea-land.it		 MADE IN ITALY	
Type CN 32-250 B					
H	71.8 - 86.8	m	Q	550 - 100	l/1'
Hmin	71.8	m	Hmax	86.8	m
	15	HP	11	kW	32.5 - 16.5
	3~	220 /460	V	60	Hz
	μF	V	IP	55	3500 Rpm
S/N	Ins.Cl F		▽	m	
T. MAX FLUID.	35 °C	105	kg		
Servizio continuo	Continuos duty				





TIPO TYPE	DIMENSIONI [mm] DIMENSIONS [mm]															IMBALLO [mm] PACKING [mm]			PESO WEIGHT	
	A	B1	S	L	B	H	n1	n2	m1	m2	H1	H2	K asp	K man	B asp	B man	Ai	Pi	Li	[kg]
CN 32-250 B	100	65	14	600	326	405	320	255	125	95	180	225	125	100	19	18	480	720	430	105

TIPO TYPE	DIMENSIONI [mm] DIMENSIONS [mm]			
	n° asp	n° man	DNA (inch)	DNM (inch)
CN 32-250 B	4	4	50 (2")	32 (1 1/4")

**From**  
Company: Gol pumps  
Reference:  
Address: 6520 Nw 77ct



Phone: 786-613-5872  
Email: info@golpumps.com

Sea-land reserves the right to make changes without prior notice  
Page 2 / 2