





TECHNICAL FEATURES

- Pump body: cast iron G20 with anti-corrosive coating
- Motor bracket: cast iron G20 with anti-corrosive coating
- in/outlet: ANSI 125
- Impeller: cast iron G20 with cataphoretic treatment
- Welding counter flanges: galvanized steel complete with EPDM gaskets
- Pump shaft: stainless steel AISI 304
- Mechanical seal: carbon-ceramics
- Welding Flanges Included

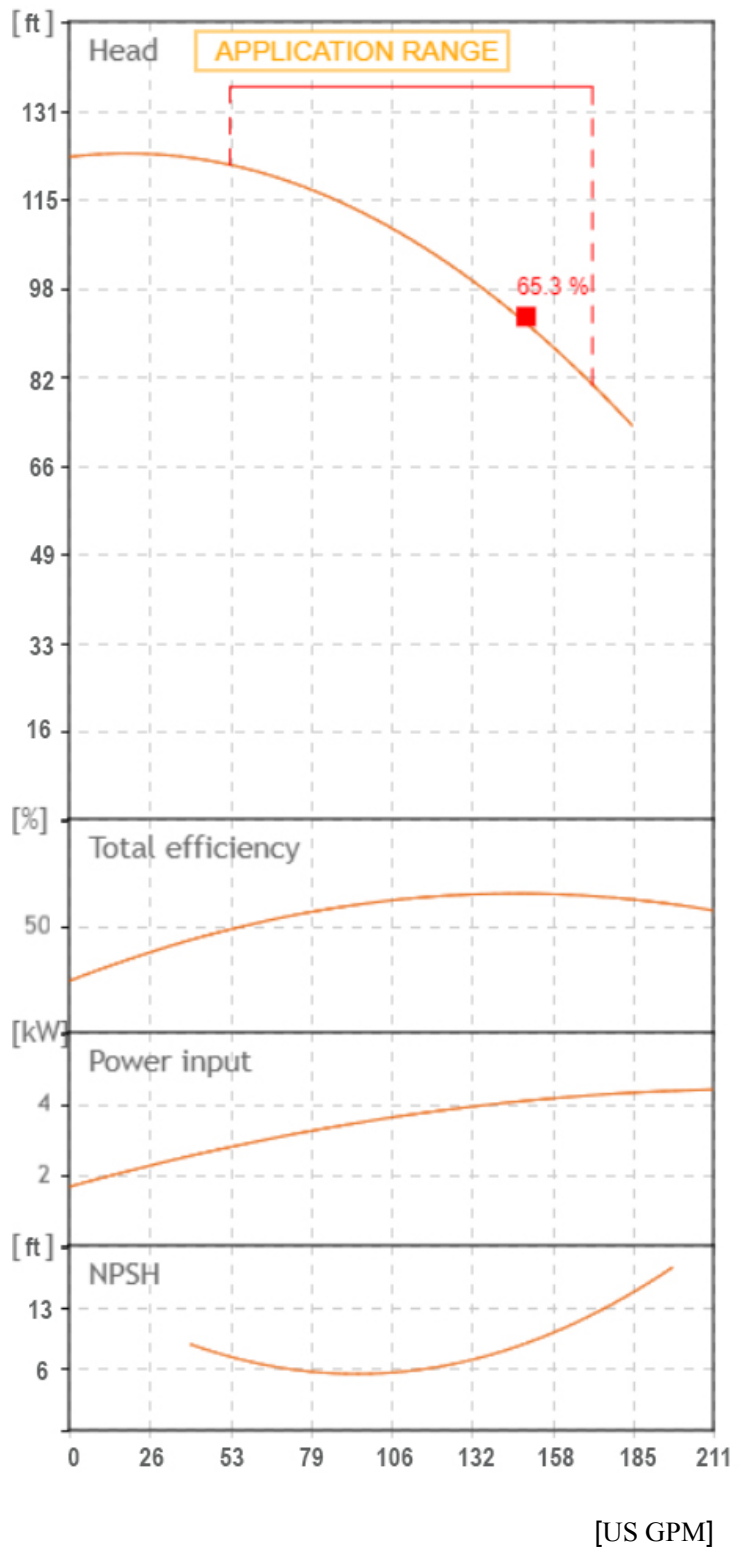
MOTOR

The control motors are asynchronous, squirrel cage-type, closed, with external ventilation

- The motor protection for three-phase models must be installed by the customer. Equipment compliant with current standards should be used
- Class of insulation: F
- Service: S1
- Degree of protection: Three Phase 55
- Terminal board protection IP 54

		SEA LAND S.r.l. (PD) ITALY www.sea-land.it		 MADE IN ITALY	
Type CN 40-160 A					
H	24.3 - 36.7	m	Q	650 - 200	l/1'
Hmin	22.3	m	Hmax	37.3	m
			P ₁	3980	W
	5,5	HP	4	kW	12.9 - 7.9
					A
1~	220 / 460	V	60	Hz	η
					%
	μF	V	IP 55		3500 Rpm
S/N		Ins.Cl F	▽		m
T. MAX FLUID.	35 °C	52	kg		
Servizio continuo					Continuous duty

Tolerance of curves to ISO 9906

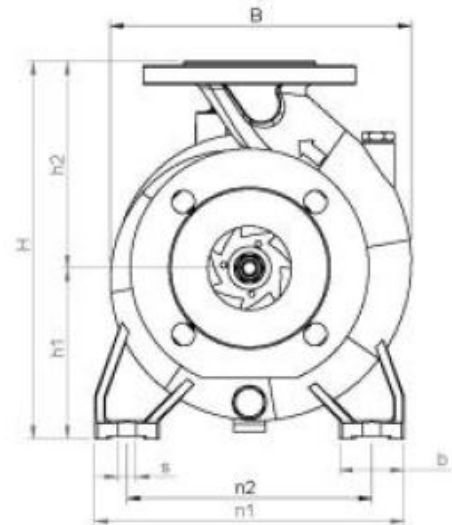
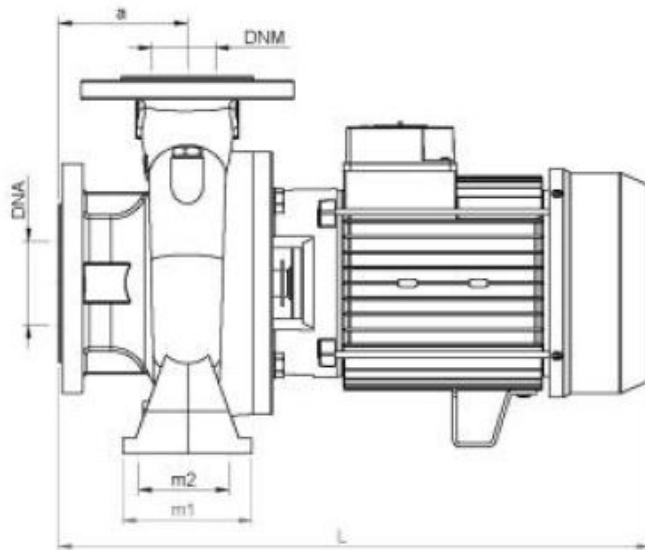
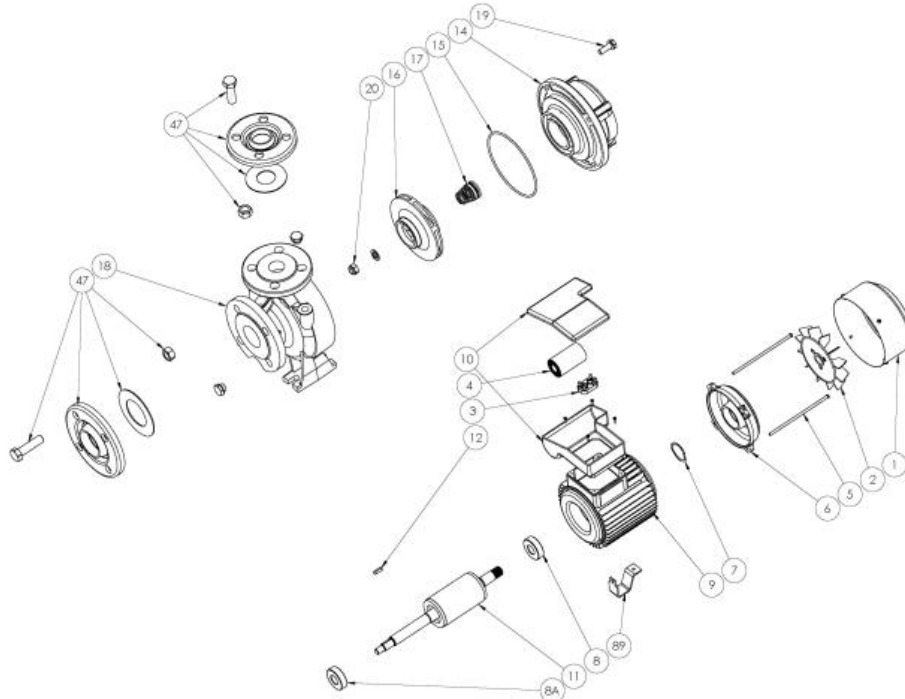


From
Company: Gol pumps
Reference:
Address: 6520 Nw 77ct



Phone: 786-613-5872
mail: info@golpumps.com

Sea-land reserves the right to make changes without prior notice
Page 2 / 2



TIPO TYPE	DIMENSIONI [mm] DIMENSIONS [mm]																IMBALLO [mm] PACKING [mm]			PESO WEIGHT
	A	B1	S	L	B	H	n1	n2	m1	m2	H1	H2	K man	K asp	B asp	B man	Ai	Pi	Li	[kg]
CN 40-160 A	80	50	14	437	216	252	210	160	100	70	112	140	110	145	19	18	380	530	330	52

TIPO TYPE	DIMENSIONI [mm] DIMENSIONS [mm]			
	n° asp	n° man	DNA (inch)	DNM (inch)
CN 40-160 A	4	4	65 (2.5")	40 (1.5")

From
Company: Gol pumps
Reference:
Address: 6520 Nw 77ct



Phone: 786-613-5872
Email: info@golpumps.com

Sea-land reserves the right to make changes without prior notice
Page 2 / 2