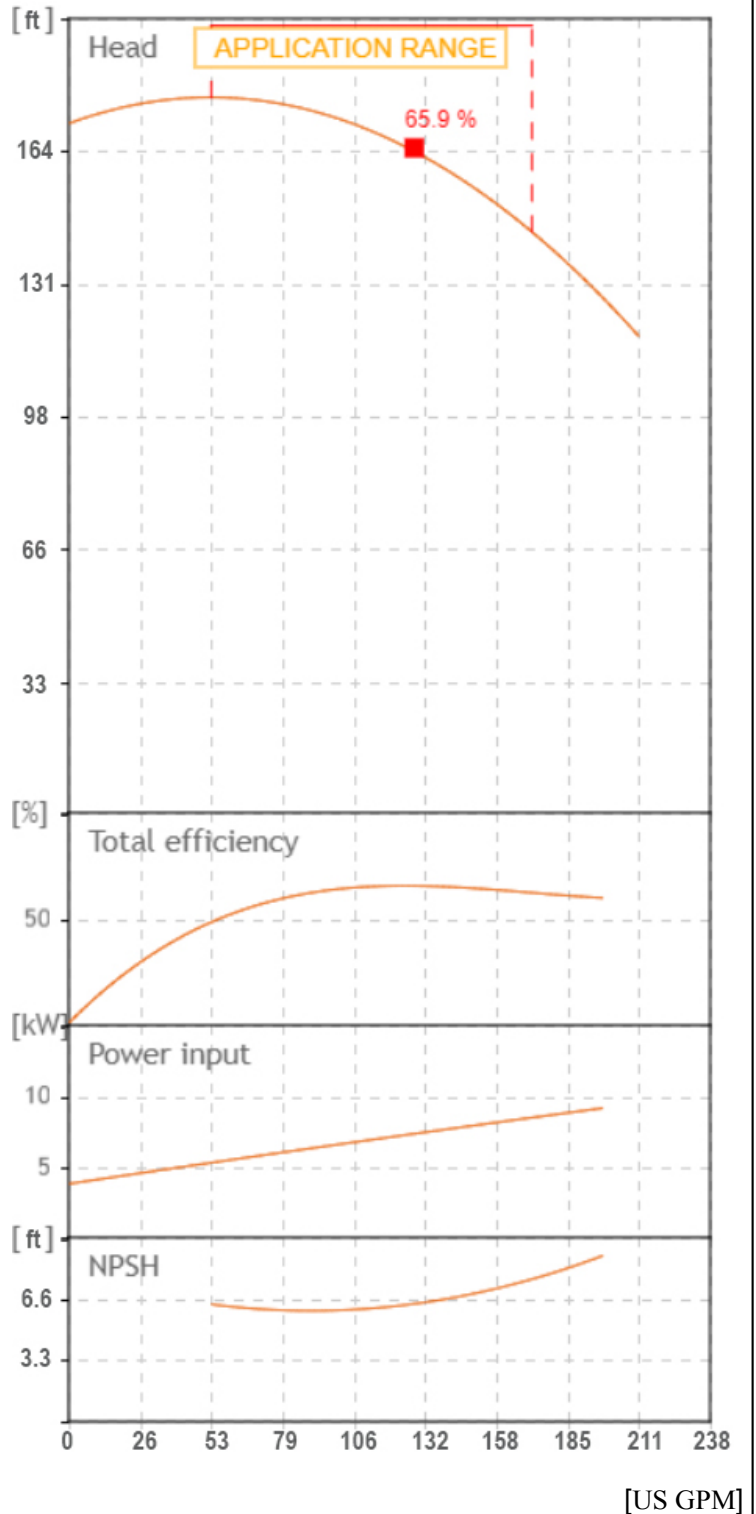




Tolerance of curves to ISO 9906





TECHNICAL FEATURES

- Pump body: cast iron G20 with anti-corrosive coating
- Motor bracket: cast iron G20 with anti-corrosive coating
- in/outlet: ANSI 125
- Impeller: cast iron G20 with cataphoretic treatment
- Welding counter flanges: galvanized steel complete with EPDM gaskets
- Pump shaft: stainless steel AISI 304
- Mechanical seal: carbon-ceramics
- Welding Flanges Included

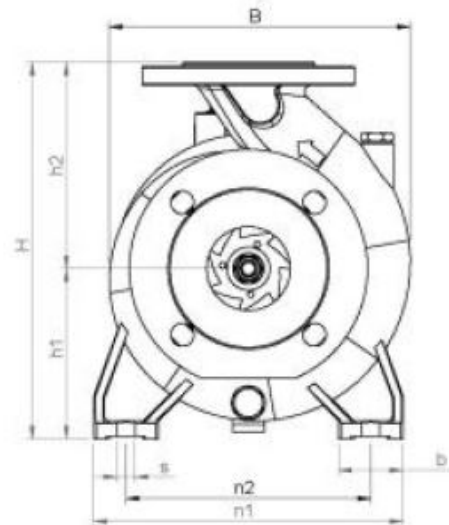
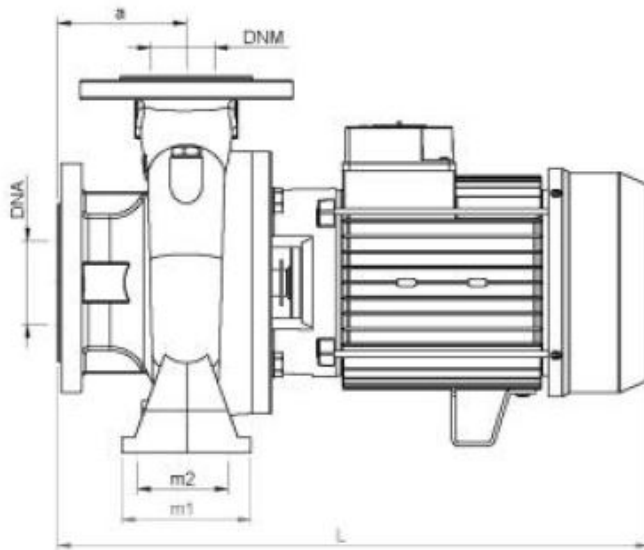
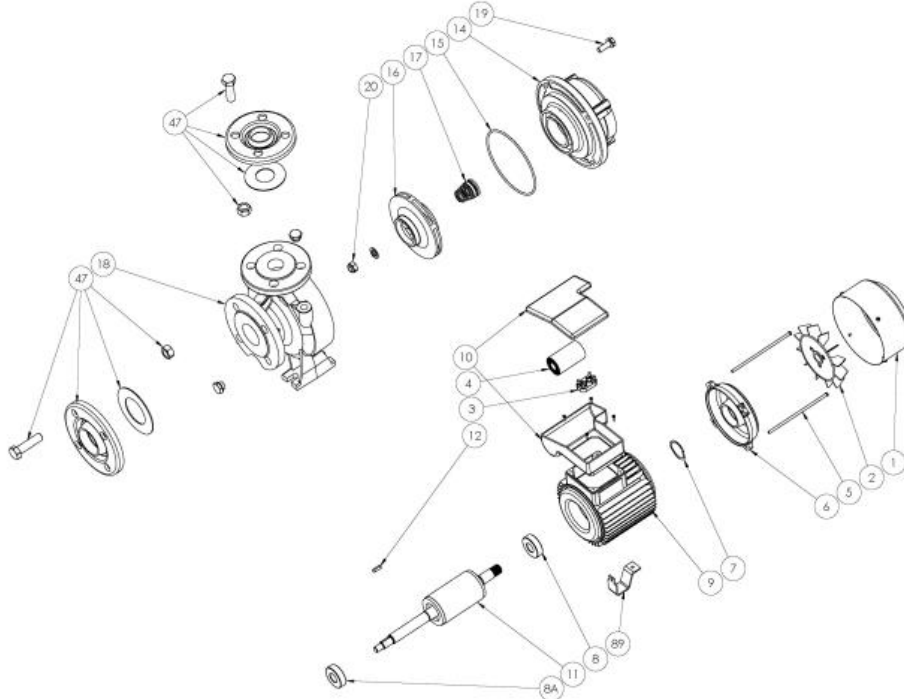
MOTOR

The control motors are asynchronous, squirrel cage-type, closed, with external ventilation

- The motor protection for three-phase models must be installed by the customer. Equipment compliant with current standards should be used
- Class of insulation: F
- Service: S1
- Degree of protection: Three Phase 55
- Terminal board protection IP 54

		SEA LAND S.r.l. (PD) ITALY www.sea-land.it				MADE IN ITALY	
Type CN 40-200 A							
H 44.1 - 53.4 m		Q 650 - 200 l/1'					
Hmin 35.4 m		Hmax 52.9 m		P ₁ 7150 W			
10 HP		7,5 kW		21.1 - 10.5 A			
3~ 220 / 460 V		60 Hz		η %			
μF V		IP 55		3500 Rpm			
S/N		Ins.Cl F		▽ m			
T. MAX FLUID. 35 °C		84.5 kg					
Servizio continuo				Continuous duty			





TIPO TYPE	DIMENSIONI [mm] DIMENSIONS [mm]														IMBALLO [mm] PACKING [mm]			PESO WEIGHT		
	A	B1	S	L	B	H	n1	n2	m1	m2	H1	H2	K asp	K man	B asp	B man	Ai	Pi	Li	[kg]
CN 40-200 A	100	50	14	557	278	340	265	212	100	70	160	180	145	110	19	18	450	650	370	84.5

TIPO TYPE	DIMENSIONI [mm] DIMENSIONS [mm]			
	n° asp		n° man	
CN 40-200 A	4		4	
	DNA (inch)		DNM (inch)	
	65 (2.5")		40 (1.5")	

From
Company: Gol pumps
Reference:
Address: 6520 Nw 77ct



Phone: 786-613-5872
Email: info@golpumps.com

Sea-land reserves the right to make changes without prior notice
Page 2 / 2