



TECHNICAL FEATURES

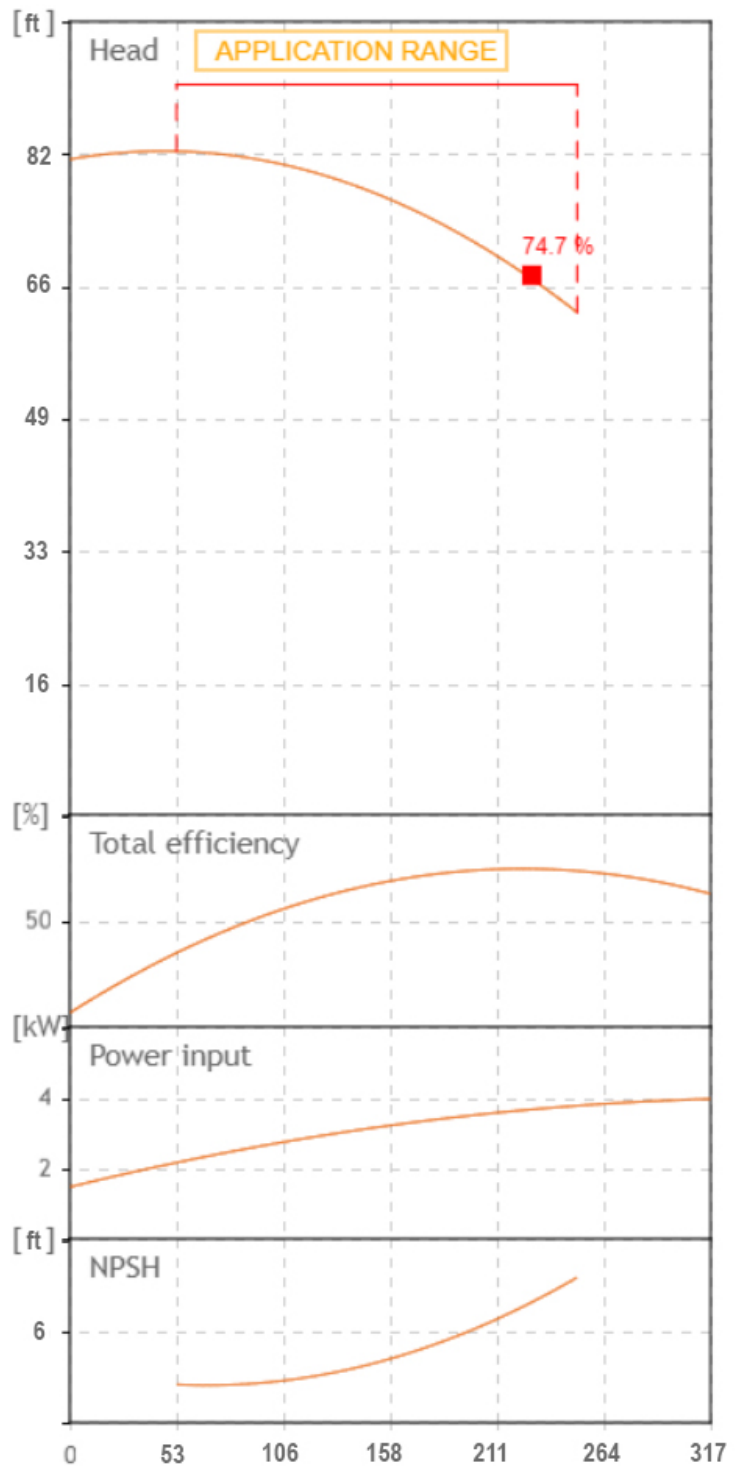
- Pump body: cast iron G20 with anti-corrosive coating
- Motor bracket: cast iron G20 with anti-corrosive coating
- in/outlet: ANSI 125
- Impeller: cast iron G20 with cataphoretic treatment
- Welding counter flanges: galvanized steel complete with EPDM gaskets
- Pump shaft: stainless steel AISI 304
- Mechanical seal: carbon-ceramics
- Welding Flanges Included



MOTOR

The control motors are asynchronous, squirrel cage-type, closed, with external ventilation

- The motor protection for three-phase models must be installed by the customer. Equipment compliant with current standards should be used
- Class of insulation: F
- Service: S1
- Degree of protection: Three Phase 55
- Terminal board protection IP 54

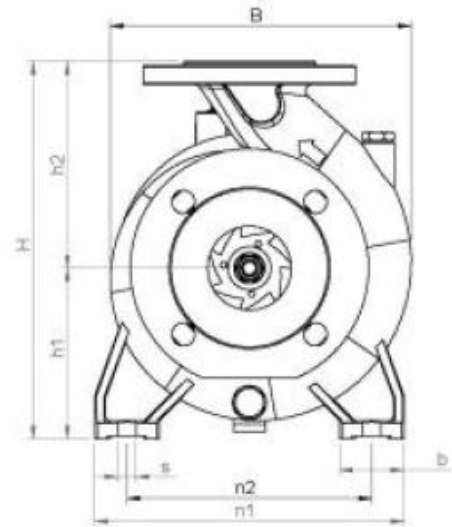
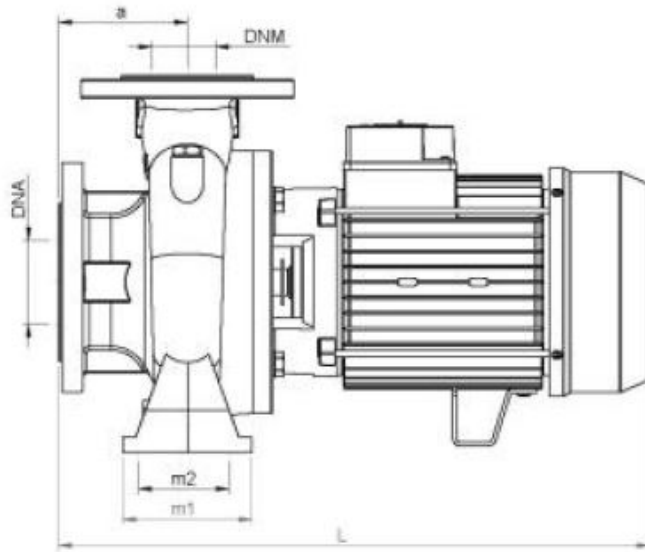
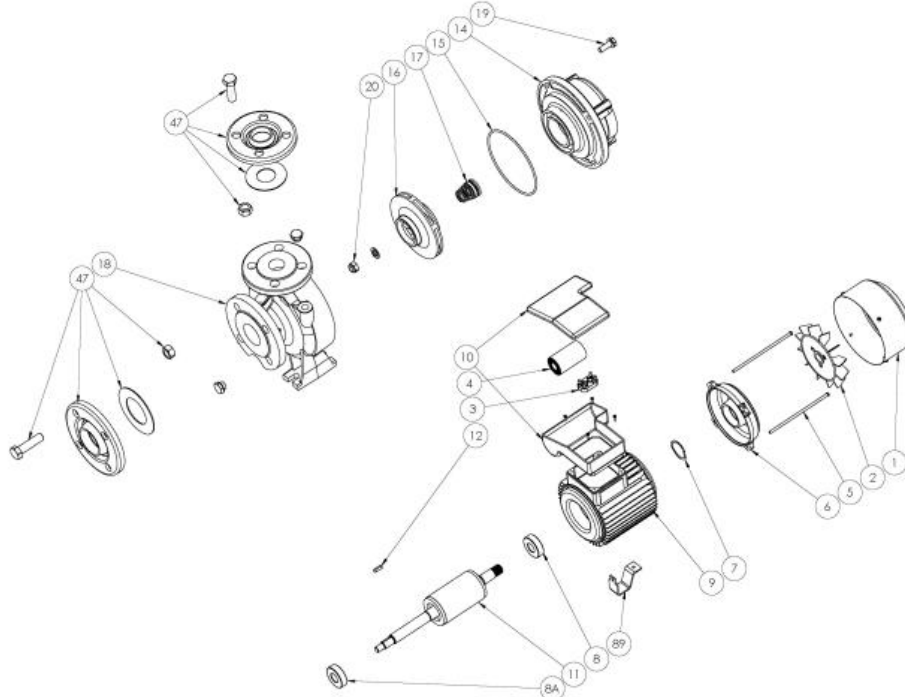
Tolerance of curves to ISO 9906



		SEA LAND S.r.l. (PD) ITALY www.sea-land.it				MADE IN ITALY	
Type CN 50-125 A							
H	18.9 - 25.2	m	Q	950 - 200	l/1'		
Hmin	18.9	m	Hmax	24.7	m	P1	4800 W
Ø	5,5	HP	4	kW	14.7 - 8.5	Ø	A
3~	220 / 460	V	60	Hz	η	%	
µF		V	IP	55	3500 Rpm		
S/N			Ins.Cl	F	▽	m	
T. MAX FLUID.	35	°C	52	kg			
Servizio continuo				Continuous duty			

[US GPM]





TIPO TYPE	DIMENSIONI [mm] DIMENSIONS [mm]																IMBALLO [mm] PACKING [mm]			PESO WEIGHT
	A	B1	S	L	B	H	n1	n2	m1	m2	H1	H2	K asp	K man	B asp	B man	Ai	Pi	Li	[kg]
CN 50-125 A	100	50	14	483	248	292	240	190	100	70	132	160	145	125	19	19	380	530	330	52

TIPO TYPE	DIMENSIONI [mm] DIMENSIONS [mm]			
	n° asp	n° man	DNA (inch)	DNM (inch)
CN 50-125 A	4	4	65 (2.5")	50 (2")

From
Company: Gol pumps
Reference:
Address: 6520 Nw 77ct



Phone: 786-613-5872
Email: info@golpumps.com

Sea-land reserves the right to make changes without prior notice
Page 2 / 2