



TECHNICAL FEATURES

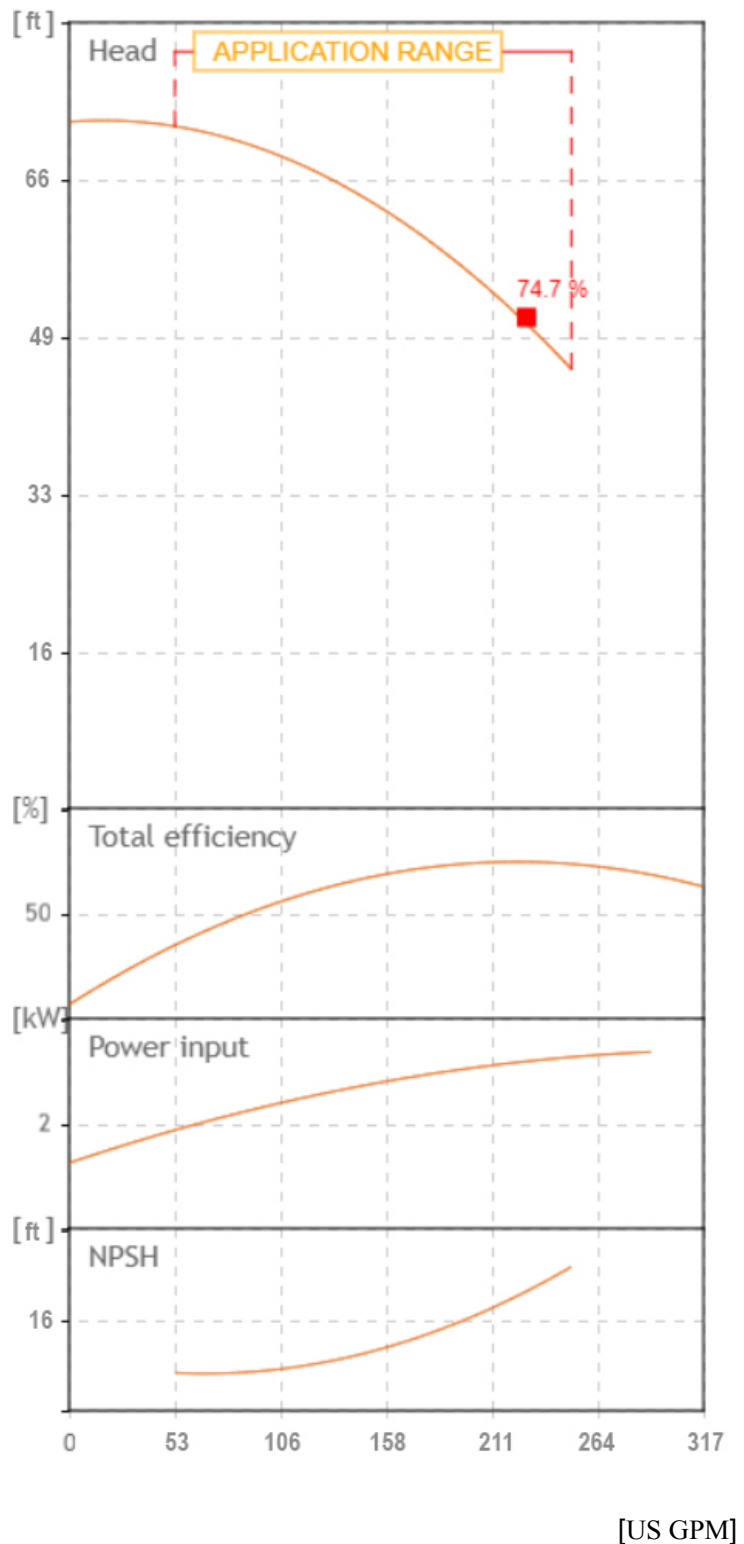
- Pump body: cast iron G20 with anti-corrosive coating
- Motor bracket: cast iron G20 with anti-corrosive coating
- in/outlet: ANSI 125
- Impeller: cast iron G20 with cathophoretic treatment
- Welding counter flanges: galvanized steel complete with EPDM gaskets
- Pump shaft: stainless steel AISI 304
- Mechanical seal: carbon-ceramics
- Welding Flanges Included


MOTOR

The control motors are asynchronous, squirrel cage-type, closed, with external ventilation

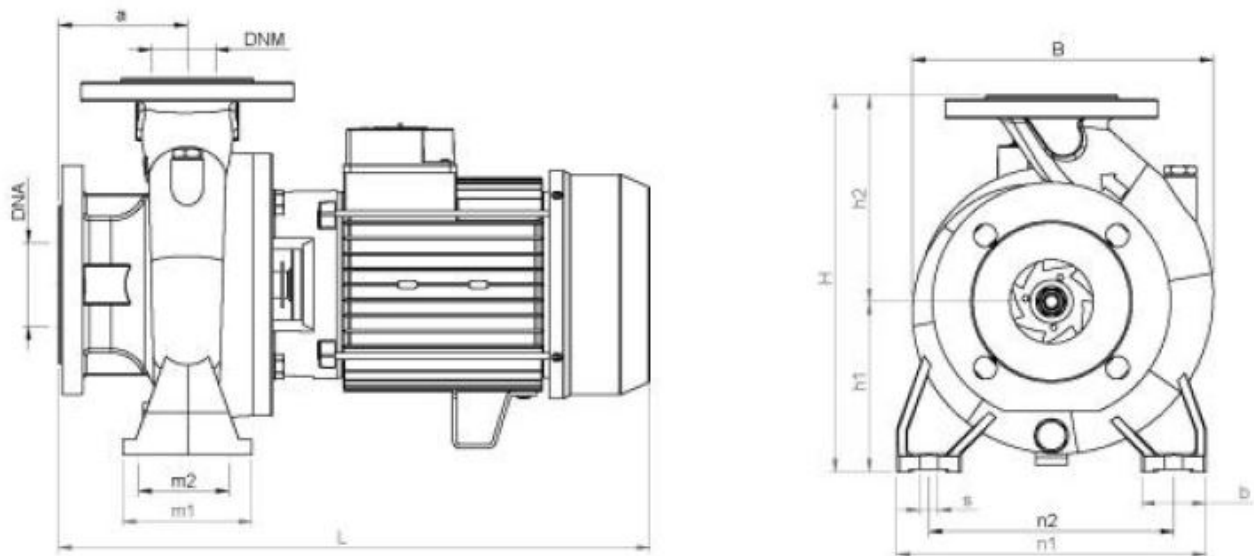
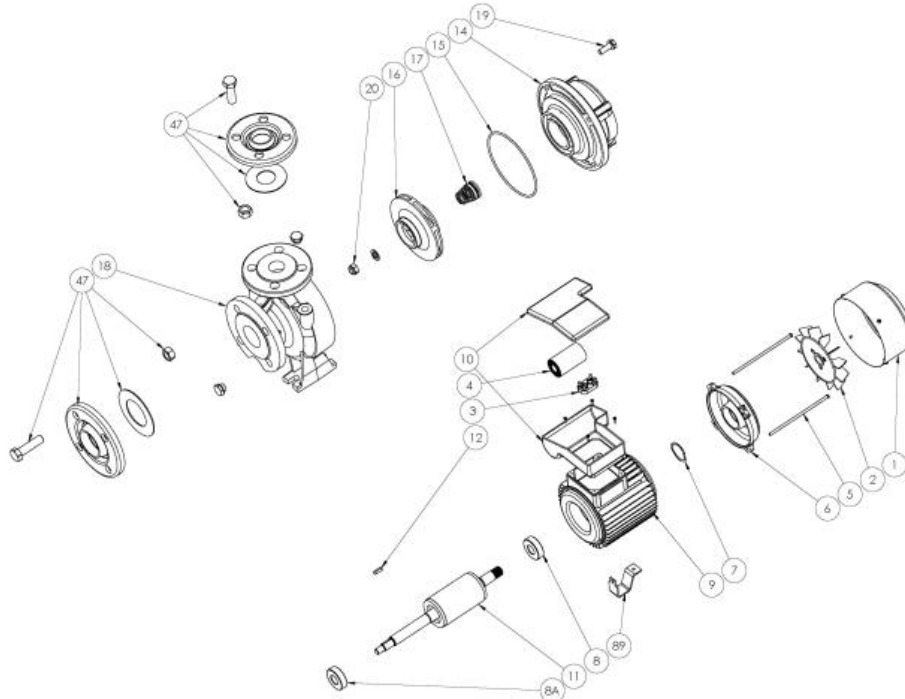
- Incorporated motor protection and capacitor always on, for single-phase models
- Class of insulation: F
- Service: S1
- Degree of protection: Single Phase IP 44
- Terminal board protection IP 54

Tolerance of curves to ISO 9906



		SEA LAND S.r.l. (PD) ITALY www.sea-land.it		CE MADE IN ITALY	
Type CN 50-125 B M					
H	14.1 - 21.8	m	Q	950 - 200	l/1'
Hmin	14.1	m	Hmax	21.8	m
			P1	4360	W
	4	HP	3	kW	19.4
					A
1~	220	V	60	Hz	η
					%
	60	μF	450V	IP 44	3500 Rpm
S/N		Ins.Cl F	▽		m
T. MAX FLUID.	35	°C	50	kg	
Servizio continuo	Continuous duty				





TIPO TYPE	DIMENSIONI [mm] DIMENSIONS [mm]															IMBALLO [mm] PACKING [mm]			PESO WEIGHT	
	A	B1	S	L	B	H	n1	n2	m1	m2	H1	H2	K asp	K man	B asp	B man	Ai	Pi	Li	[kg]
CN 50-125 B M	100	50	14	483	248	292	240	190	100	70	132	160	145	125	19	19	380	530	330	46

TIPO TYPE	DIMENSIONI [mm] DIMENSIONS [mm]			
	n° asp	n° man	DNA (inch)	DNM (inch)
CN 50-125 B M	4	4	65 (2.5")	50 (2")

From
Company: Gol pumps
Reference:
Address: 6520 Nw 77ct



Phone: 786-613-5872
Email: info@golpumps.com

Sea-land reserves the right to make changes without prior notice
Page 2 / 2