





**TECHNICAL FEATURES**

- Pump body: cast iron G20 with anti-corrosive coating
- Motor bracket: cast iron G20 with anti-corrosive coating
- in/outlet: ANSI 125
- Impeller: cast iron G20 with cataphoretic treatment
- Welding counter flanges: galvanized steel complete with EPDM gaskets
- Pump shaft: stainless steel AISI 304
- Mechanical seal: carbon-ceramics
- Welding Flanges Included

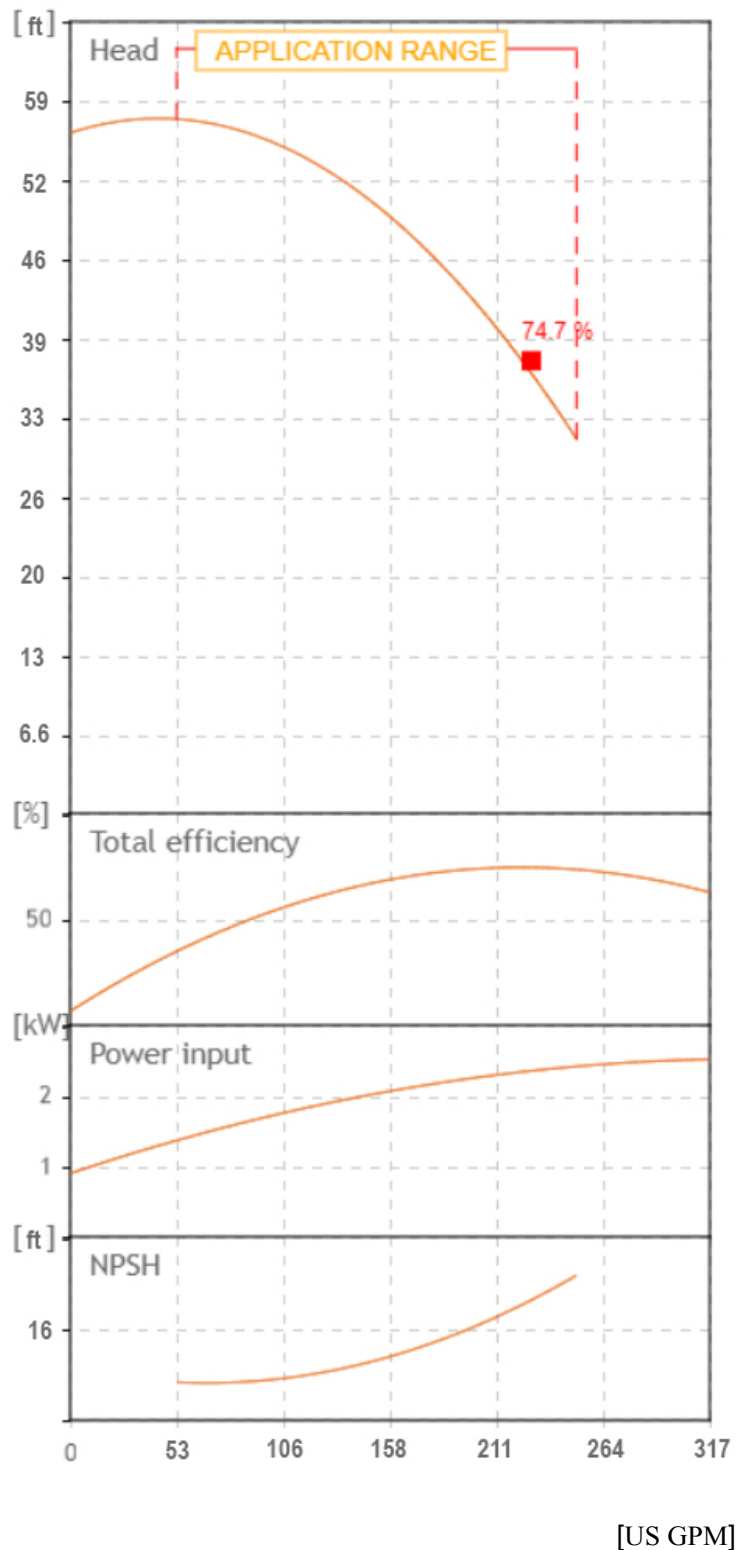
**MOTOR**

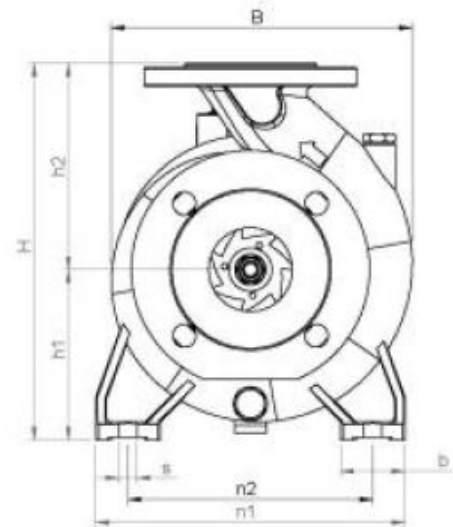
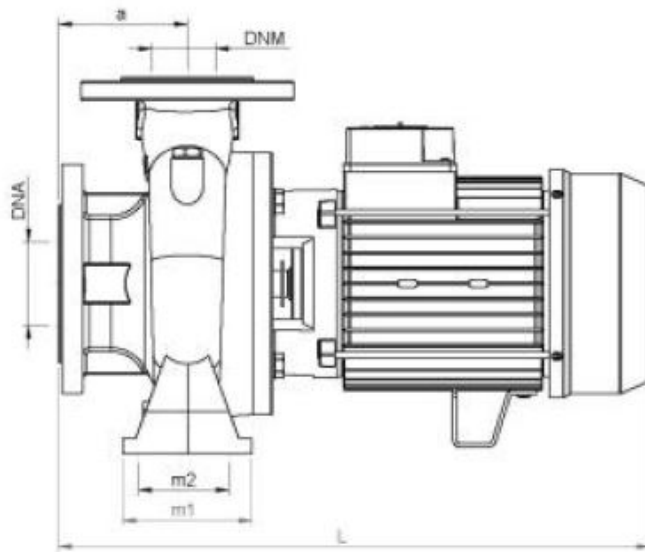
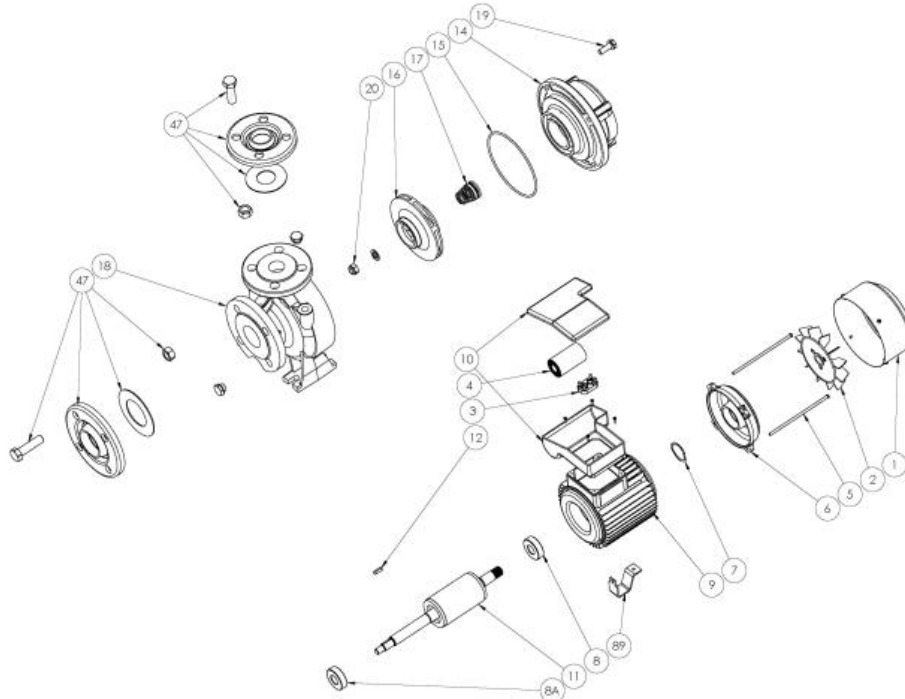
The control motors are asynchronous, squirrel cage-type, closed, with external ventilation

- Incorporated motor protection and capacitor always on, for single-phase models
- Class of insulation: F
- Service: S1
- Degree of protection: Single Phase IP 44
- Terminal board protection IP 54

		<b>SEA LAND S.r.l.</b> (PD) ITALY www.sea-land.it		 MADE IN ITALY	
Type CN 50-125 C M					
H	9.7 - 17.5	m	Q	950 - 200	l/1'
Hmin	9.7	m	Hmax	17	m
			P <sub>1</sub>	3030	W
○	3	HP	2,2	kW	14.5
					○ A
1~	220	V	60	Hz	η
					%
	60 μF	450 V	IP 44		3500 Rpm
S/N		Ins.Cl F	▽		m
T. MAX FLUID.	35 °C	45	kg		
Servizio continuo					Continuous duty

**Tolerance of curves to ISO 9906**





TIPO TYPE	DIMENSIONI [mm] DIMENSIONS [mm]																IMBALLO [mm] PACKING [mm]			PESO WEIGHT
	A	B1	S	L	B	H	n1	n2	m1	m2	H1	H2	K asp	K man	B asp	B man	Ai	Pi	Li	[kg]
CN 50-125 C M	100	50	14	457	248	292	240	190	100	70	132	160	145	125	19	19	380	530	330	41.5

TIPO TYPE	DIMENSIONI [mm] DIMENSIONS [mm]			
	n° asp	n° man	DNA (inch)	DNM (inch)
CN 50-125 C M	4	4	65 (2.5")	50 (2")

**From**  
Company: Gol pumps  
Reference:  
Address: 6520 Nw 77ct



Phone: 786-613-5872  
Email: info@golpumps.com

Sea-land reserves the right to make changes without prior notice  
Page 2/ 2