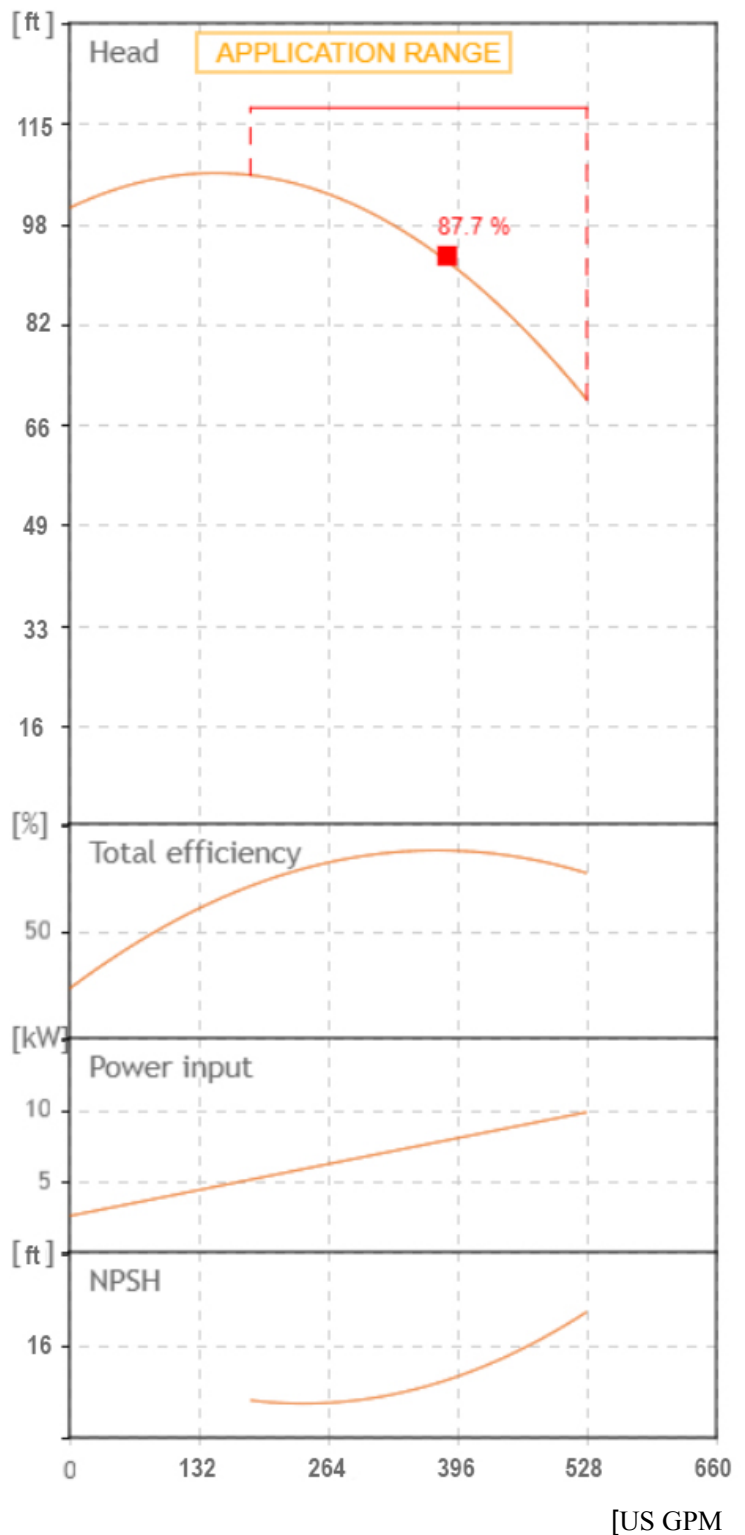




Tolerance of curves to ISO 9906




TECHNICAL FEATURES

- Pump body: cast iron G20 with anti-corrosive coating
- Motor bracket: cast iron G20 with anti-corrosive coating
- in/outlet: ANSI 125
- Impeller: cast iron G20 with cataphoretic treatment
- Welding counter flanges: galvanized steel complete with EPDM gaskets
- Pump shaft: stainless steel AISI 304
- Mechanical seal: carbon-ceramics
- Welding Flanges Included

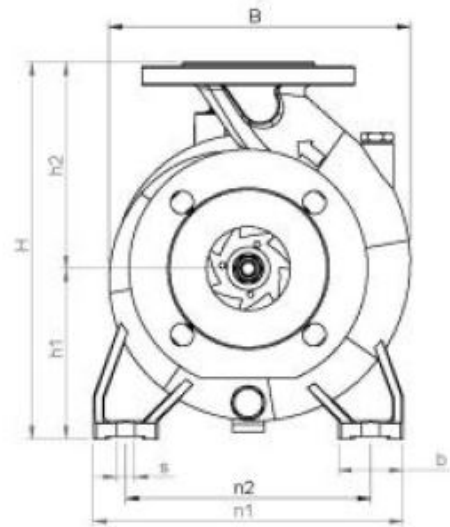
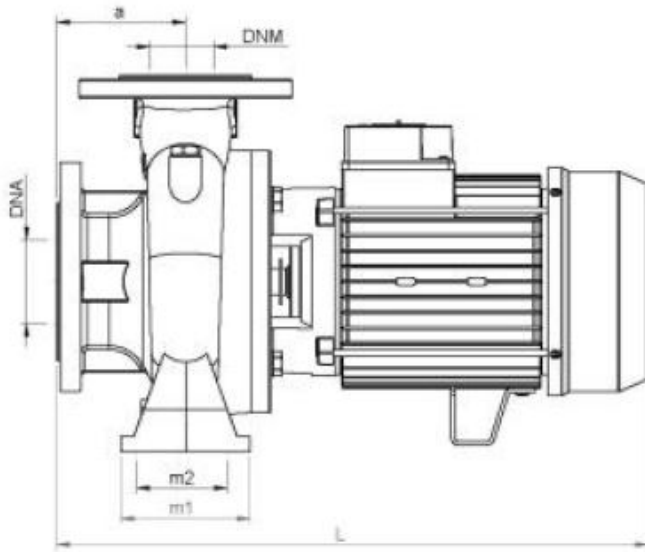
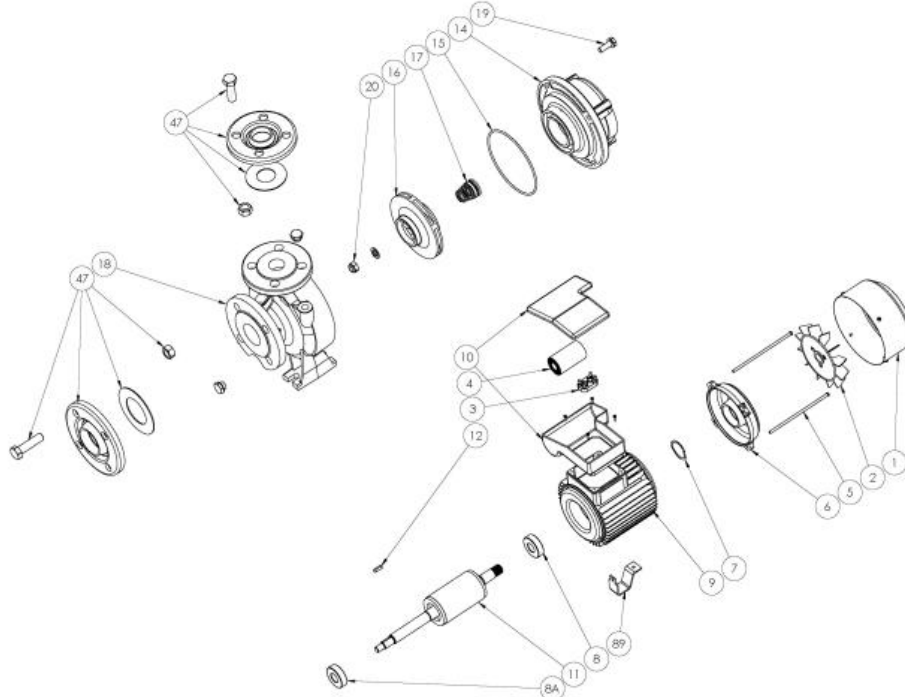
MOTOR

The control motors are asynchronous, squirrel cage-type, closed, with external ventilation

- The motor protection for three-phase models must be installed by the customer. Equipment compliant with current standards should be used
- Class of insulation: F
- Service: S1
- Degree of protection: Three Phase 55
- Terminal board protection IP 54

		SEA LAND S.r.l. (PD) ITALY www.sea-land.it		CE MADE IN ITALY	
Type CN 65-160 C					
H	21.3 - 32.5	m	Q	2000 - 700	l/1'
Hmin	21.3	m	Hmax	30.6	m
			P ₁	11500	W
	12,5	HP		9,2	kW
				32 - 18.5	A
3~	220 / 460	V		60	Hz
			η		%
	μF	V	IP	55	3500 Rpm
S/N		Ins.Cl	F	▽	m
T. MAX FLUID.	35	°C	92.5	kg	
Servizio continuo	Continuos duty				





TIPO TYPE	DIMENSIONI [mm] DIMENSIONS [mm]																IMBALLO [mm] PACKING [mm]			PESO WEIGHT
	A	B1	S	L	B	H	n1	n2	m1	m2	H1	H2	K asp	K man	B asp	B man	Ai	Pi	Li	[kg]
CN 65-160 C	100	65	14	565	290	360	280	212	125	95	160	200	160	145	22	19	450	650	370	92.5

TIPO TYPE	DIMENSIONI [mm] DIMENSIONS [mm]			
	n° asp	n° man	DNA (inch)	DNM (inch)
CN 65-160 C	4	4	80 (3")	65 (2.5")

From
Company: Gol pumps
Reference:
Address: 6520 Nw 77ct



Phone: 786-613-5872
Email: info@golpumps.com

Sea-land reserves the right to make changes without prior notice
Page 2 / 2