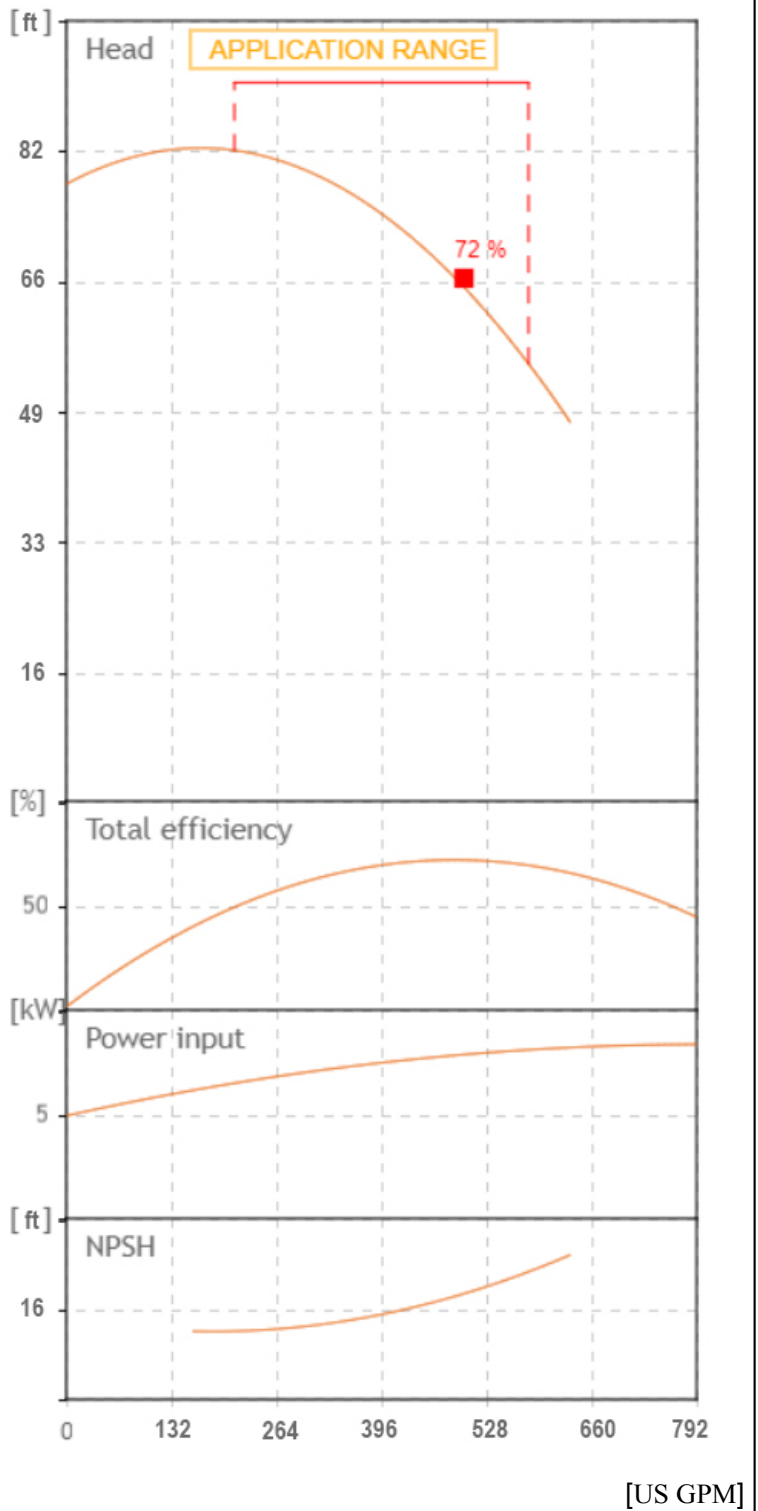




Tolerance of curves to ISO 9906





TECHNICAL FEATURES

- Pump body: cast iron G20 with anti-corrosive coating
- Motor bracket: cast iron G20 with anti-corrosive coating
- in/outlet: ANSI 125
- Impeller: cast iron G20 with cataphoretic treatment
- Welding counter flanges: galvanized steel complete with EPDM gaskets
- Pump shaft: stainless steel AISI 304
- Mechanical seal: carbon-ceramics
- Welding Flanges Included

MOTOR

The control motors are asynchronous, squirrel cage-type, closed, with external ventilation

- The motor protection for three-phase models must be installed by the customer. Equipment compliant with current standards should be used
- Class of insulation: F
- Service: S1
- Degree of protection: Three Phase 55
- Terminal board protection IP 54

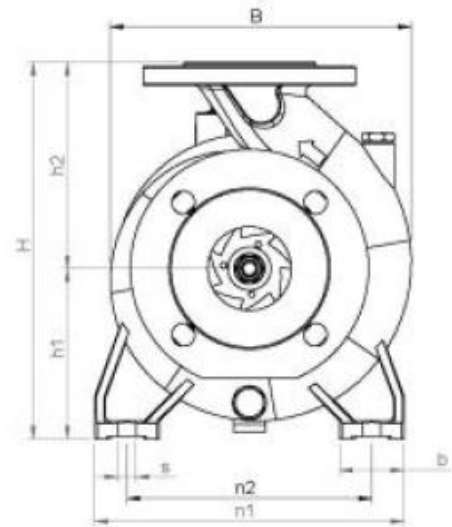
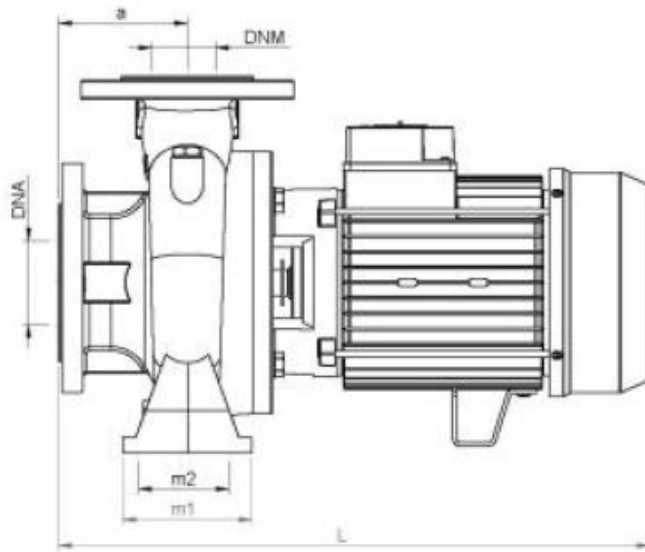
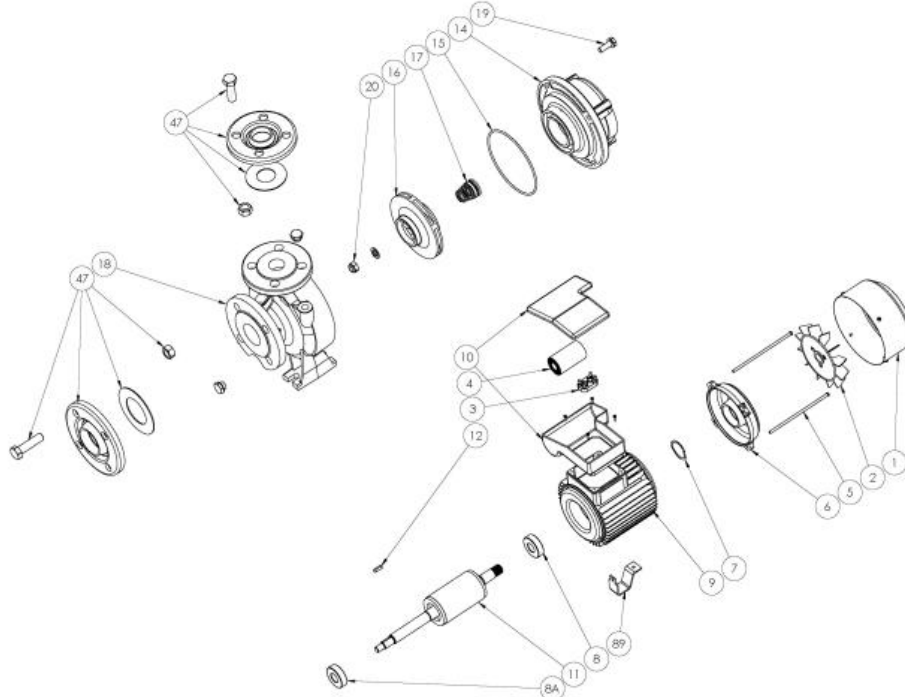
		SEA LAND S.r.l. (PD) ITALY www.sea-land.it		 MADE IN ITALY	
Type CN 80-125 A					
H	17 - 25.2	m	Q	2200 - 800	l/1'
Hmin	14.6	m	Hmax	23.3	m
			P ₁	7150	W
○	10	HP	7,5	kW	21.1 - 12.4 ○ A
3~	220 / 460	V	60	Hz	η %
μF		V	IP 55		3500 Rpm
S/N		Ins.Cl F	▽		m
T. MAX FLUID.	35 °C	86	kg		
Servizio continuo			Continuous duty		



From
Company: Gol pumps
Reference:
Address: 6520 Nw 77ct

Phone: 786-613-5872
Email: info@golpumps.com

Sea-land reserves the right to mak
exchanges without prior notice
Page 1 / 2



TIPO TYPE	DIMENSIONI [mm] DIMENSIONS [mm]																IMBALLO [mm] PACKING [mm]			PESO WEIGHT
	A	B1	S	L	B	H	n1	n2	m1	m2	H1	H2	K asp	K man	B asp	B man	Ai	Pi	Li	[kg]
CN 80-125 A	100	65	14	561	285	340	280	212	125	95	160	180	180	160	24	22	450	650	370	86

TIPO TYPE	DIMENSIONI [mm] DIMENSIONS [mm]			
	n° asp	n° man	DNA (inch)	DNM (inch)
CN 80-125 A	8	4	100 (4")	80 (3")

From
Company: Gol pumps
Reference:
Address: 6520 Nw 77ct



Phone: 786-613-5872
Email: info@golpumps.com

Sea-land reserves the right to make changes without prior notice
Page 2 / 2