



Technical Data

Centrifugal Wastewater Pump - GCVQ-212K

Revision no.

Page:

1

Receiver

From

Company name
 Respons. Department
 Person in charge
 Phone number
 Fax no
 E-mail address

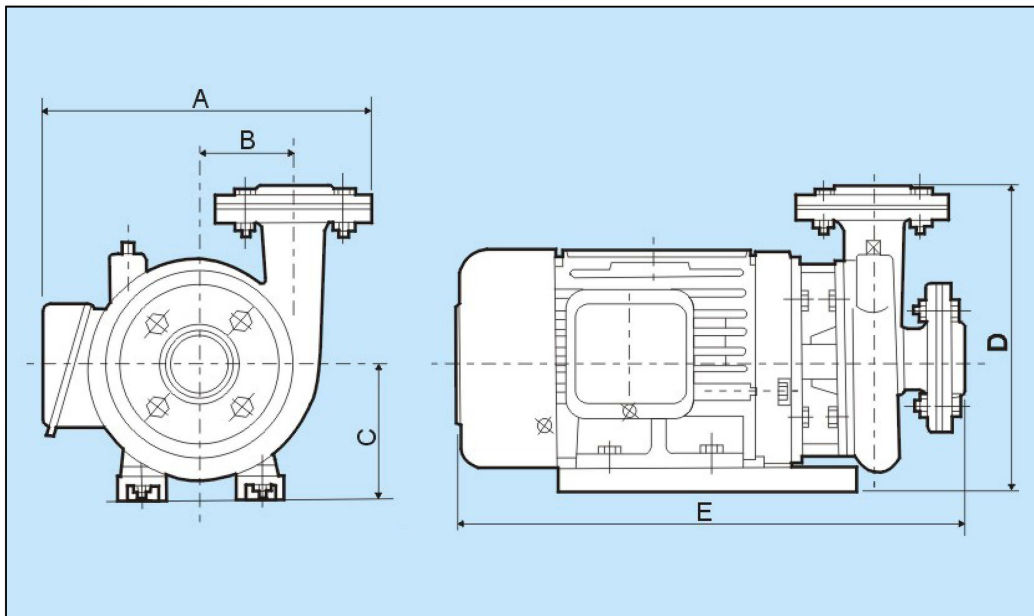


Brand: Gol Pumps
Model: GCVQ-212K

Weight (lb)

68.3

Dimensions:



Flange (inch)	
Inlet	Outlet
2	2

Pump Installation Size (inch)				
A	B	C	D	E
12.8	3.5	4.9	11.4	17.5

Project

Project ID

Created by

Created on

Last update



Performance Curves

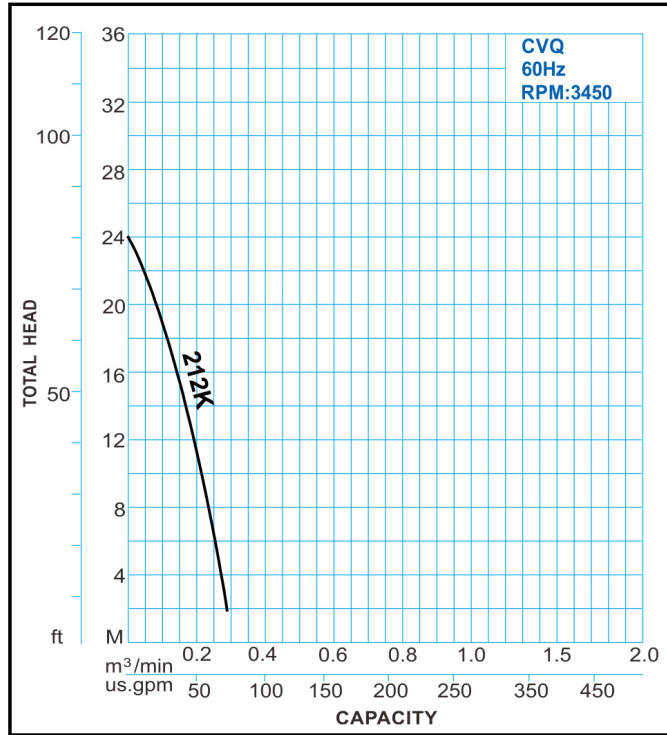
Centrifugal Wastewater Pump - GCVQ-212K

Revision no. _____
 Page: 2

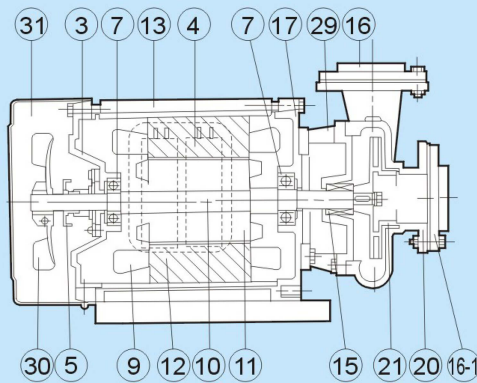
Receiver	From

Company name
 Respons. Department
 Person in charge
 Phone number
 Fax no
 E-mail address

Model	Voltage	Phase	Power		Discharge Diam.	Max. Head	Max. Flow		Solid Passage
	v	ph	hp	kw	in	ft	m ³ /min	gpm	∅ in
GCVQ-212K	230	1	2	1.5	2	78.7	0.3	79.3	0.31



Parts List:



No.	PART LIST	MATERIAL
3	Motor Head Cover	Cast Iron
4	Condenser	1∅ only
5	Centrifugal Switch	1∅ only
7	Upper Ball Bearing	
9	Coil	
10	Shaft	Stainless Steel
11	Rotor	Steel Plate
12	Stator	Steel Plate
13	Motor Casing	Cast Iron
15	Mechanical Seal	Silicon Carbide + Viton
16	Flange Setter	Stainless Steel Casting
17	Motor Lower Cover	Cast Iron
20	Pump Casing	Stainless Steel Casting
21	Impeller	Stainless Steel Casting
29	Pump Bracket	Stainless Steel Casting
30	Cooling Fan	Plastic
31	Fan Cover	Steel

Project	Project ID	Created by	Created on	Last update
---------	------------	------------	------------	-------------