



# Technical Data

## End Suction Pump - EAZS100/16-05504

Revision no.

 Page:  
1

Receiver

From

 Company name  
 Respons. Department  
 Person in charge  
 Phone number  
 Fax no  
 E-mail address

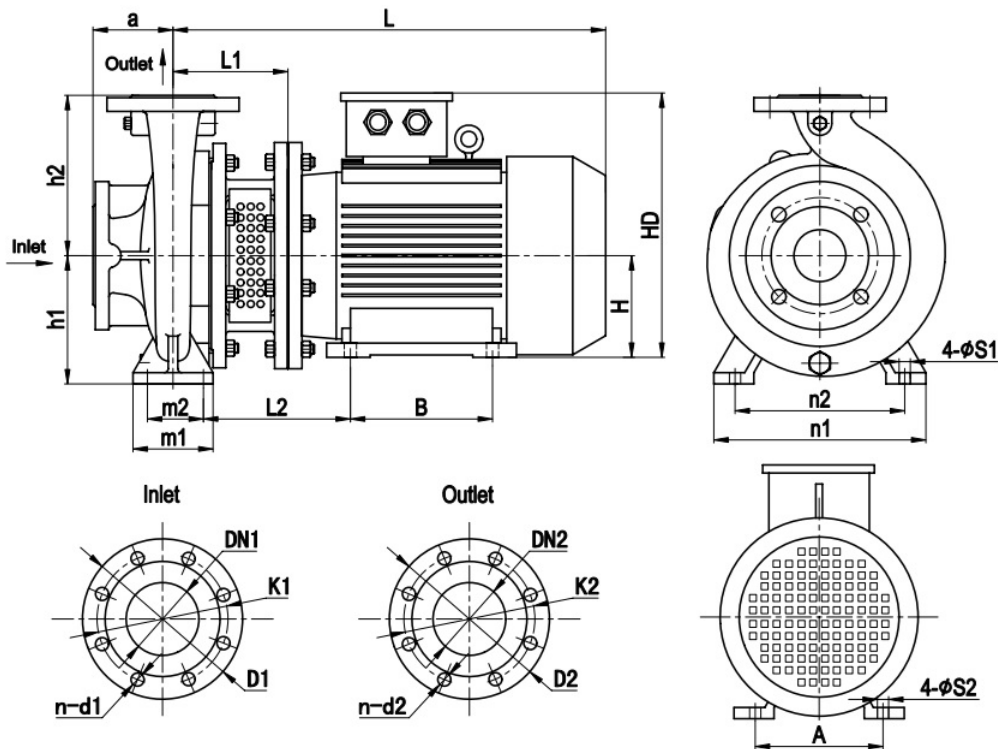
|  |  |
|--|--|
|  |  |
|--|--|



**Brand: Gol Pumps**  
**Model: EAZS100/16-05504**

| Motor (B35) |     |
|-------------|-----|
| Model       | hp  |
| Y2-132S-4   | 7.5 |

| Weight (lb) |       |              |
|-------------|-------|--------------|
| Pump        | Motor | Pump & motor |
| 159         | 143   | 302          |

**Dimensions:**


| ISO7005.2 DIN2501 PN16 GB/T17241.6 PN1.6 |       |       |       |       |       |       |       |       |        |
|--|-------|-------|-------|-------|-------|-------|-------|-------|--------|
| DN1 / DN2                                | 1.25  | 1.5   | 2     | 2.5   | 3     | 4     | 5     | 6     | 8      |
| D1 / D2                                  | 5.51  | 5.91  | 6.50  | 7.28  | 7.87  | 8.66  | 9.84  | 11.22 | 13.39  |
| K1 / K2                                  | 3.94  | 4.33  | 4.92  | 5.71  | 6.30  | 7.09  | 8.27  | 9.45  | 11.61  |
| n-d1 / n-d2                              | 4-∅18 | 4-∅18 | 4-∅18 | 4-∅18 | 8-∅18 | 8-∅18 | 8-∅18 | 8-∅22 | 12-∅22 |

| Inlet and outlet flange |     |
|-------------------------|-----|
| DN1                     | DN2 |
| 5                       | 4   |

| Pump installation size (inch) |      |      |      |      |       |      |      |      |       |      |      |       |       |      |      |
|-------------------------------|------|------|------|------|-------|------|------|------|-------|------|------|-------|-------|------|------|
| a                             | h1   | h2   | L1   | L2   | L     | A    | B    | H    | HD    | m1   | m2   | n1    | n2    | S1   | S2   |
| 4.92                          | 7.87 | 9.84 | 8.43 | 9.57 | 23.78 | 8.50 | 5.51 | 5.20 | 13.58 | 6.30 | 4.72 | 14.17 | 11.02 | 0.71 | 0.47 |

|         |            |            |            |             |
|---------|------------|------------|------------|-------------|
| Project | Project ID | Created by | Created on | Last update |
|---------|------------|------------|------------|-------------|



# Performance Curves

## End Suction Pump - EAZS100/16-05504

Revision no. \_\_\_\_\_  
 \_\_\_\_\_

Page: 2

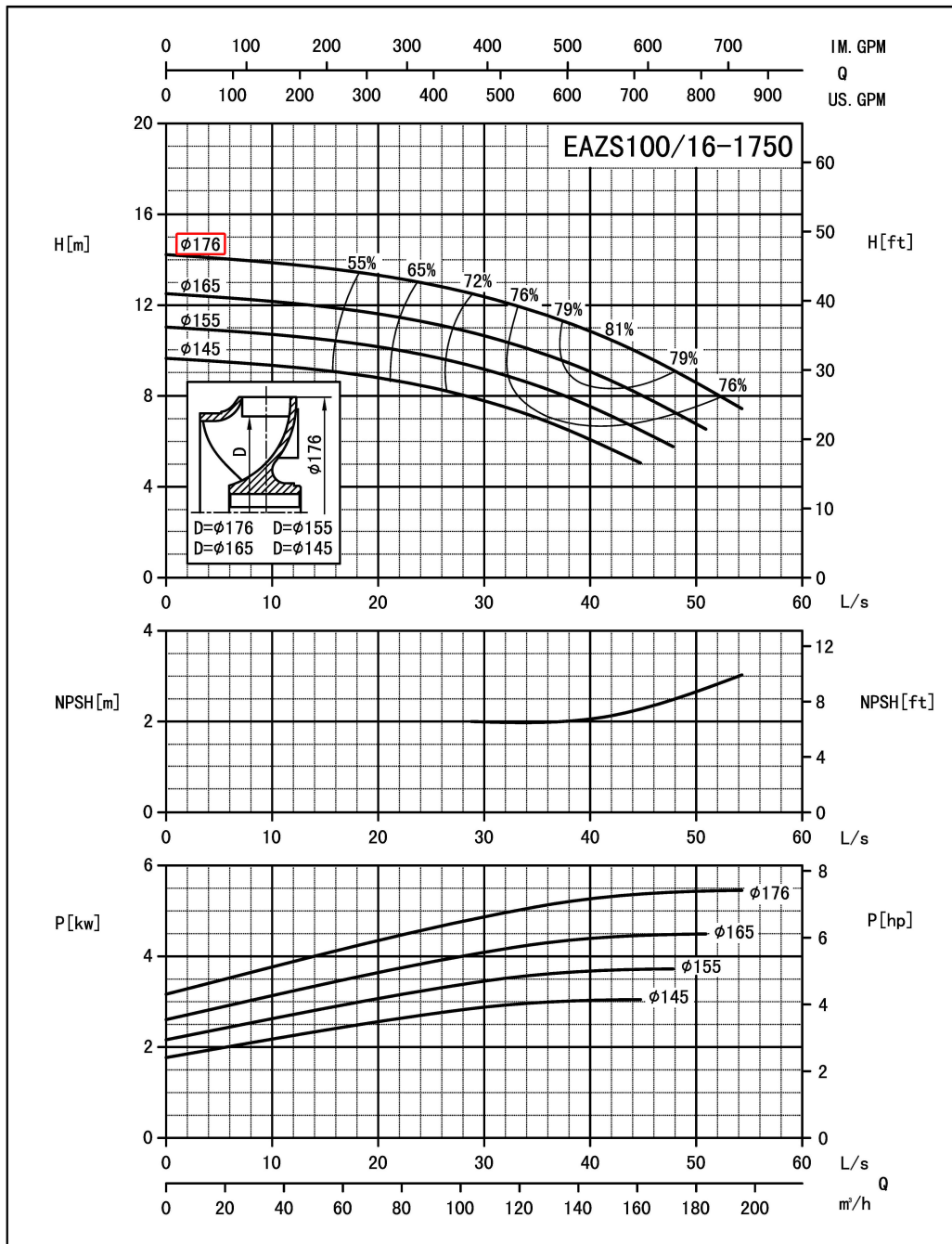
Receiver \_\_\_\_\_ From \_\_\_\_\_

Company name \_\_\_\_\_  
 Respons. Department \_\_\_\_\_  
 Person in charge \_\_\_\_\_  
 Phone number \_\_\_\_\_  
 Fax no \_\_\_\_\_  
 E-mail address \_\_\_\_\_

\_\_\_\_\_

\_\_\_\_\_

| Model            | Capacity          |       | Head<br>ft | Speed<br>r/min | Power (kw) |       | Motor (hp) | Efficiency<br>% | Impeller Diam.<br>inch | (NPSH) r<br>ft |
|------------------|-------------------|-------|------------|----------------|------------|-------|------------|-----------------|------------------------|----------------|
|                  | m <sup>3</sup> /h | gpm   |            |                | Shaft      | Motor |            |                 |                        |                |
| EAZS100/16-05504 | 85.5              | 376.6 | 37.3       | 1750           | 3.9        | 5.5   | 7.5        | 68              | 6.5                    | 6.6            |
|                  | 142.6             | 627.7 | 29.6       |                | 4.4        | 5.5   | 7.5        | 79.5            |                        | 6.9            |
|                  | 171.1             | 753.2 | 26.3       |                | 4.8        | 5.5   | 7.5        | 78.5            |                        | 8.9            |



Performance to ISO9906 Grade 2 for clean cold water only

EF•A01/1406

|               |                  |                  |                  |                   |
|---------------|------------------|------------------|------------------|-------------------|
| Project _____ | Project ID _____ | Created by _____ | Created on _____ | Last update _____ |
|---------------|------------------|------------------|------------------|-------------------|