



Technical Data

End Suction Pump - EAZS100/16-05504

Revision no. _____
Page: 1

	Receiver	From
Company name		
Respons. Department		
Person in charge		
Phone number		
Fax no		
E-mail address		

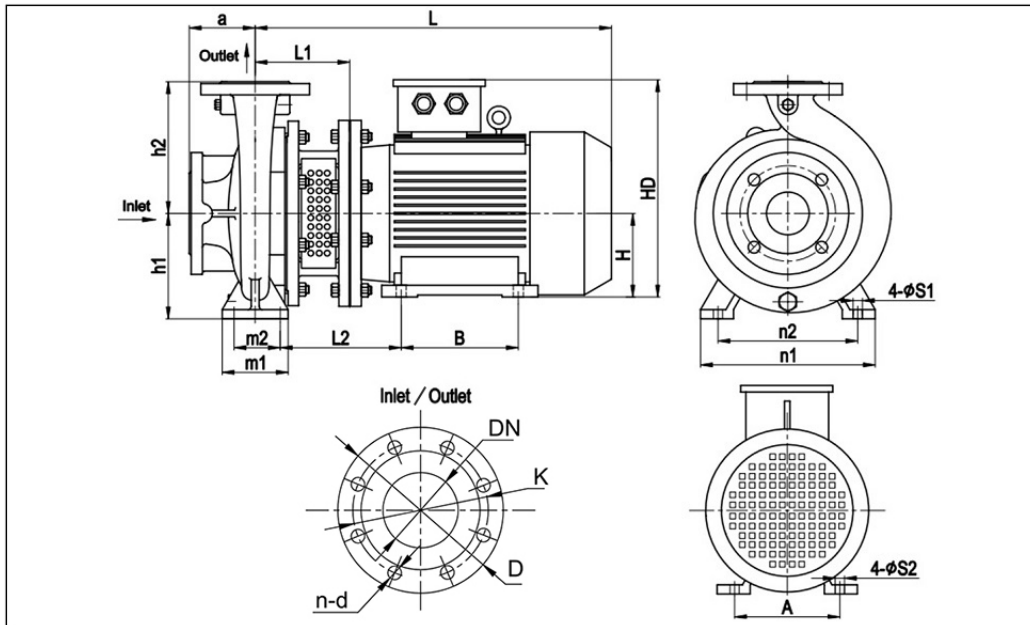


Brand: Gol Pumps
AcXY: 95 NG100/16-05504
Flange: ANSI Class 125

Motor (B35)	
Model	hp
Y2-132S-4	7.5

Weight (lb)		
Pump	Motor	Pump & Motor
159	143	302

Dimensions:



Inlet			
DN	K	D	n-d
5	8.5	10	8-0.9

Outlet			
DN	K	D	n-d
4	7.5	9.1	8-0.8

Pump Installation Size (inch)															
a	h1	h2	L1	L2	L	A	B	H	HD	m1	m2	n1	n2	S1	S2
4.9	7.9	9.8	8.4	9.6	23.8	8.5	5.5	5.2	13.6	6.3	4.7	14.2	11	0.7	0.5

Project	Project ID	Created by	Created on	Last update
---------	------------	------------	------------	-------------



Performance Curves

End Suction Pump - EAZS100/16-05504

Revision no. _____

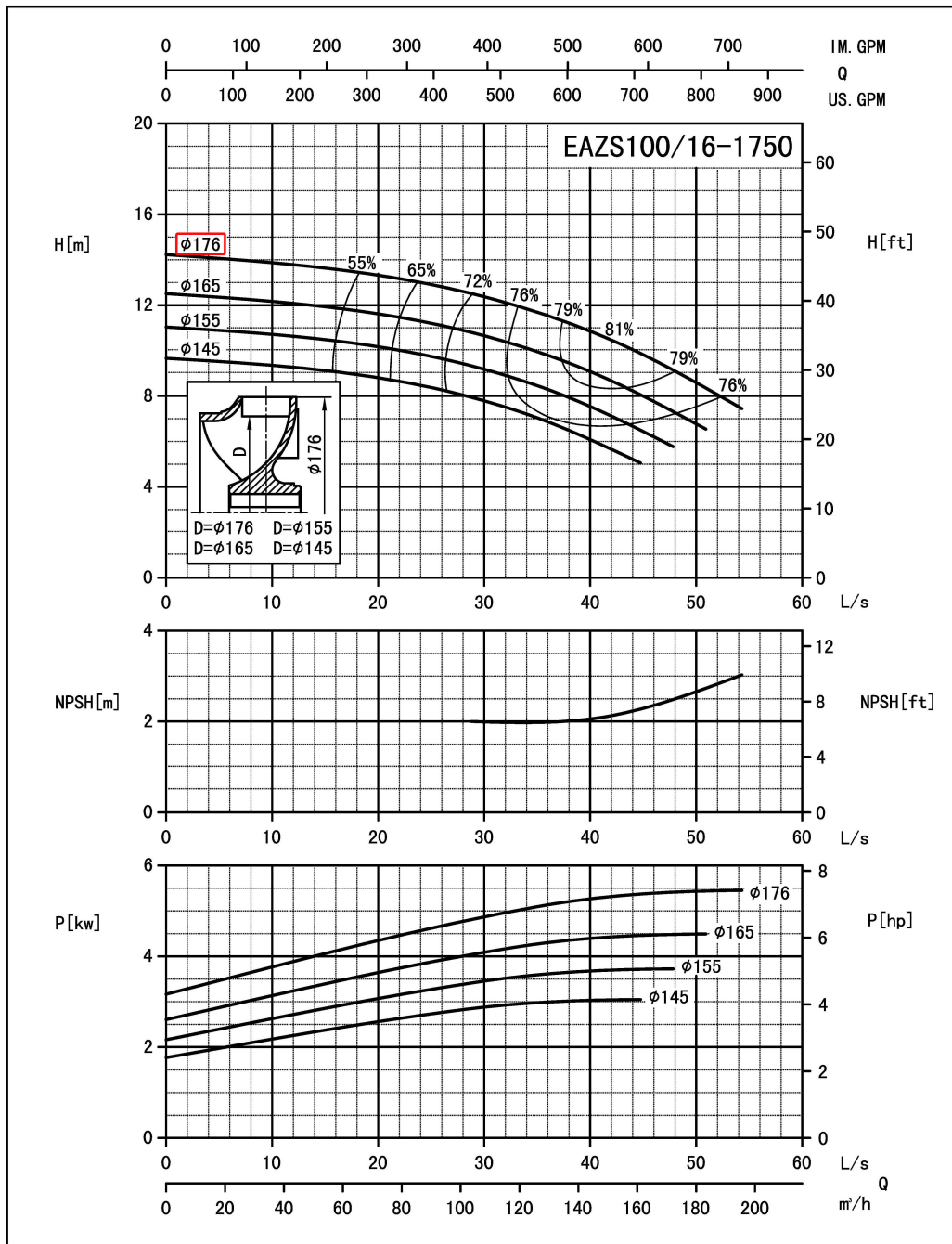
Page:
 2

Receiver _____

From _____

Company name _____
 Respons. Department _____
 Person in charge _____
 Phone number _____
 Fax no _____
 E-mail address _____

Model	Capacity		Head ft	Speed r/min	Power (kw)		Motor (hp)	Efficiency %	Impeller Diam. inch	(NPSH) r ft
	m ³ /h	gpm			Shaft	Motor				
EAZS100/16-05504	85.5	376.6	37.3	1750	3.9	5.5	7.5	68	6.5	6.6
	142.6	627.7	29.6		4.4	5.5	7.5	79.5		6.9
	171.1	753.2	26.3		4.8	5.5	7.5	78.5		8.9



Performance to ISO9906 Grade 2 for clean cold water only

EF•A01/1406

Project _____	Project ID _____	Created by _____	Created on _____	Last update _____
---------------	------------------	------------------	------------------	-------------------