



Technical Data

End Suction Pump - EAZS100/20-15004

Revision no.

 Page:
1

Receiver

From

 Company name
 Respons. Department
 Person in charge
 Phone number
 Fax no
 E-mail address

--	--

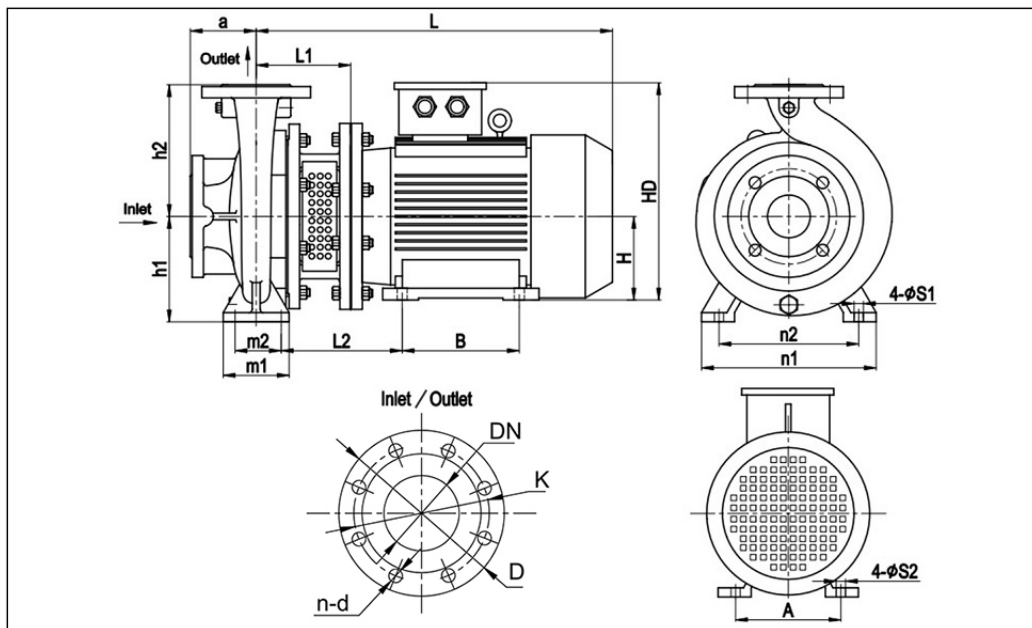


Brand: Gol Pumps
AcXY: 95 NG100/20-15004
Flange: ANSI Class 125

Motor (B35)	
Model	hp
Y2-160L-4	20

Weight (lb)		
Pump	Motor	Pump & Motor
159	284	443

Dimensions:



Inlet			
DN	K	D	n-d
5	8.5	10	8-0.9

Outlet			
DN	K	D	n-d
4	7.5	9.1	8-0.8

Pump Installation Size (inch)															
a	h1	h2	L1	L2	L	A	B	H	HD	m1	m2	n1	n2	S1	S2
4.9	7.9	11	9.2	11.1	31.3	10	10	6.3	16.5	6.3	4.7	14.2	11	0.7	0.5

Project	Project ID	Created by	Created on	Last update
---------	------------	------------	------------	-------------



Performance Curves

End Suction Pump - EAZS100/20-15004

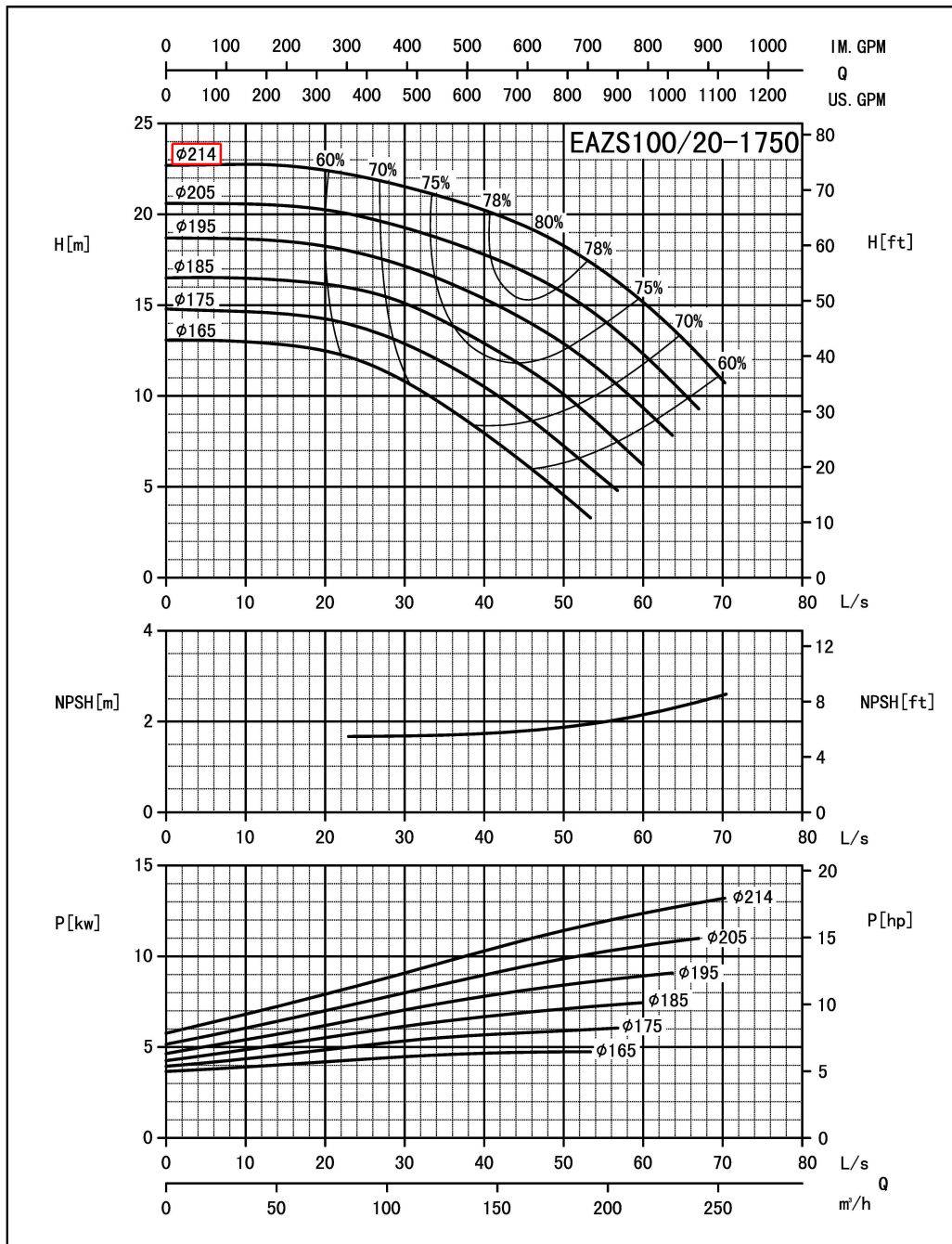
Revision no. _____

Page: 2

Receiver	From

Company name _____
 Respons. Department _____
 Person in charge _____
 Phone number _____
 Fax no _____
 E-mail address _____

Model	Capacity		Head ft	Speed r/min	Power (kw)		Motor (hp)	Efficiency %	Impeller Diam. inch	(NPSH) r ft
	m ³ /h	gpm			Shaft	Motor				
EAZS100/20-15004	102.8	452.7	71.2	1750	8.7	11	15	70	8.4	5.6
	171.4	754.5	62.1		11	15	20	80		6.2
	205.6	905.4	53		12.1	15	20	75		7.2



Performance to ISO9906 Grade 2 for clean cold water only

EF-A01/1406

Project	Project ID	Created by	Created on	Last update
---------	------------	------------	------------	-------------