



# Technical Data

## End Suction Pump - EAZS100/26-22004 (SS316)

Revision no.

 Page:  
1

Receiver

From

 Company name  
 Respons. Department  
 Person in charge  
 Phone number  
 Fax no  
 E-mail address

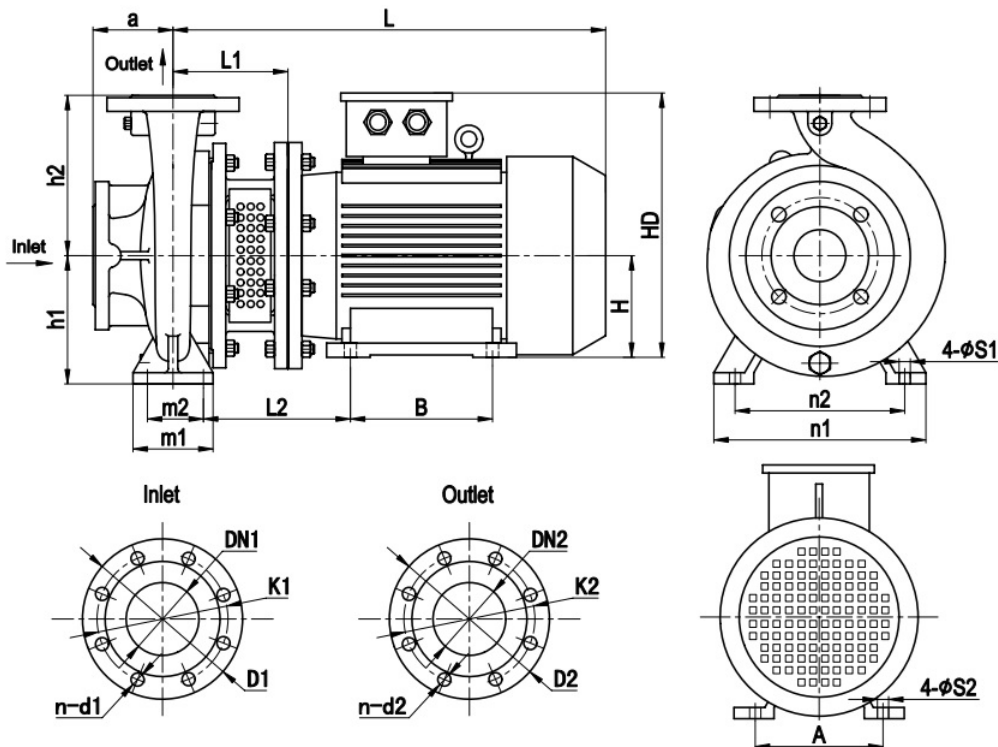

**Brand: Gol Pumps**  
**Model: EAZS100/26-22004 (SS316)**  
**Flange: ANSI Class 125**

Motor (B35)	
Model	hp
Y2-180L-4	30

Weight (lb)		
Pump	Motor	Pump & Motor
196	395	591

<b>Pump Material</b>	Stainless Steel 316/AISI 316
<b>Casing</b>	Stainless Steel 316/AISI 316
<b>Impeller</b>	Stainless Steel 316/AISI 316
<b>Shaft</b>	Stainless Steel 316/AISI 316
<b>Mechanical Seal</b>	Silicon Carbide

### Dimensions:



Inlet			
DN1	K1	D1	n-d1
5	8.5	10	8-Ø0.9

Outlet			
DN2	K2	D2	n-d2
4	7.5	9.1	8-Ø0.8

Pump Installation Size (inch)																
a	h1	h2	L1	L2	L	A	B	H	HD	m1	m2	n1	n2	S1	S2	
5.5	10	11	9.4	11.8	34.2	11	11	7.1	17.9	6.3	4.7	15.8	12.4	0.7	0.6	

Project

Project ID

Created by

Created on

Last update



# Performance Curves

## End Suction Pump - EAZS100/26-22004 (SS316)

Revision no.

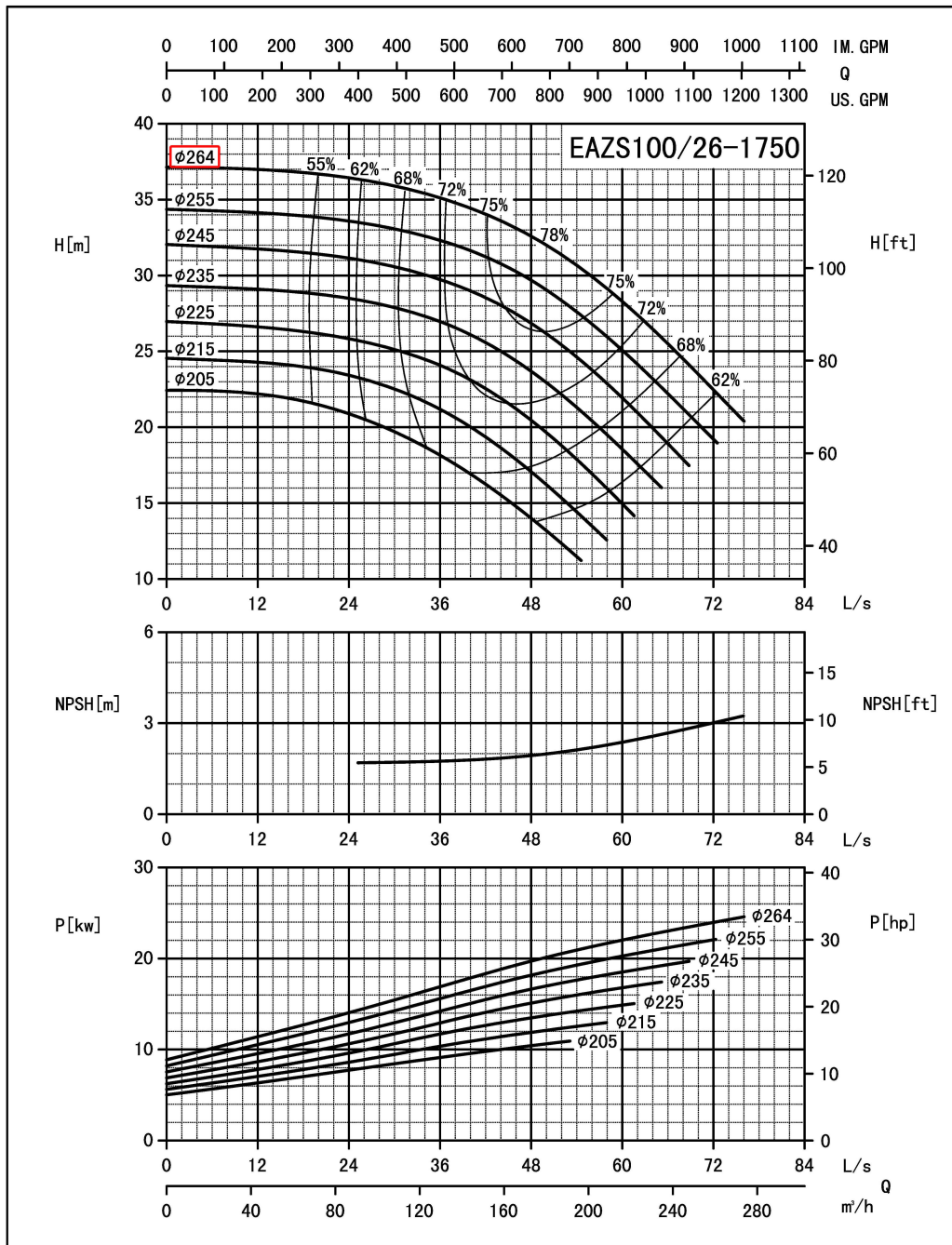
 Page:  
2

Receiver

From

 Company name  
 Respons. Department  
 Person in charge  
 Phone number  
 Fax no  
 E-mail address

Model	Capacity		Head ft	Speed r/min	Power (kw)		Motor (hp)	Efficiency %	Impeller Diam. inch	(NPSH) r ft
	m <sup>3</sup> /h	gpm			Shaft	Motor				
EAZS100/26-22004	99.5	437.9	100.8	1750	12.6	15	20	66	10.4	5.9
	165.8	729.8	90		16.5	18.5	25	75		6.6
	198.9	875.8	79.4		17.9	22	30	73		7.6



Performance to ISO9906 Grade 2 for clean cold water only

EF•A01/1406

Project

Project ID

Created by

Created on

Last update