



Technical Data

End Suction Pump - EAZS125/20-18504

Revision no.

Page:

1

Receiver

From

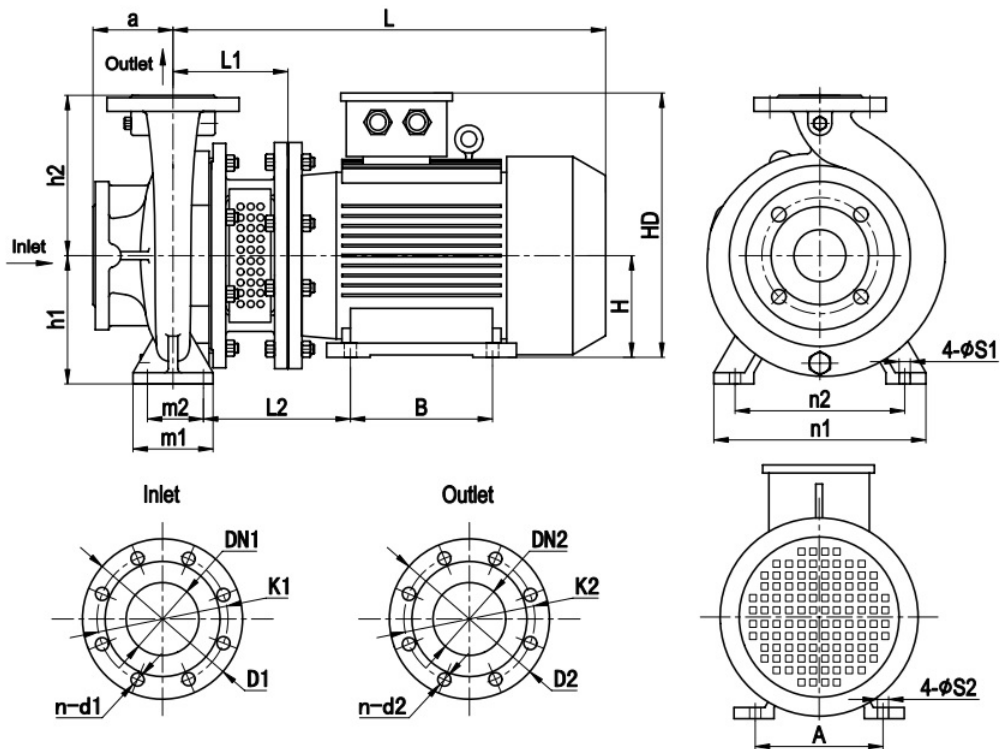
 Company name
 Respons. Department
 Person in charge
 Phone number
 Fax no
 E-mail address


Brand: Gol Pumps
Model: EAZS150/20-18504
Flange: ANSI Class 125

Motor (B35)	
Model	hp
Y2-180M-4	25

Weight (lb)		
Pump	Motor	Pump & Motor
212	346	558

Dimensions:



Inlet			
DN1	K1	D1	n-d1
6	9.5	11	8-Ø0.9

Outlet			
DN2	K2	D2	n-d2
5	8.5	10	8-Ø0.9

Pump Installation Size (inch)															
a	h1	h2	L1	L2	L	A	B	H	HD	m1	m2	n1	n2	S1	S2
5.5	9.8	12.4	9.3	11.7	32.5	11	9.5	7.1	17.9	6.3	4.7	15.8	12.4	0.7	0.6

Project

Project ID

Created by

Created on

Last update



Performance Curves

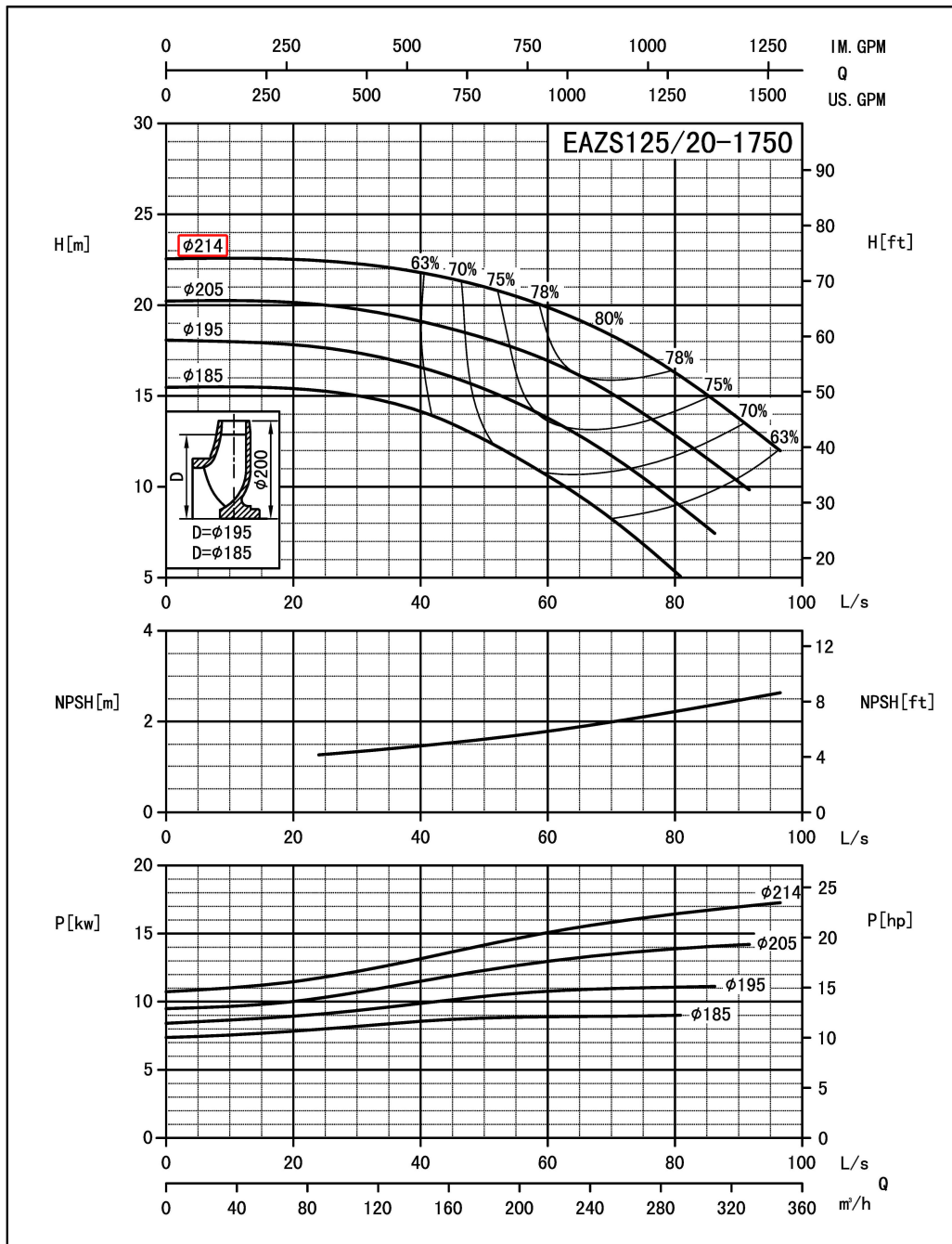
End Suction Pump - EAZS125/20-18504

Revision no. _____
Page: 2

Receiver	From

Company name
Respons. Department
Person in charge
Phone number
Fax no
E-mail address

Model	Capacity		Head ft	Speed r/min	Power (kw)		Motor (hp)	Efficiency %	Impeller Diam. inch	(NPSH) r ft
	m ³ /h	gpm			Shaft	Motor				
EAZS125/20-18504	138.2	608.3	71.7	1750	13.3	15	20	62	8.4	4.3
	230.3	1013.9	63.6		15.4	18.5	25	79		5.6
	276.3	1216.7	55.9		16.3	18.5	25	78.5		6.1



Performance to ISO9906 Grade 2 for clean cold water only

EF•A02/1406

Project	Project ID	Created by	Created on	Last update