



Technical Data

End Suction Pump - EAZS150/20-30004

Revision no.

Page:
 1

Company name
 Respons. Department
 Person in charge
 Phone number
 Fax no
 E-mail address

Receiver

From

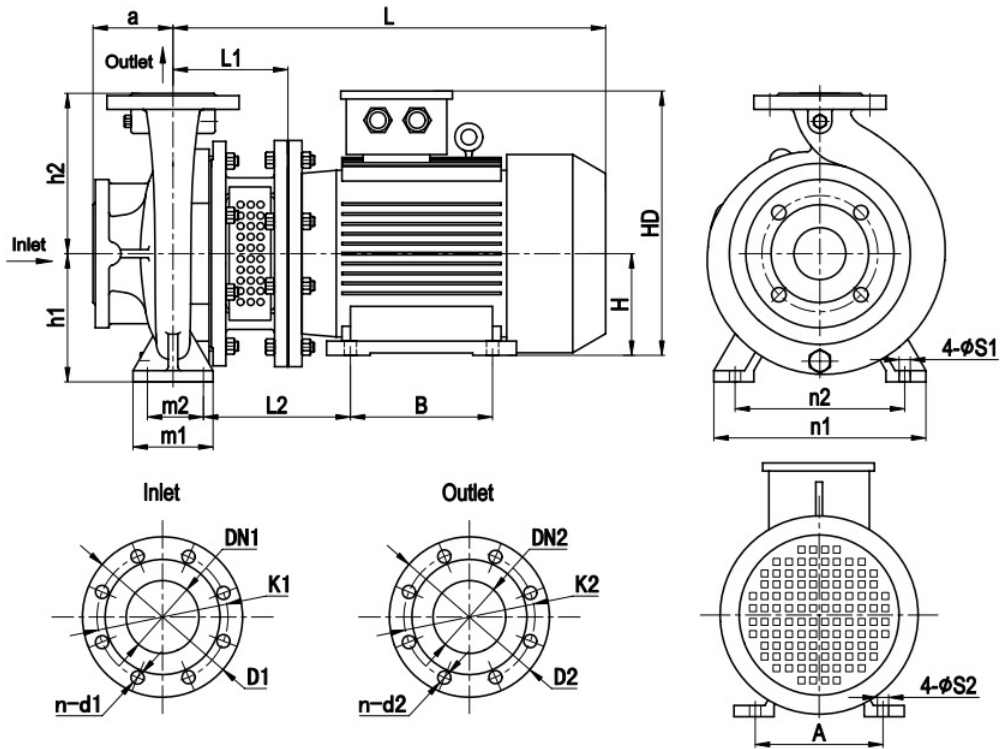


Brand: Gol Pumps
Model: EAZS150/20-30004
Flange: ANSI Class 125

Motor (B35)	
Model	hp
Y2-200L-4	40

Weight (lb)		
Pump	Motor	Pump & Motor
229	529	756

Dimensions:



Inlet			
DN1	K1	D1	n-d1
8	11.8	13.5	8-Ø0.9

Outlet			
DN2	K2	D2	n-d2
6	9.5	11	8-Ø0.9

Pump Installation Size (inch)															
a	h1	h2	L1	L2	L	A	B	H	HD	m1	m2	n1	n2	S1	S2
6.30	11.02	15.75	10.43	12.72	36.42	12.52	12.01	7.87	19.88	7.87	5.91	15.75	12.40	0.91	0.75

Project	Project ID	Created by	Created on	Last update
---------	------------	------------	------------	-------------



Performance Curves

End Suction Pump - EAZS150/20-30004

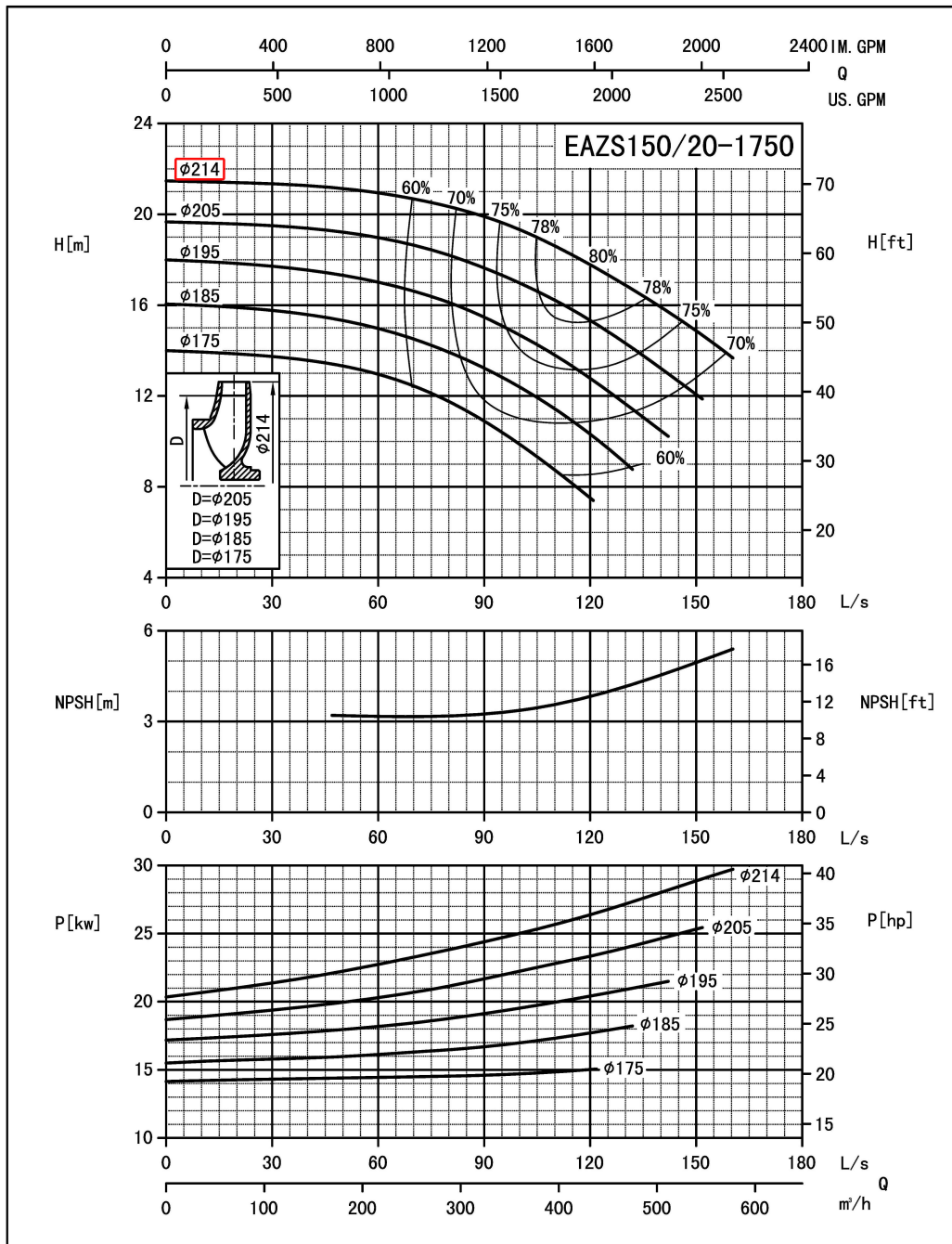
Revision no. _____

Page: 2

Receiver _____ From _____

Company name _____
 Respons. Department _____
 Person in charge _____
 Phone number _____
 Fax no _____
 E-mail address _____

Model	Capacity		Head ft	Speed r/min	Power (kw)		Motor hp	Efficiency %	Impeller Diam. inch	(NPSH) r ft
	m ³ /h	gpm			Shaft	Motor				
EAZS150/20-30004	260.7	1147.8	67.4	1750	23.5	30	40	62	8.4	9.8
	434.5	1913	58.3		26.3			80		11.5
	521.4	2295.6	50.7		29			75.5		13.1



Performance to ISO9906 Grade 2 for clean cold water only

EF•A01/1406

Project _____	Project ID _____	Created by _____	Created on _____	Last update _____
---------------	------------------	------------------	------------------	-------------------