



# HYW b]WJ 'DUH

## End Suction Pump - EAZS40/26-05504

Revision no.

Page:  
 1

F YW]j Yf

: fca

Company name  
 Respons. Department  
 Person in charge  
 Phone number  
 Fax no  
 E-mail address



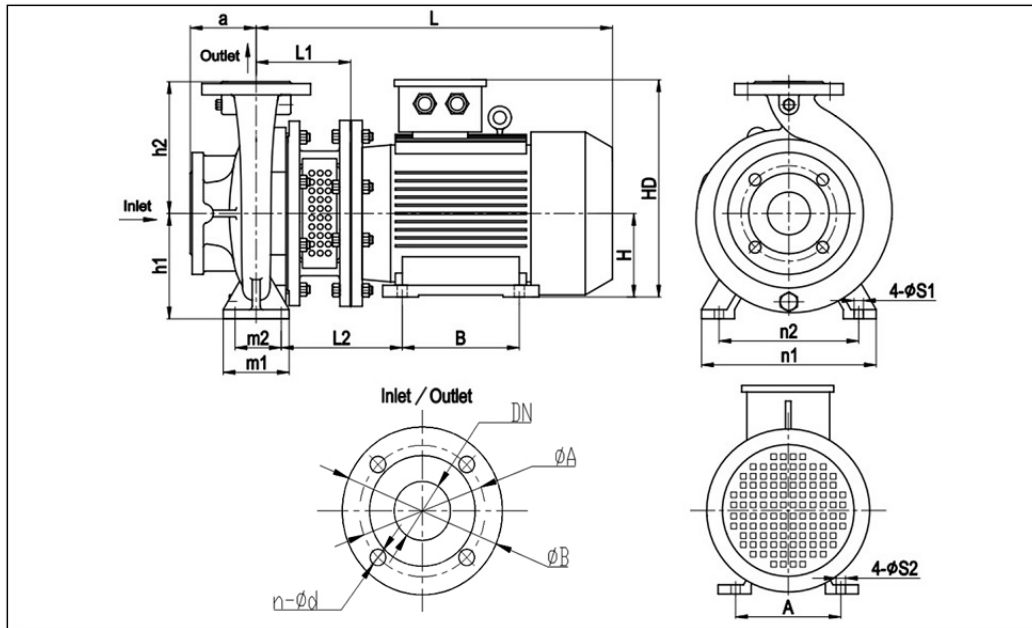


**Brand: Gol Pumps**  
**AcXY: '95 NG40/26-05504**  
**Flange: ANSI Class 125**

Motor (B35)	
Model	hp
Y2-132S-4	7.5

Weight (lb)		
Pump	Motor	Pump & Motor
132	143	275

### Dimensions:



Inlet			
DN	ØA	ØB	n-Ød
2.5	5.5	7.1	4-0.8

Outlet			
DN	ØA	ØB	n-Ød
1.5	3.9	5	4-0.6

Pump Installation Size (inch)															
a	h1	h2	L1	L2	L	A	B	H	HD	m1	m2	n1	n2	S1	S2
4	7.1	8.9	7.8	9.3	23.1	8.5	5.5	5.2	13.6	4.9	3.7	12.6	9.8	0.6	0.5

Project	Project ID	Created by	Created on	Last update
---------	------------	------------	------------	-------------



# Performance Curves

## End Suction Pump - EAZS40/26-05504

Revision no.

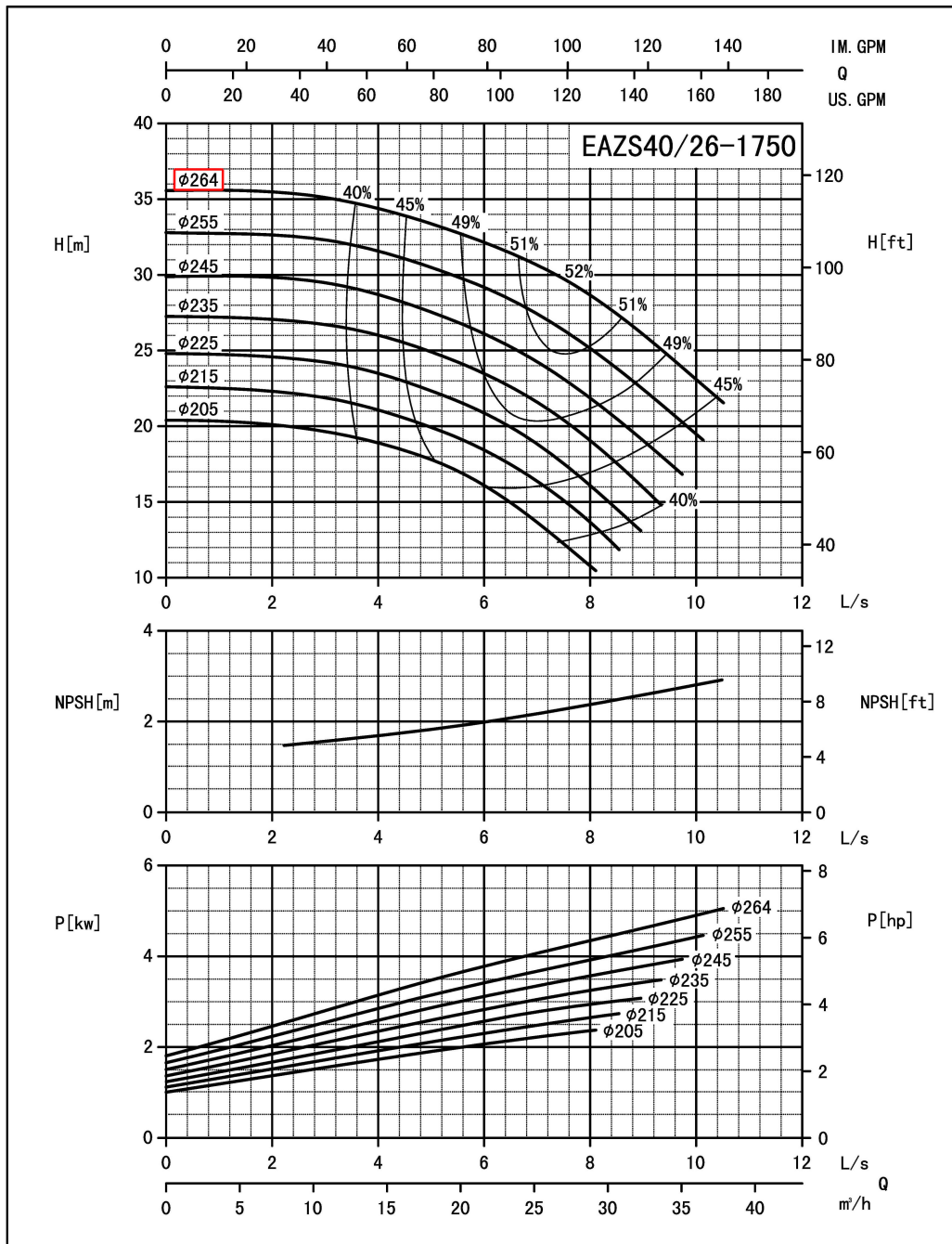
Page:  
2

Receiver

From

Company name  
Respons. Department  
Person in charge  
Phone number  
Fax no  
E-mail address





Performance to ISO9906 Grade 2 for clean cold water only

EF-A01/1406

Project	Project ID	Created by	Created on	Last update
---------	------------	------------	------------	-------------