



Technical Data

End Suction Pump - EAZS50/20-04004 (SS316)

Revision no.

 Page:
1

Receiver

From

 Company name
 Respons. Department
 Person in charge
 Phone number
 Fax no
 E-mail address

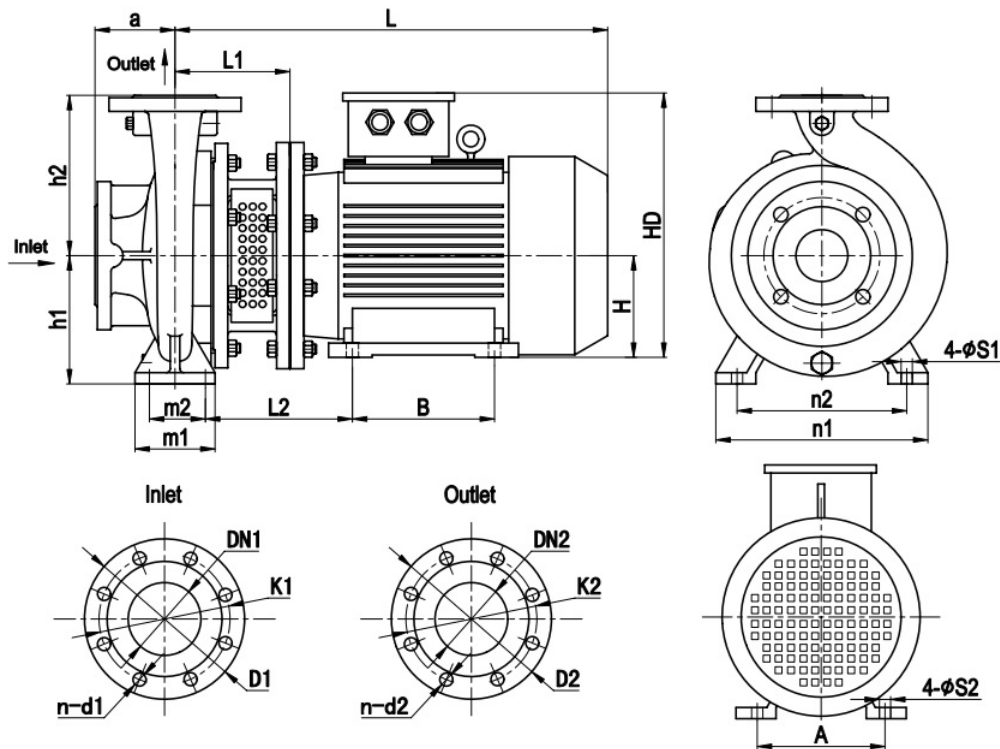

Brand: Gol Pumps
Model: EAZS50/20-04004 (SS316)

Motor (B35)	
Model	hp
Y2-112M-4	5.5

Weight (lb)		
Pump	Motor	Pump & motor
101	104	203

Pump Material	Stainless Steel 316/AISI 316
Casing	Stainless Steel 316/AISI 316
Impeller	Stainless Steel 316/AISI 316
Shaft	Stainless Steel 316/AISI 316
Mechanical Seal	Silicon Carbide

Dimensions:



ISO7005.2 DIN2501 PN16 GB/T17241.6 PN1.6									
DN1 / DN2	1.25	1.5	2	2.5	3	4	5	6	8
D1 / D2	5.51	5.91	6.50	7.28	7.87	8.66	9.84	11.22	13.39
K1 / K2	3.94	4.33	4.92	5.71	6.30	7.09	8.27	9.45	11.61
n-d1 / n-d2	4-∅18	4-∅18	4-∅18	4-∅18	8-∅18	8-∅18	8-∅18	8-∅22	12-∅22

Inlet and outlet flange	
DN1	DN2
2.5	2

Pump installation size (inch)															
a	h1	h2	L1	L2	L	A	B	H	HD	m1	m2	n1	n2	S1	S2
3.94	6.30	7.87	6.57	7.83	19.96	7.48	5.51	4.41	11.81	3.94	2.76	10.43	8.35	0.55	0.47

Project

Project ID

Created by

Created on

Last update



Performance Curves

End Suction Pump - EAZS50/20-04004 (SS316)

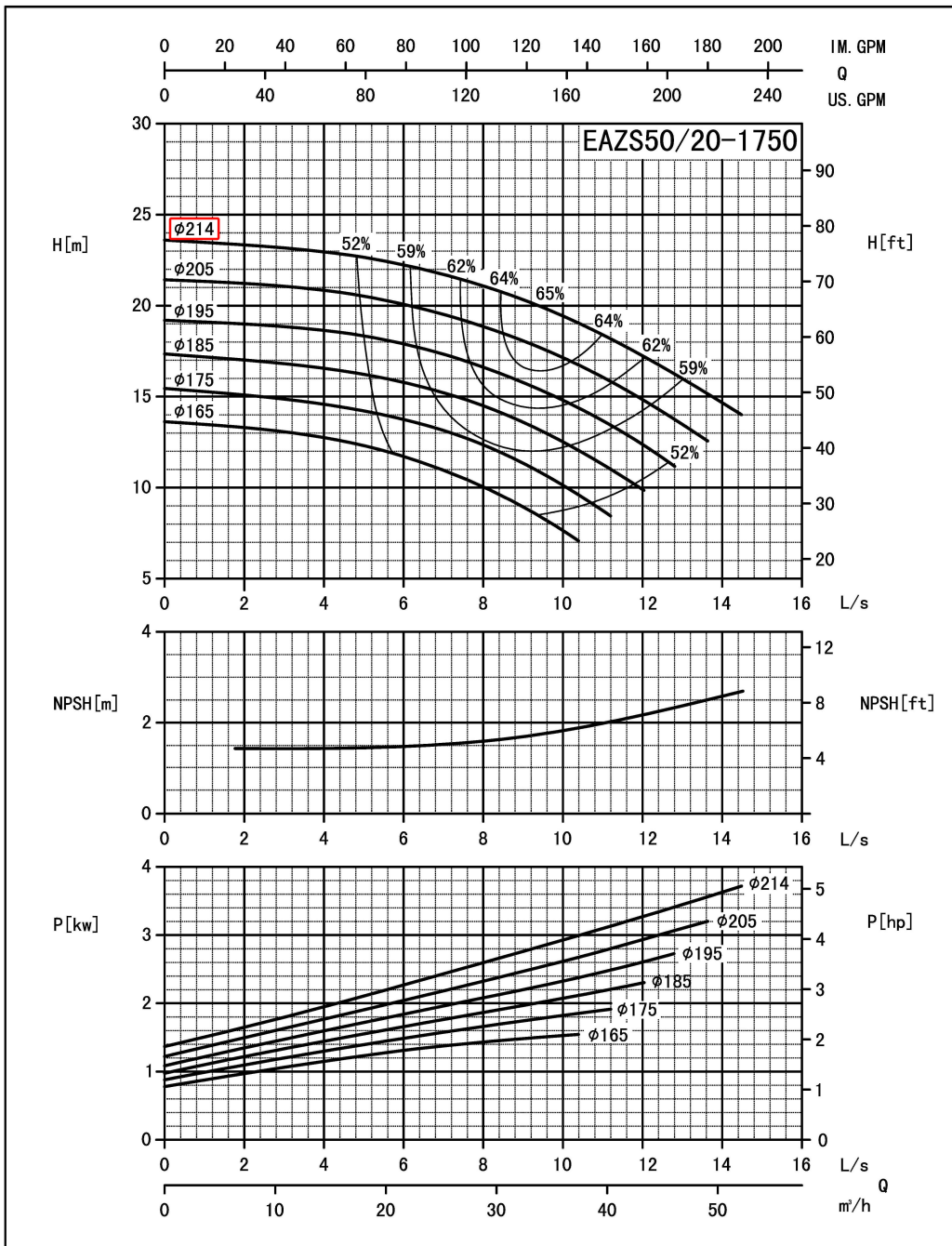
Revision no. _____

Page: 2

Receiver _____ From _____

Company name _____
 Respons. Department _____
 Person in charge _____
 Phone number _____
 Fax no _____
 E-mail address _____

Model	Capacity		Head ft	Speed r/min	Power (kw)		Motor (hp)	Efficiency %	Impeller Diam. inch	(NPSH) r ft
	m ³ /h	gpm			Shaft	Motor				
EAZS50/20-04004	18	79.2	73.1	1750	1.9	2.2	3	59	8.4	4.3
	30	132	63.6		2.4	3	4	65		4.9
	36	158.4	56.4		2.7	4	5.5	62		5.9



Performance to ISO9906 Grade 2 for clean cold water only

EF-A01/1406

Project _____	Project ID _____	Created by _____	Created on _____	Last update _____
---------------	------------------	------------------	------------------	-------------------