



G.P.T. CO
Gol Pumps Technology Company



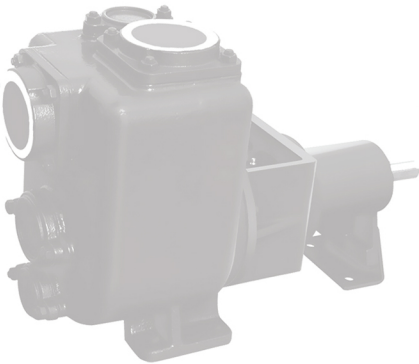
GOL PUMPS

CENTRIFUGAL PUMPS

General Catalogue

www.golpumps.com

E-mail: info@golpumps.com



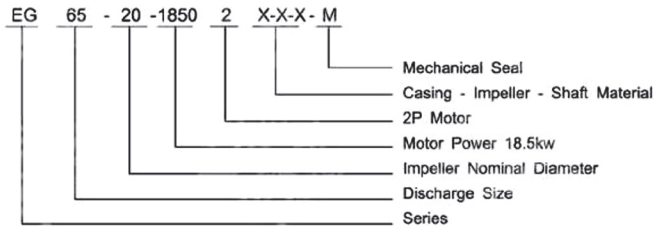
EG
series



Description & Features

EG series are vertical in-line pumps. The biggest feature is vertical structure which sharply reduces installation space. Motor shaft is plunged into pump shaft to ensure alignment of pump and motor. This series pump adopts IEC standard motor and pump head can be assembled separately

Model Instruction



Material code

C: cast iron

Q: ductile iron

B: brass

S: ASTM 420

45: ASTM 1045

304: ASTM 304s

316: ASTM 316

m: mechanical seal

Application:

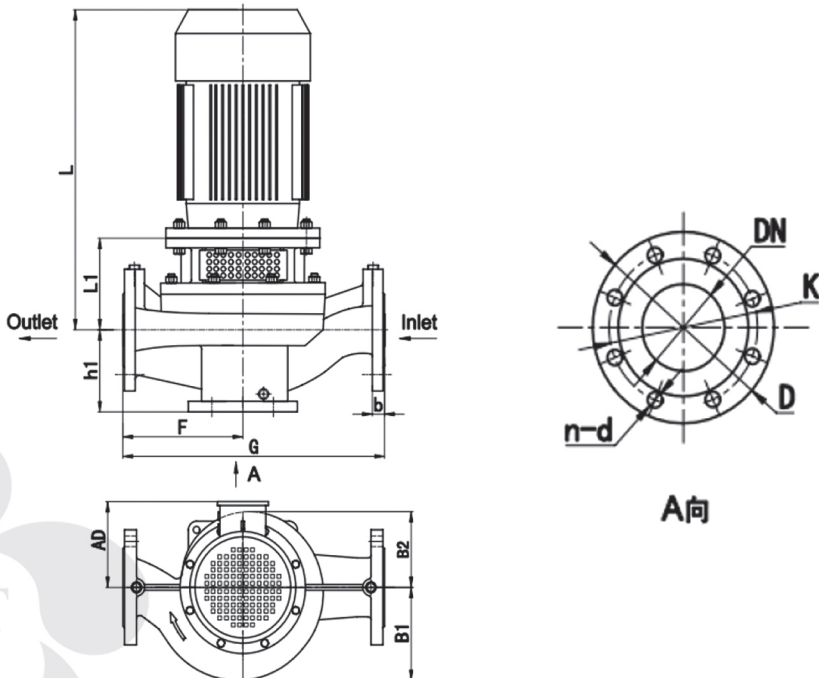
- Cold and hot water circulation pump
- Municipal water supply
- Hvac and cooling tower
- Booster pump
- Pool and fountain water transfer

Design	Performance referring to BS EN 733/DIN24255 standard	
structure	Vertical, Single-stage, single – suction, volute, casing, in-line, close-coupled	
D n(mm)	40-200	
flange	Din2501 pn16 GB-T17241.6 PN 1.6	
Motor	IEC standard motor	

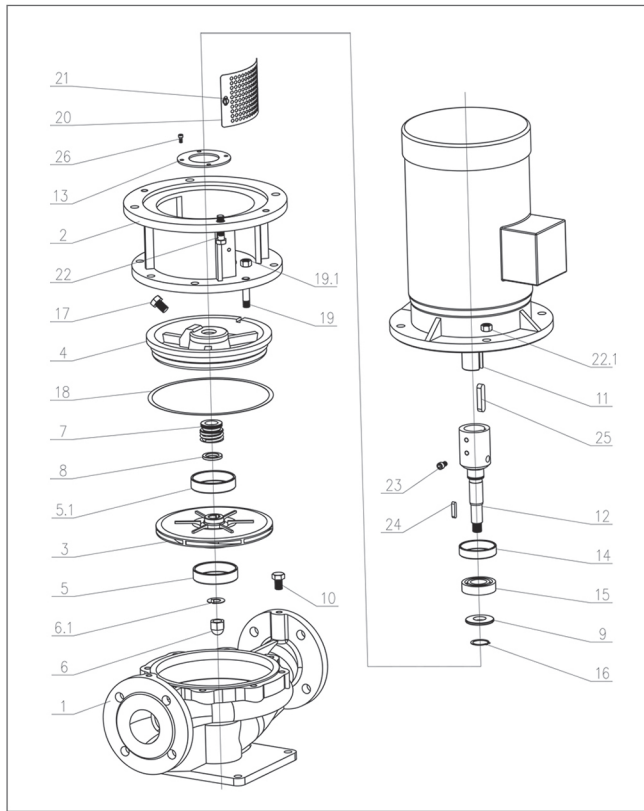
Part	Standard material	Options on request
Casing	Cast iron	Ductile iron
impeller	brass	Cast iron/ As tm 304/ Astm316
shaft	As tm 420	As tm 304/ Astm316/ As tm 1045
Shaft seal	Mechanical seal	

Flow rate (Q)	40-500 m/h	
Head (H)	8-150 m	
Speed	1450 or 2900 rpm (50Hz) 1750 or 3500 rpm(60Hz)	
Max temperature	85 °c (standard)	
Working pressure	1.0 M pa (standard): 1.6 M pa on request	
Conveying medium	Clean water or liquids similar to clean water in physical property	

EG Series Installation Dimensions (50HZ) (60HZ)



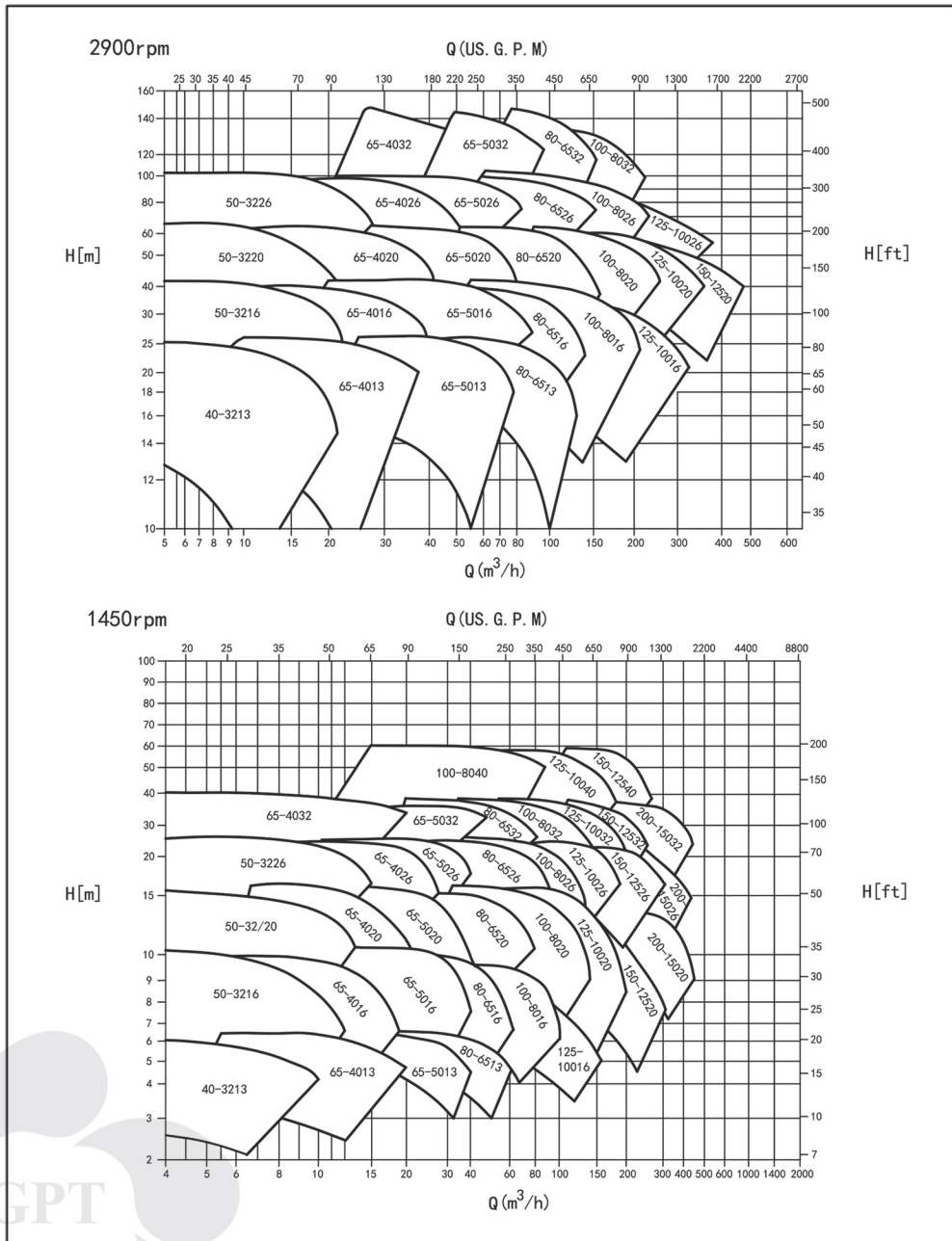
EG Series Exploded View & List of Parts



Code	Part Name
1	Casing
2	Adapter
3	Impeller
4	Casing Cover
5	Wear Ring (Front)
5.1	Wear Ring (Back)
6	Impeller Nut
6.1	Lock Washer
7	Mech. Seal
8	Seal Seat
9	Rubber Slinger
10	Plug
11	V1 Motor
12	Shaft
13	Bearing Cover

Code	Part Name
14	Rubber Check
15	Bearing
16	External circlips
17	Plug
18	Casing Gasket
19	Screw Bolt
19.1	Screw Nut
20	Guard
21	Screw
22	Screw Bolt
22.1	Screw Bolt
23	Screw
24	Key
25	Key
26	Screw

EG Series Performance 50Hz



GPT
CO

EG Series Performance 60Hz

