



# Technical Data

## Centrifugal End Suction Pump - GQI200-150-400

Revision no.

Page:  
 1

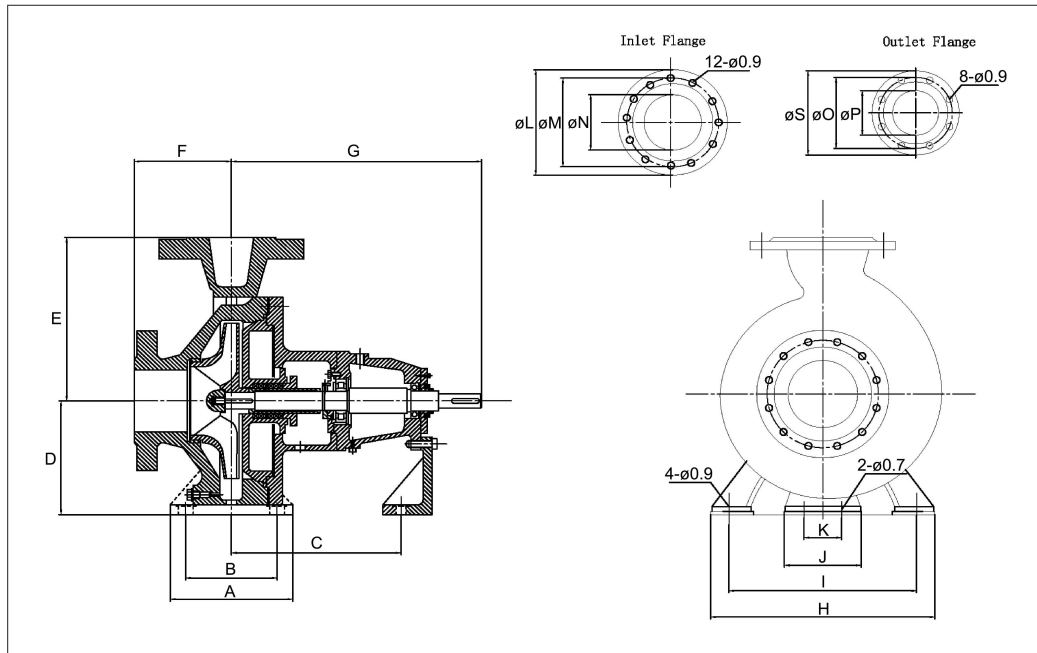
	Receiver	From
Company name		
Respons. Department		
Person in charge		
Phone number		
Fax no		
E-mail address		



**Brand: Gol Pumps**  
**Model: GQI200-150-400**

**Net Weight (lb): 310.2**

### Dimensions:



Flange (inch)	
Inlet	Outlet
8	6

Pump Installation Size (inch)																	
A	B	C	D	E	F	G	H	I	J	K	L	M	N	S	O	P	
7.9	5.9	19.7	12.4	17.7	6.3	26.4	21.7	17.7	7.9	5.5	13.4	11.6	7.9	11.2	9.4	5.9	

Project	Project ID	Created by	Created on	Last update
---------	------------	------------	------------	-------------



# Performance Curve

## Centrifugal End Suction Pump - GQI200-150-400

Revision no. \_\_\_\_\_

Page: 2

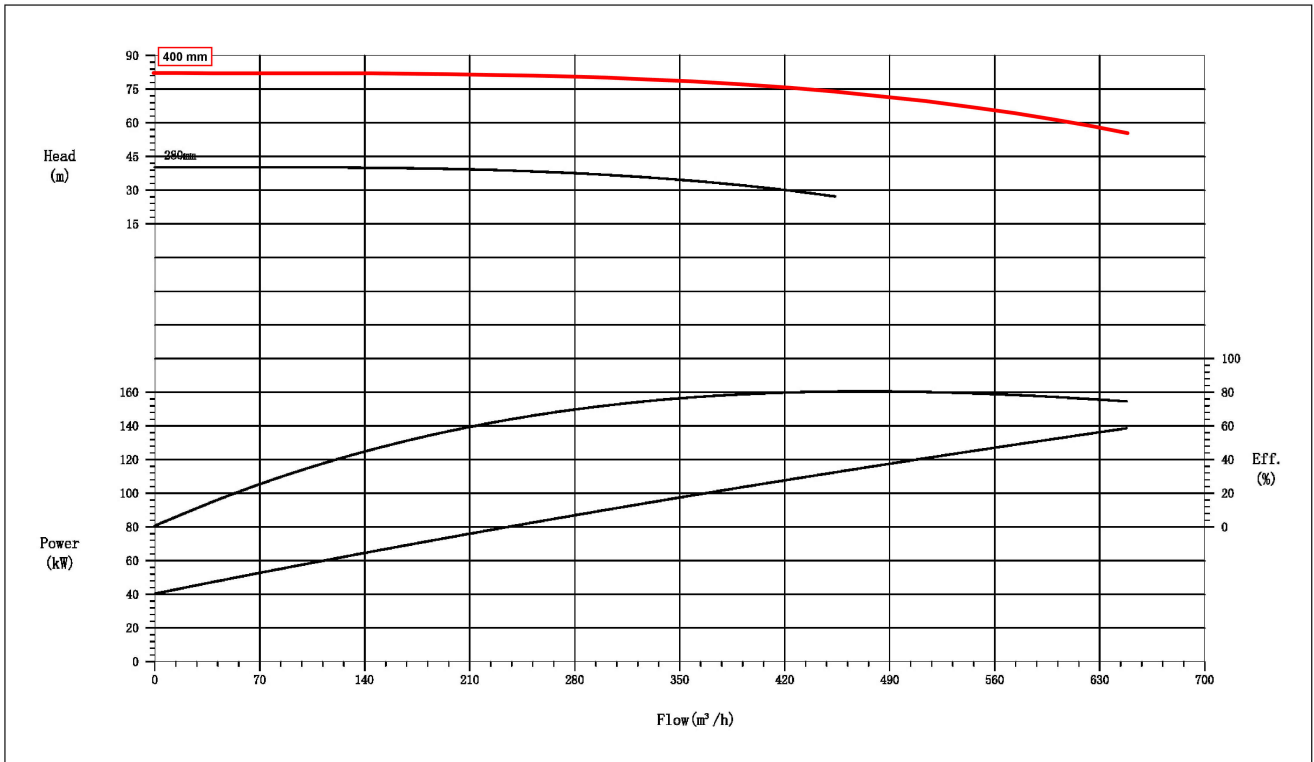
Receiver \_\_\_\_\_

From \_\_\_\_\_

Company name \_\_\_\_\_  
 Respons. Department \_\_\_\_\_  
 Person in charge \_\_\_\_\_  
 Phone number \_\_\_\_\_  
 Fax no \_\_\_\_\_  
 E-mail address \_\_\_\_\_



Model	Inlet	Outlet	Power		Capacity	Head	Revolutions	NPSH	Efficiency of duty point
	in	in	hp	kw	gpm	ft	rpm	ft	%
<b>GQI200-150-400</b>	8	6	155	116	2113.4	236	1740	14.8	81



Project _____	Project ID _____	Created by _____	Created on _____	Last update _____
---------------	------------------	------------------	------------------	-------------------



# Parts and Materials

## Centrifugal End Suction Pump - GQI200-150-400

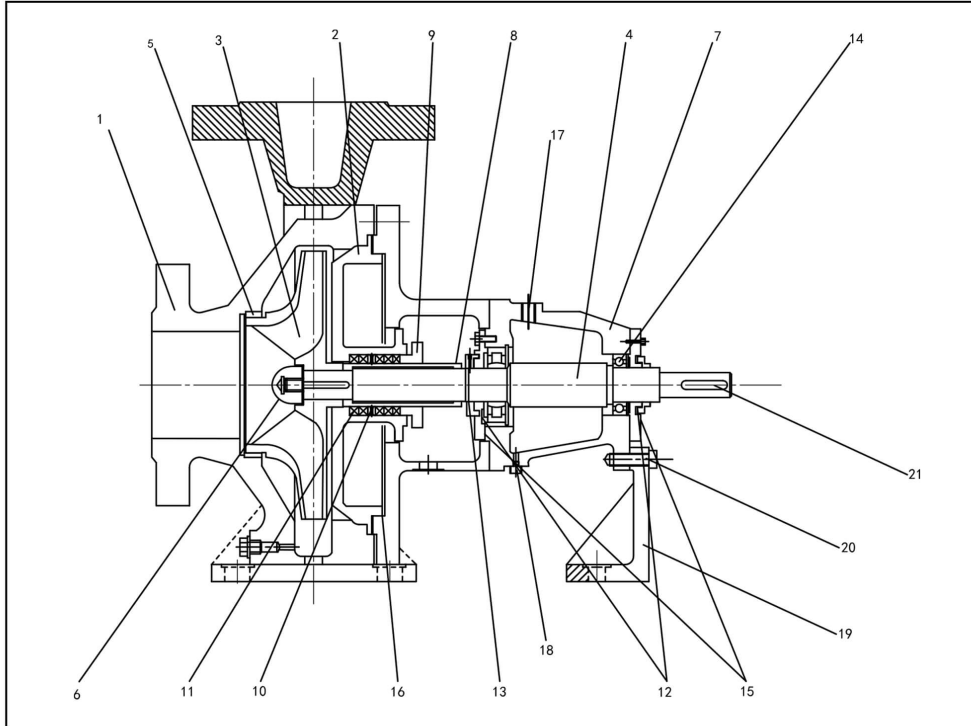
Revision no.

Page:

3

Receiver

From

 Company name  
 Respons. Department  
 Person in charge  
 Phone number  
 Fax no  
 E-mail address


Item	Parts Name	Qty	Material
1	Casing	1	SS316
2	Cover Plate	1	SS316
3	Impeller	1	SS316
4	Shaft	1	ZG500
5	Wearing Ring	1	
6	Impeller Nut	1	EN X20Cr13 (AISI 420)
7	Bearing Housing	1	ZWZ
8	Shaft Sleeve	1	3Cr13
9	Gland	1	
10	Lantern Ring	1	
11	Packing	1 set	
12	Oil Seal Ring	1 set	
13	O Ring Seal	1 set	
14	Bearing	1 set	ZWZ
15	End Cover	1 set	
16	Seal Ring	1 set	
17	Oil Plug	1	
18	Oil Discharge Plug	1	
19	Support (if any)	1	
20	Support Bolts (if any)	1	
21	Key	1	

Project

Project ID

Created by

Created on

Last update