



Technical Data

Centrifugal End Suction Pump - GQI250-200-315

Revision no.

Page:
 1

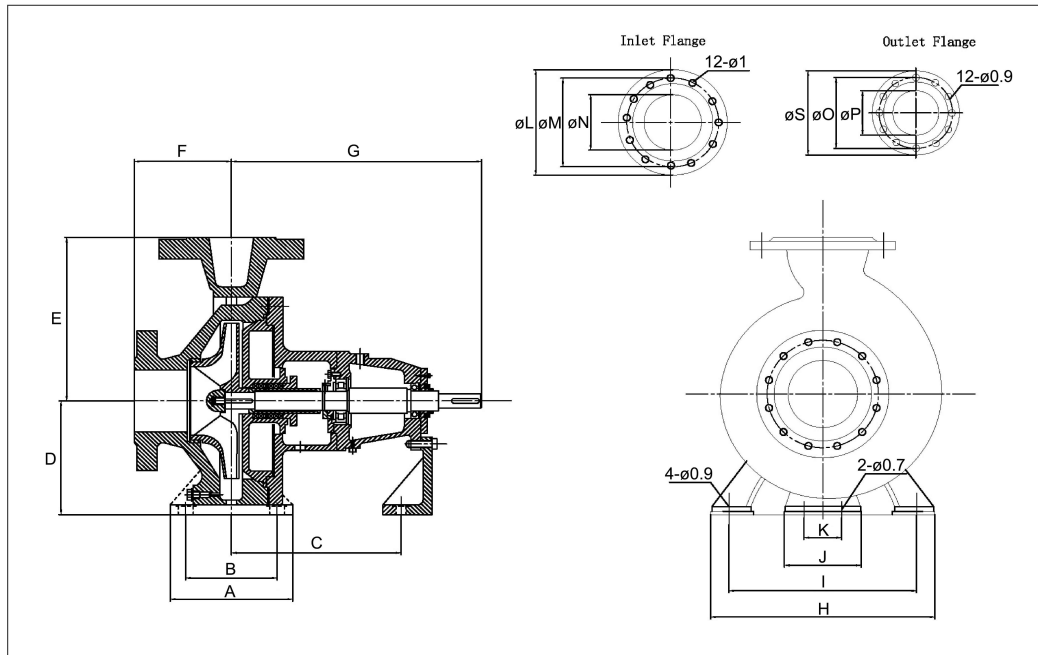
	Receiver	From
Company name		
Respons. Department		
Person in charge		
Phone number		
Fax no		
E-mail address		



Brand: Gol Pumps
Model: GQI250-200-315

Net Weight (lb): 466.4

Dimensions:



Flange (inch)	
Inlet	Outlet
10	8

Pump Installation Size (inch)																	
A	B	C	D	E	F	G	H	I	J	K	L	M	N	S	O	P	
7.9	5.9	19.7	12.4	17.9	6.7	26.4	21.7	17.7	7.9	5.5	15.9	14	9.8	13.4	11.6	7.9	

Project	Project ID	Created by	Created on	Last update
---------	------------	------------	------------	-------------



Performance Curve

Centrifugal End Suction Pump - GQI250-200-315

Revision no.

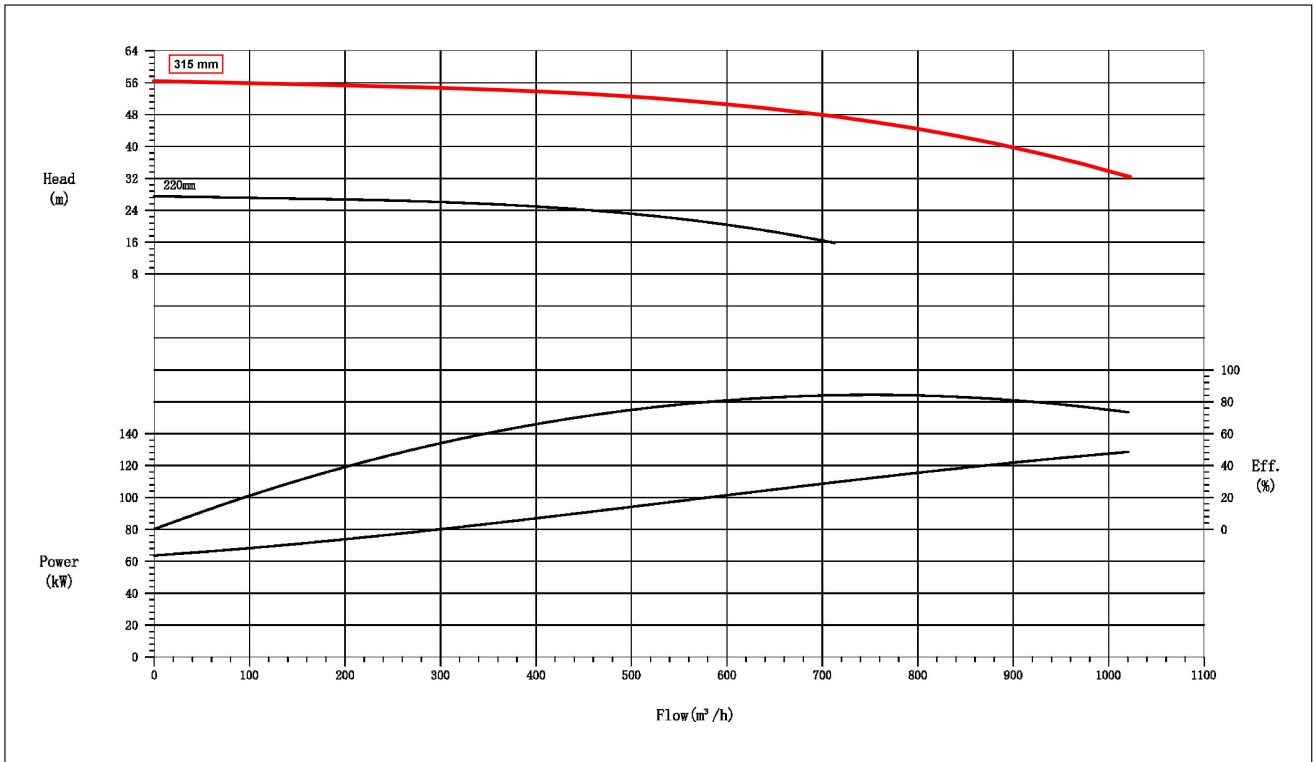
Page: 2

Receiver

From

Company name
 Respons. Department
 Person in charge
 Phone number
 Fax no
 E-mail address

Model	Inlet	Outlet	Power		Capacity	Head	Revolutions	NPSH	Efficiency of duty point
	in	in	hp	kw	gpm	ft	rpm	ft	%
GQI250-200-315	10	8	150	112	3328.6	151	1740	14.8	84



Project	Project ID	Created by	Created on	Last update
---------	------------	------------	------------	-------------



Parts and Materials

Centrifugal End Suction Pump - GQI250-200-315

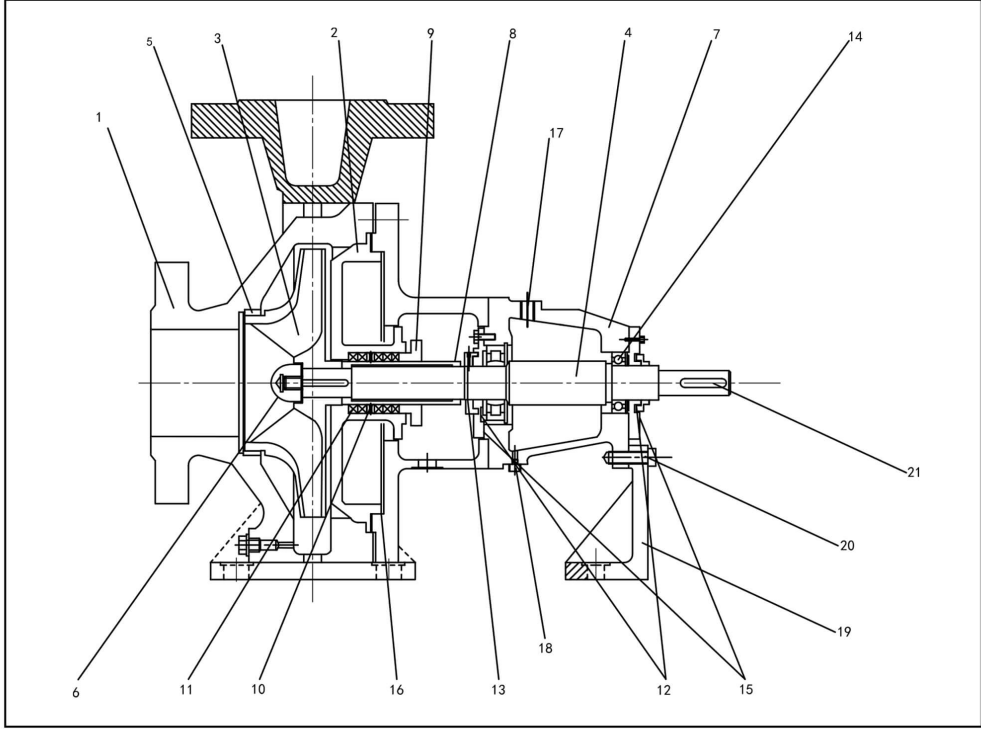
Revision no.

Page:
 3

Receiver

From

Company name
 Respons. Department
 Person in charge
 Phone number
 Fax no
 E-mail address



Item	Parts Name	Qty	Material
1	Casing	1	SS316
2	Cover Plate	1	SS316
3	Impeller	1	SS316
4	Shaft	1	ZG500
5	Wearing Ring	1	
6	Impeller Nut	1	EN X20Cr13 (AISI 420)
7	Bearing Housing	1	ZWZ
8	Shaft Sleeve	1	3Cr13
9	Gland	1	
10	Lantern Ring	1	
11	Packing	1 set	
12	Oil Seal Ring	1 set	
13	O Ring Seal	1 set	
14	Bearing	1 set	ZWZ
15	End Cover	1 set	
16	Seal Ring	1 set	
17	Oil Plug	1	
18	Oil Discharge Plug	1	
19	Support (if any)	1	
20	Support Bolts (if any)	1	
21	Key	1	

Project	Project ID	Created by	Created on	Last update
---------	------------	------------	------------	-------------