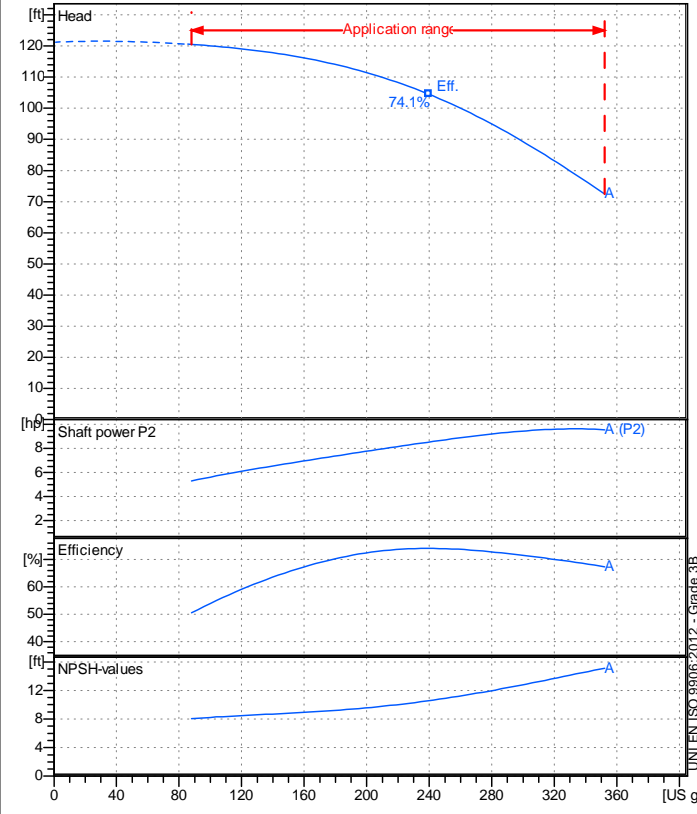


Company name
 Respons. Department
 Person in charge
 Phone number
 Fax no
 E-mail address

Receiver	From



Operating data specification

Nominal flow	US g.p.m. 0
Nominal head	ft 0
Static head	ft 0
NPSH - v value of plant	ft 0
Inlet pressure	psi 1.42
Fluid	Water, pure
Operating temperature t A	°F 68
Density at t A	lb/ft³ 62.32
Kin. viscosity at t A	ft²/s 1.082E-5

Pump		NCB 50-125 A	
Pump name	NCB 50-125 A		
Size	65/50/125		
Design			
Speed rpm	3600	No of stages	1
Impeller type			
Flow	Nominal	US g.p.m.	
	Max-	US g.p.m.	352
	Min-	US g.p.m.	88.1
Head	Nominal	ft	
	Max-	ft	120
	Min-	ft	72.5
Head H(Q=0)	ft 121		
NPSH 3%	ft		
Max. working pressure	psi 52.5		
Shaft power	hp		
Efficiency	%		
Max absorbed power	hp 9.6352		

Materials Pump

Shaft	Stainless steel AISI 431 (1.4057)		
Impeller	Cast iron EN-GJL-250		
Pump body	Cast iron EN-GJL-250		
Seal disc	Cast iron EN-GJL-250		
Gasket	Natural fiber		
Mech. seal EN 12756			
Seal face	Carbon graphite resin impreg.		
Seat	Alumina Oxide		
Rubber elements	EPDM Rubber		
Spring and metal bellows	Stainless steel AISI 316		
Motor	Frame size		
Manufacturer / Type			
Rated power	hp	Efficiency	4/4
Electric current	A	Speed	rpm
Electric voltage	V		Hz
Starting mode			
Degree of protection	Insulation class		

Dimensions in inch

a	3 ¹⁵ / ₁₆	n2	7 ¹ / ₂
A	3/8"	s	9 ¹ / ₁₆
B	3/8"	t	1 ¹ / ₁₆
b	1 ¹⁵ / ₁₆	u	5 ¹ / ₁₆
C	1/4"	w	10 ¹ / ₄
d k6	1 ¹⁵ / ₁₆	x	3 ¹⁵ / ₁₆
D	3/8"		
DNA	DN 65		
DNM	DN 50		
f	14 ³ / ₁₆		
h1	5 ³ / ₁₆		
h2	6 ⁵ / ₁₆		
l	1 ¹⁵ / ₁₆		
m1	3 ¹⁵ / ₁₆		
m2	2 ³ / ₄		
n1	9 ⁷ / ₁₆		

C	4	C	4 ¹³ / ₁₆
D	6 ¹ / ₂	D	7 ⁵ / ₁₆
DN	1 ¹⁵ / ₁₆	DN	2 ³ / ₁₆
K	4 ¹⁵ / ₁₆	K	5 ¹ / ₁₆
n°	3 ¹ / ₁₆	n°	3 ¹ / ₁₆
ø n	3 ¹ / ₄	ø n	3 ¹ / ₄

Remarks:			
Project	Project ID	Created by	Created on
			2022-08-31
			Last update

Receiver

From

 Company name
 Respons. Department
 Person in charge
 Phone number
 Fax no
 E-mail address

Operating area

Flow

Head

Impeller type

Operating data specification

0 US g.p.m.

0 ft

Impeller construction

Closed

Pump data

US g.p.m.

ft

Sense of rotation

Clockwise from the drive end

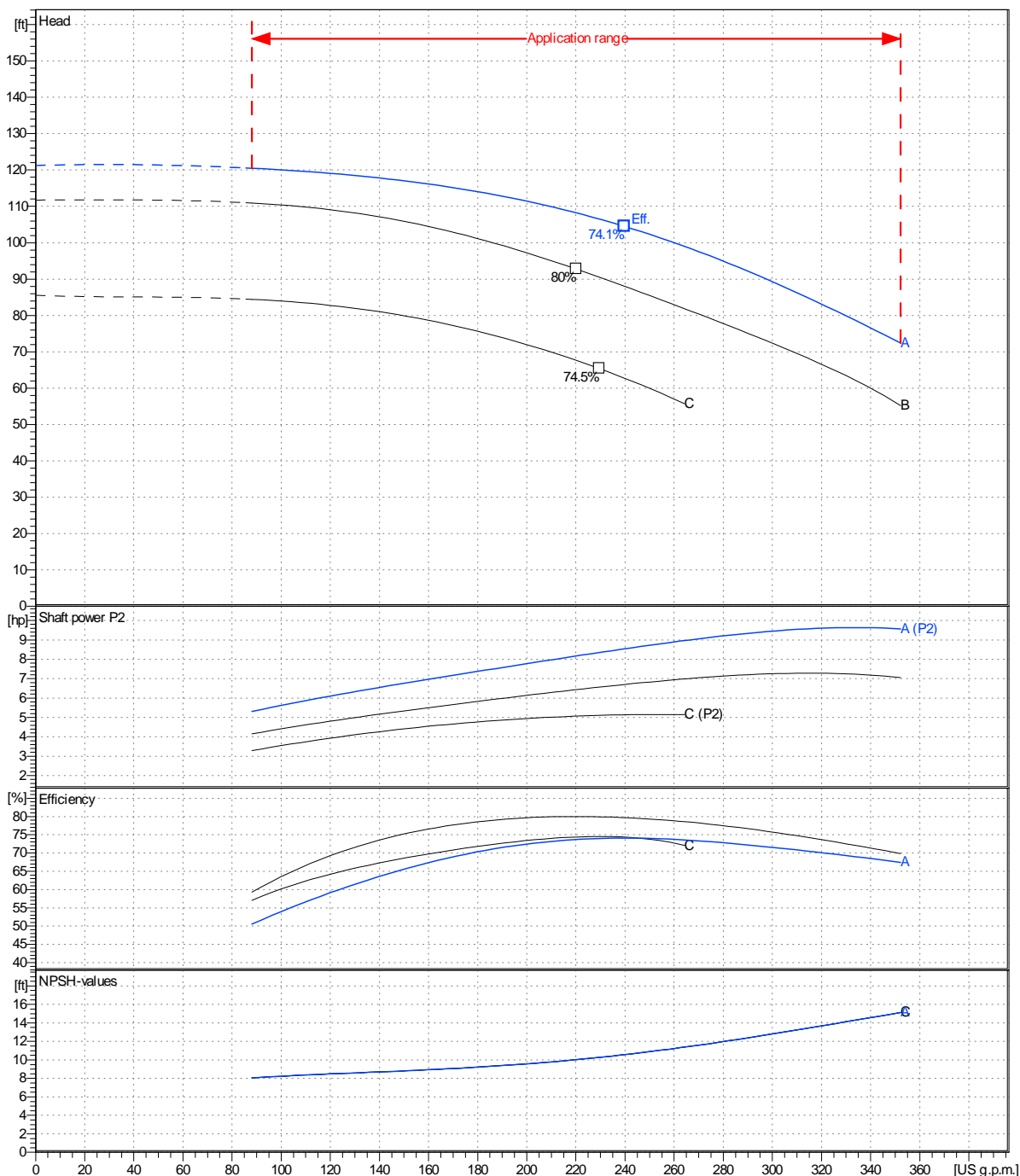
Outlet width

DN 50

	Flow			Head		Shaft power P2			Speed	rpm	3600
	Min.	Max.	η Max.	H(Q=0)	η Max.	P2(Q=0)	Max.	η Max.	Frequency	Hz	
	US g.p.m.	US g.p.m.	US g.p.m.	ft	ft	hp	hp	hp			
	88.1	352	240	121	105		9.64	8.54			

Performance data based to: Water, pure [100%]; 68°F; 62.3lb/ft³; 1.08E-5ft²/s

UNI EN ISO 9906:2012 - Grade 3B



Project

Project ID

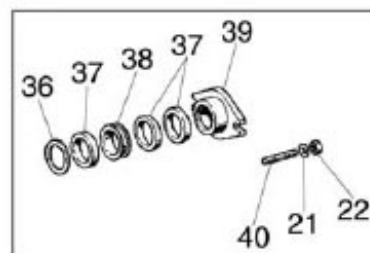
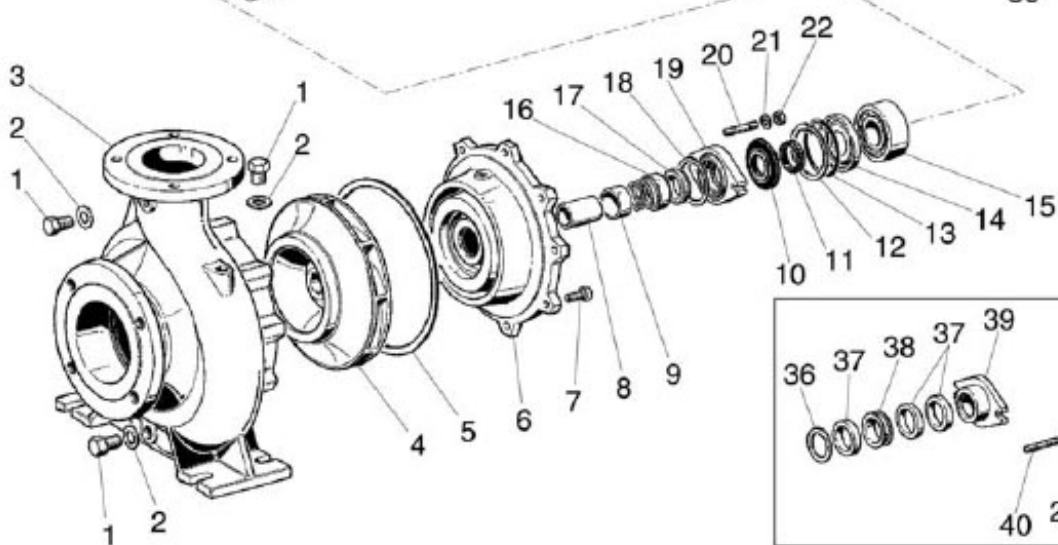
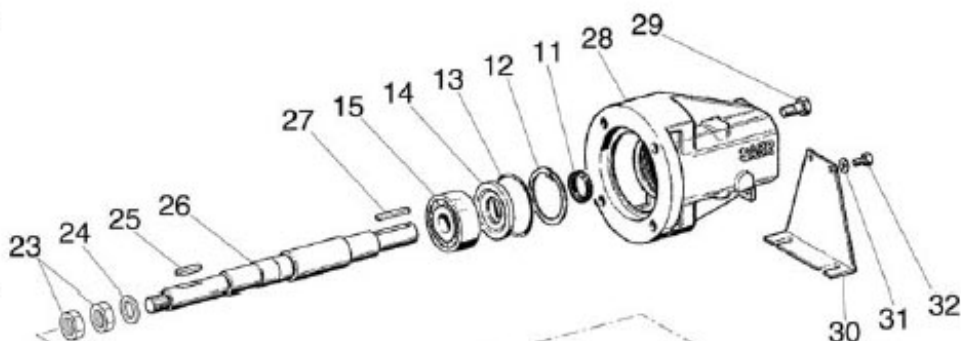
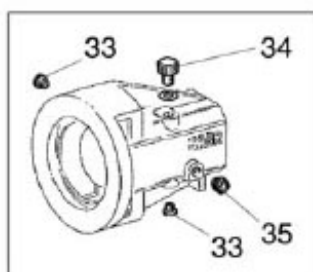
Created by

Created on

Last update

2022-08-31

Company name
Respons. Department
Person in charge
Phone number
Fax no
E-mail address



Project

Project ID

Created by

Created on
2022-08-31

Last update