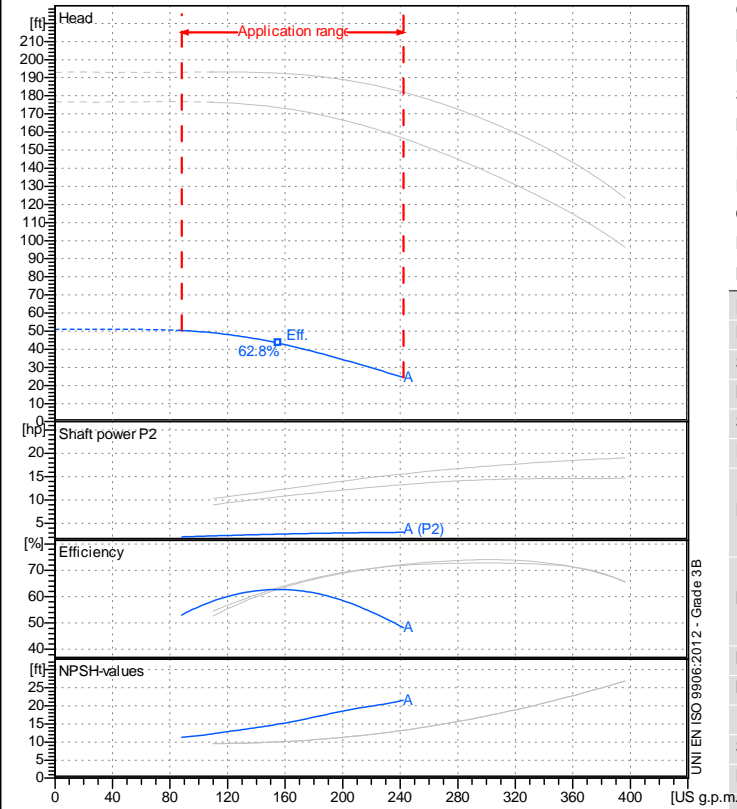


Receiver

From

 Company name
 Respons. Department
 Person in charge
 Phone number
 Fax no
 E-mail address

Operating data specification

Nominal flow	US g.p.m. 0
Nominal head	ft 0
Static head	ft 0
NPSH - v value of plant	ft 0
Inlet pressure	psi 1.42
Fluid	Water, pure
Operating temperature t A	°F 68
Density at t A	lb/ft³ 62.32
Kin. viscosity at t A	ft²/s 1.082E-5

Pump

Pump name	NCB 50-160 A		
Size	65/50/160		
Design			
Speed rpm	1800	No of stages	1
Impeller type			
Flow	Nominal	US g.p.m.	
	Max-	US g.p.m. 242	
	Min-	US g.p.m. 88.1	
Head	Nominal	ft	
	Max-	ft 50.3	
	Min-	ft 24.4	
Head H(Q=0)	ft 50.9		
NPSH 3%	ft		
Max. working pressure	psi 22		
Shaft power	hp		
Efficiency	%		
Max absorbed power	hp 3.0956		

Materials Pump

Shaft	Stainless steel AISI 431 (1.4057)
Impeller	Cast iron EN-GJL-250
Pump body	Cast iron EN-GJL-250
Seal disc	Cast iron EN-GJL-250
Gasket	Natural fiber

Mech. seal EN 12756

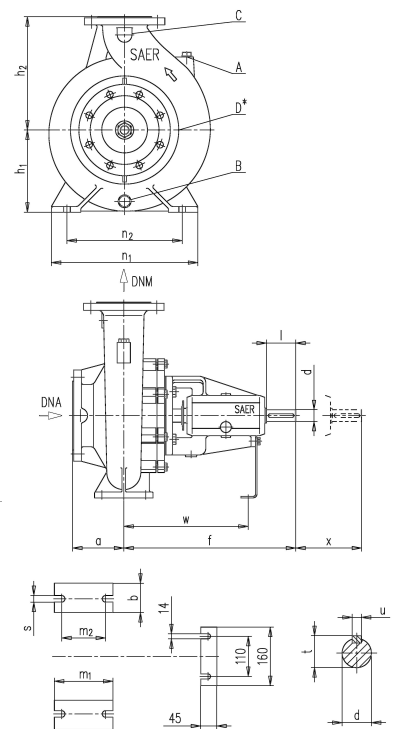
Seal face	Carbon graphite resin impreg.
Seat	Alumina Oxide
Rubber elements	EPDM Rubber
Spring and metal bellows	Stainless steel AISI 316

Motor	Frame size	
Manufacturer / Type		
Rated power	hp	Efficiency 4/4
Electric current	A	Speed rpm
Electric voltage	V	Hz
Starting mode		
Degree of protection		Insulation class

Remarks:

Dimensions in inch

a	3 ¹⁵ / ₁₆	n2	8 ³ / ₈
A	3/8"	s	9/16
B	3/8"	t	1 ¹ / ₁₆
b	1 ⁵ / ₁₆	u	5/16
C	1/4"	w	10 ¹ / ₄
d k6	1 ⁵ / ₁₆	x	3 ¹⁵ / ₁₆
D	3/8"		
DNA	DN 65		
DNM	DN 50		
f	14 ³ / ₁₆		
h1	6 ⁵ / ₁₆		
h2	7 ¹ / ₁₆		
l	1 ⁵ / ₁₆		
m1	3 ³ / ₁₆		
m2	2 ³ / ₄		
n1	10 ⁷ / ₁₆		



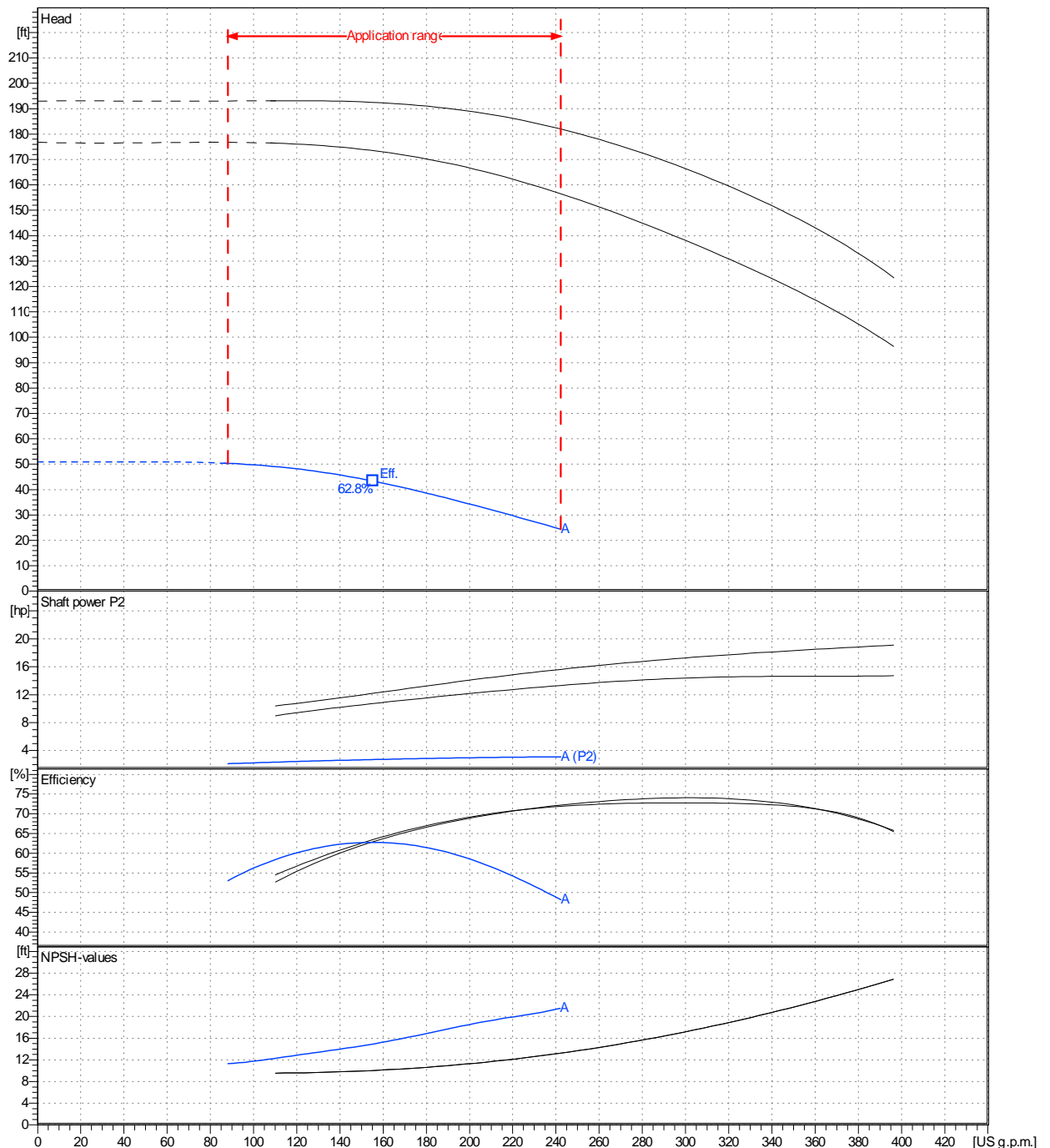
C	4	C	4 ¹³ / ₁₆
D	6 ¹ / ₂	D	7 ⁵ / ₁₆
DN	1 ⁵ / ₁₆	DN	2 ³ / ₁₆
K	4 ¹⁵ / ₁₆	K	5 ¹ / ₁₆
n°	3/16	n°	3/16
ø n	3/4	ø n	3/4

Receiver	From
Company name	
Respons. Department	
Person in charge	
Phone number	
Fax no	
E-mail address	

Operating area	Flow	Head	Impeller type
Operating data specification	0 US g.p.m.	0 ft	Impeller construction
Pump data	US g.p.m.	ft	Sense of rotation
			Clockwise from the drive end
			Outlet width
			DN 50
	Flow	Head	Shaft power P2
	Min. Max. η Max.	H(Q=0) η Max.	P2(Q=0) Max. η Max.
	US g.p.m. US g.p.m. US g.p.m.	ft ft	hp hp hp
	88.1 242 155	50.9 43.4	3.1 2.71
			Speed rpm 1800
			Frequency Hz

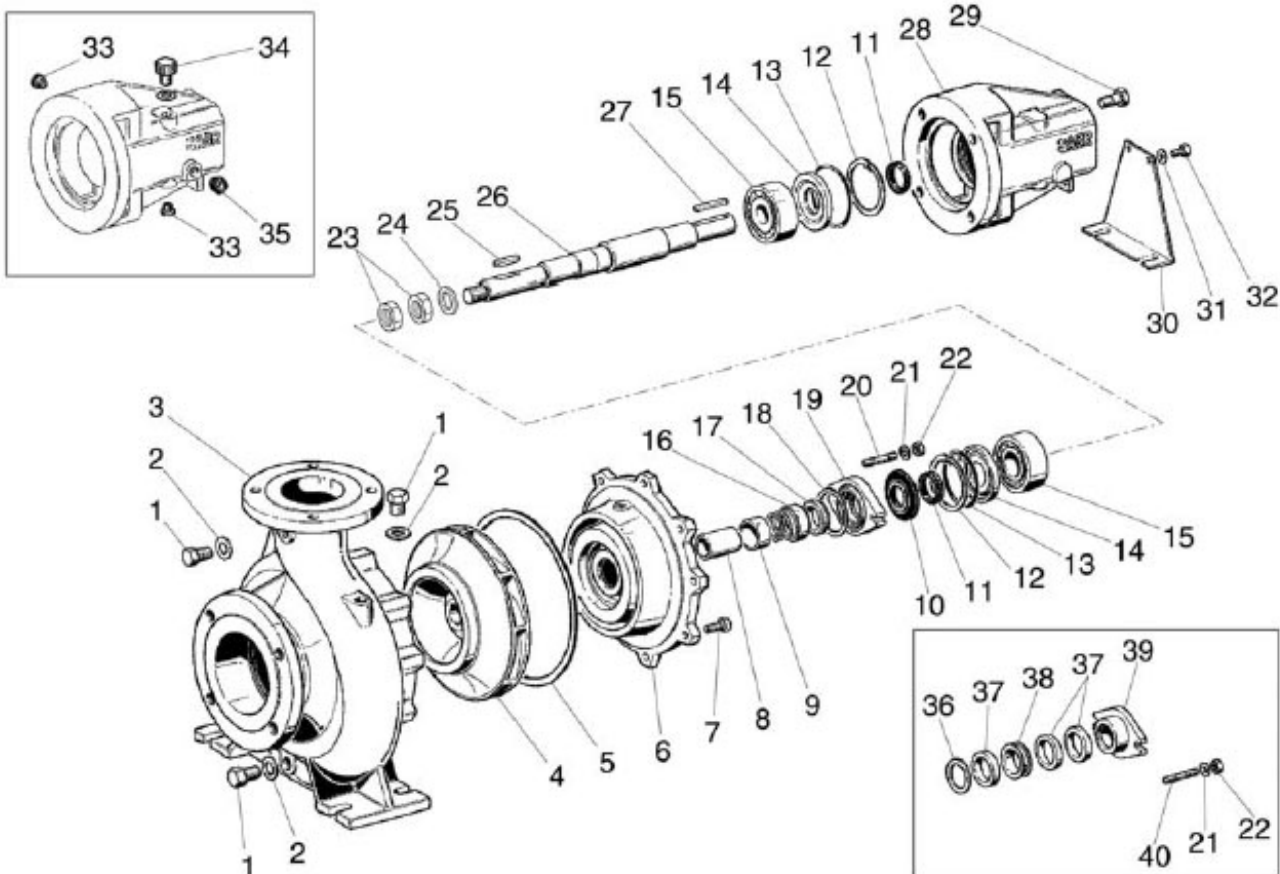
Performance data based to: Water, pure [100%]; 68°F; 62.3lb/ft³; 1.08E-5ft²/s

UNI EN ISO 9906:2012 - Grade 3B



Project	Project ID	Created by	Created on	Last update
			2025-01-22	

Company name
Respons. Department
Person in charge
Phone number
Fax no
E-mail address



Project

Project ID

Created by

Created on
2025-01-22

Last update