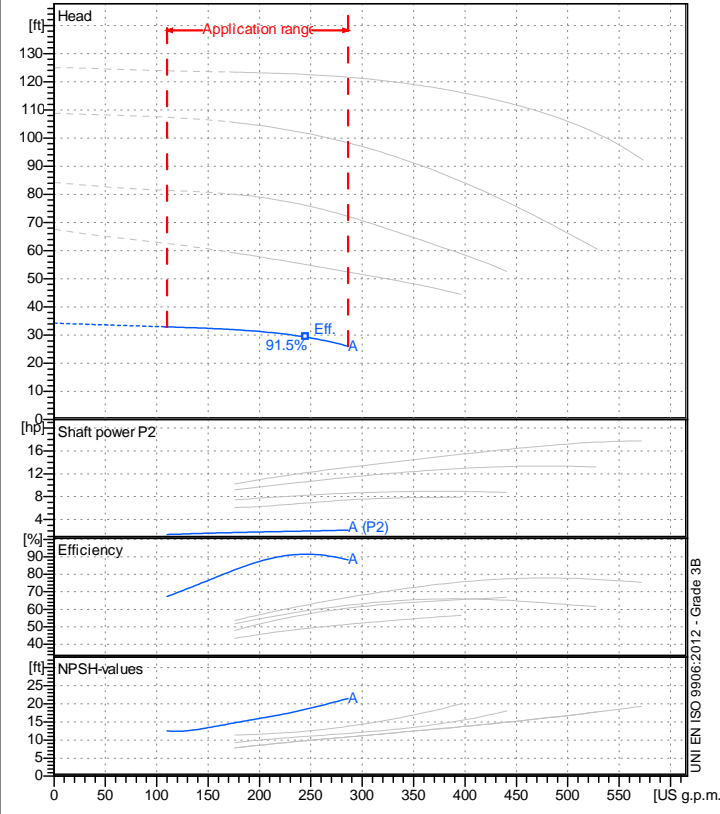


Company name
 Respons. Department
 Person in charge
 Phone number
 Fax no
 E-mail address

Receiver	From



Operating data specification

Nominal flow	US g.p.m. 0
Nominal head	ft 0
Static head	ft 0
NPSH - v value of plant	ft 0
Inlet pressure	psi 1.42
Fluid	Water, pure
Operating temperature t A	°F 68
Density at t A	lb/ft³ 62.32
Kin. viscosity at t A	ft²/s 1.082E-5

Pump		
Pump name	NCB 65-125 A	
Size	80/65/125	
Design		
Speed rpm	1800	
No of stages	1	
Impeller type		
Flow	Nominal	US g.p.m.
	Max-	US g.p.m. 286
	Min-	US g.p.m. 110
Head	Nominal	ft
	Max-	ft 33
	Min-	ft 26.1
Head H(Q=0)	ft 34.3	
NPSH 3%	ft	
Max. working pressure	psi 14.8	
Shaft power	hp	
Efficiency	%	
Max absorbed power	hp 2.139	

Materials Pump

Shaft	Stainless steel AISI 431 (1.4057)		
Impeller	Cast iron EN-GJL-250		
Pump body	Cast iron EN-GJL-250		
Seal disc	Cast iron EN-GJL-250		
Gasket	Natural fiber		
Mech. seal EN 12756			
Seal face	Carbon graphite resin impreg.		
Seat	Alumina Oxide		
Rubber elements	EPDM Rubber		
Spring and metal bellows	Stainless steel AISI 316		
Motor	Frame size		
Manufacturer / Type			
Rated power	hp	Efficiency	4/4
Electric current	A	Speed	rpm
Electric voltage	V		Hz
Starting mode			
Degree of protection	Insulation class		

Dimensions in inch

a	3 ¹⁵ / ₁₆	n2	8 ³ / ₈
A	3/8"	s	9/16
B	3/8"	t	1 ¹ / ₁₆
b	2 ⁹ / ₁₆	u	5/16
C	1/4"	w	10 ¹ / ₄
d k6	1 ⁵ / ₁₆	x	3 ¹⁵ / ₁₆
D	3/8"		
DNA	DN 80		
DNM	DN 65		
f	14 ³ / ₁₆		
h1	6 ⁵ / ₁₆		
h2	7 ¹ / ₁₆		
l	1 ¹⁵ / ₁₆		
m1	4 ¹⁵ / ₁₆		
m2	3 ³ / ₄		
n1	11		

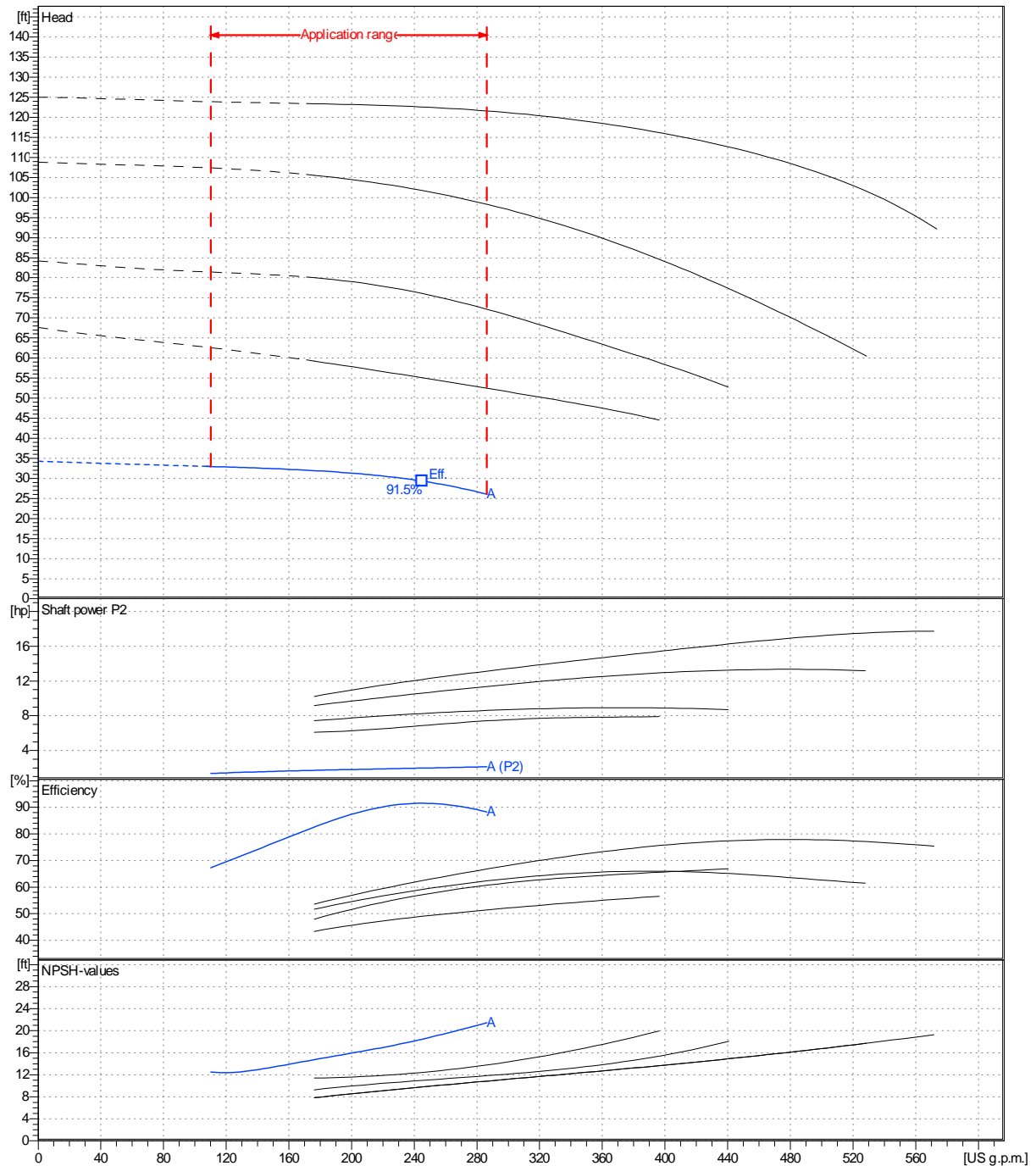
C	4 ¹⁵ / ₁₆	C	5/16
D	7 ⁵ / ₁₆	D	7/16
DN	2 ⁹ / ₁₆	DN	3/16
K	5 ¹¹ / ₁₆	K	6 ⁵ / ₁₆
n°	3/16	n°	3/16
ø n	3/4	ø n	3/4

Remarks:			
Project	Project ID	Created by	Created on
			2025-01-22
			Last update

Receiver	From
Company name	
Respons. Department	
Person in charge	
Phone number	
Fax no	
E-mail address	

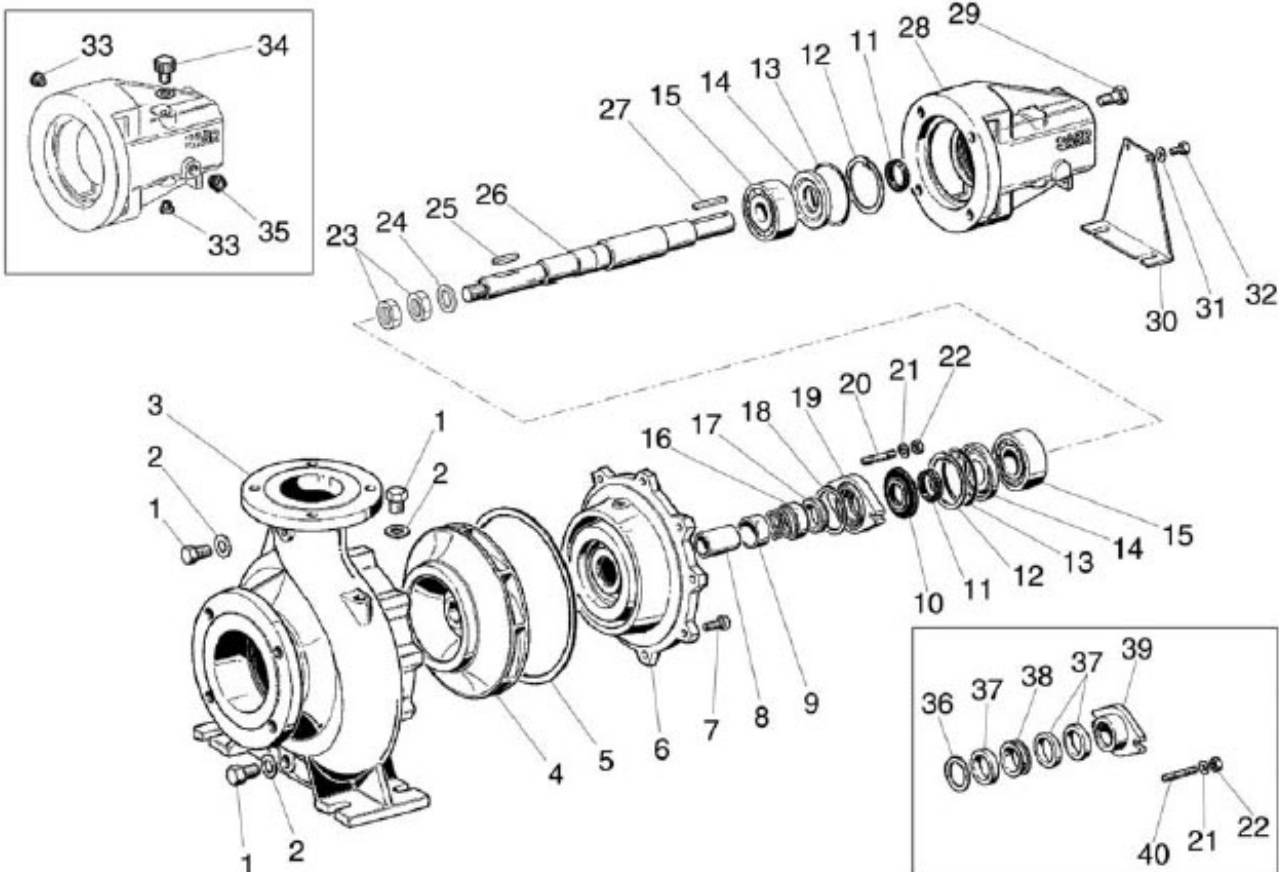
Operating area	Flow	Head	Impeller type
Operating data specification	0 US g.p.m.	0 ft	Impeller construction
Pump data	US g.p.m.	ft	Sense of rotation
			Outlet width
			DN 65
			Speed
			rpm 1800
			Frequency
			Hz

Performance data based to: Water, pure [100%]; 68°F; 62.3lb/ft³; 1.08E-5ft²/s UNI EN ISO 9906:2012 - Grade 3B



Project	Project ID	Created by	Created on	Last update
			2025-01-22	

Company name
Respons. Department
Person in charge
Phone number
Fax no
E-mail address



Project

Project ID

Created by

Created on
2025-01-22

Last update