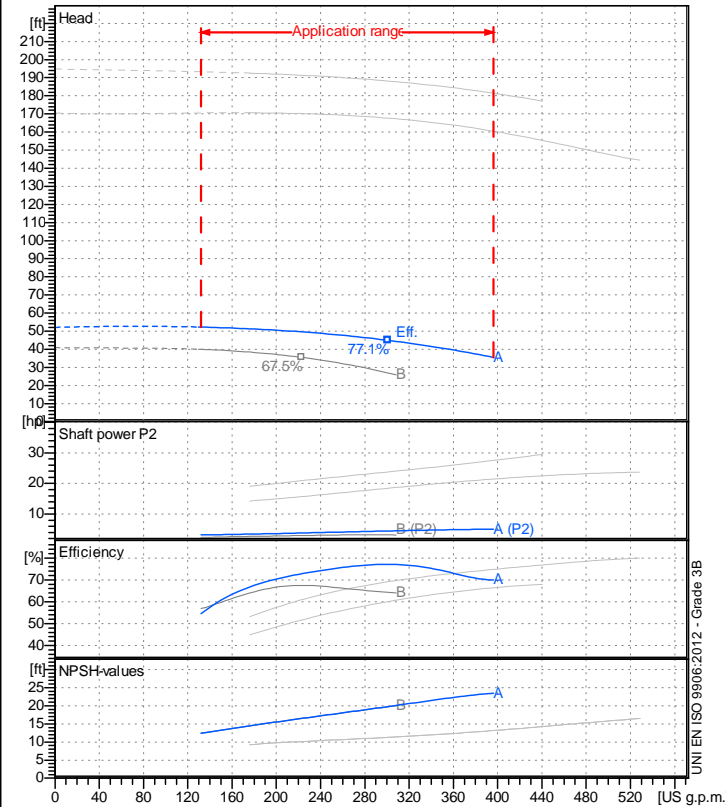


Receiver

From

 Company name  
 Respons. Department  
 Person in charge  
 Phone number  
 Fax no  
 E-mail address

**Operating data specification**

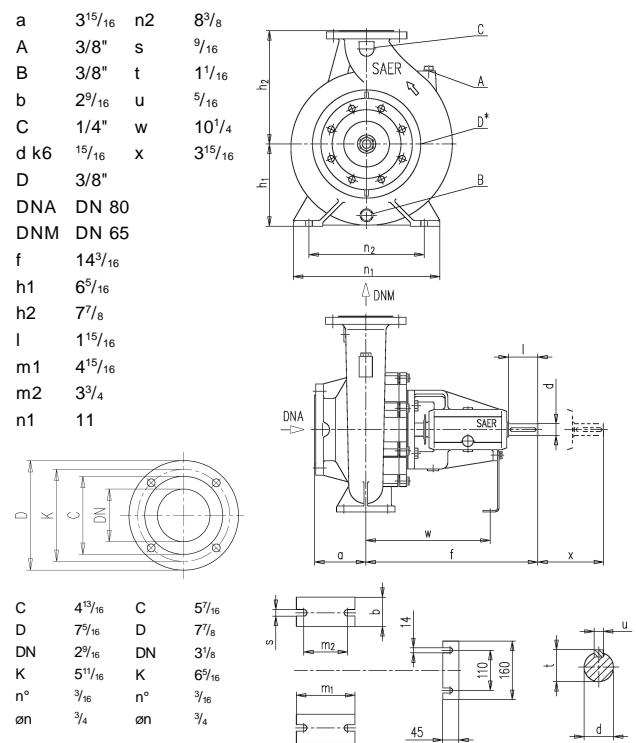
Nominal flow	US g.p.m. 0
Nominal head	ft 0
Static head	ft 0
NPSH - v value of plant	ft 0
Inlet pressure	psi 1.42
Fluid	Water, pure
Operating temperature t A	°F 68
Density at t A	lb/ft³ 62.32
Kin. viscosity at t A	ft²/s 1.082E-5

**Pump**

Pump name	NCB 65-160 A		
Size	80/65/160		
Design			
Speed rpm	1800	No of stages	1
Impeller type			
Flow	Nominal	US g.p.m.	
	Max-	US g.p.m.	396
	Min-	US g.p.m.	132
Head	Nominal	ft	
	Max-	ft	52.2
	Min-	ft	35.5
Head H(Q=0)			ft 52.1
NPSH 3%			ft
Max. working pressure			psi 22.6
Shaft power			hp
Efficiency			%
Max absorbed power			hp 5.085

**Materials Pump**

Shaft	Stainless steel AISI 431 (1.4057)		
Impeller	Cast iron EN-GJL-250		
Pump body	Cast iron EN-GJL-250		
Seal disc	Cast iron EN-GJL-250		
Gasket	Natural fiber		
Mech. seal EN 12756			
Seal face	Carbon graphite resin impreg.		
Seat	Alumina Oxide		
Rubber elements	EPDM Rubber		
Spring and metal bellows	Stainless steel AISI 316		
<b>Motor</b>	Frame size		
Manufacturer / Type			
Rated power	hp	Efficiency	4/4
Electric current	A	Speed	rpm
Electric voltage	V		Hz
Starting mode			
Degree of protection			Insulation class

**Dimensions in inch**


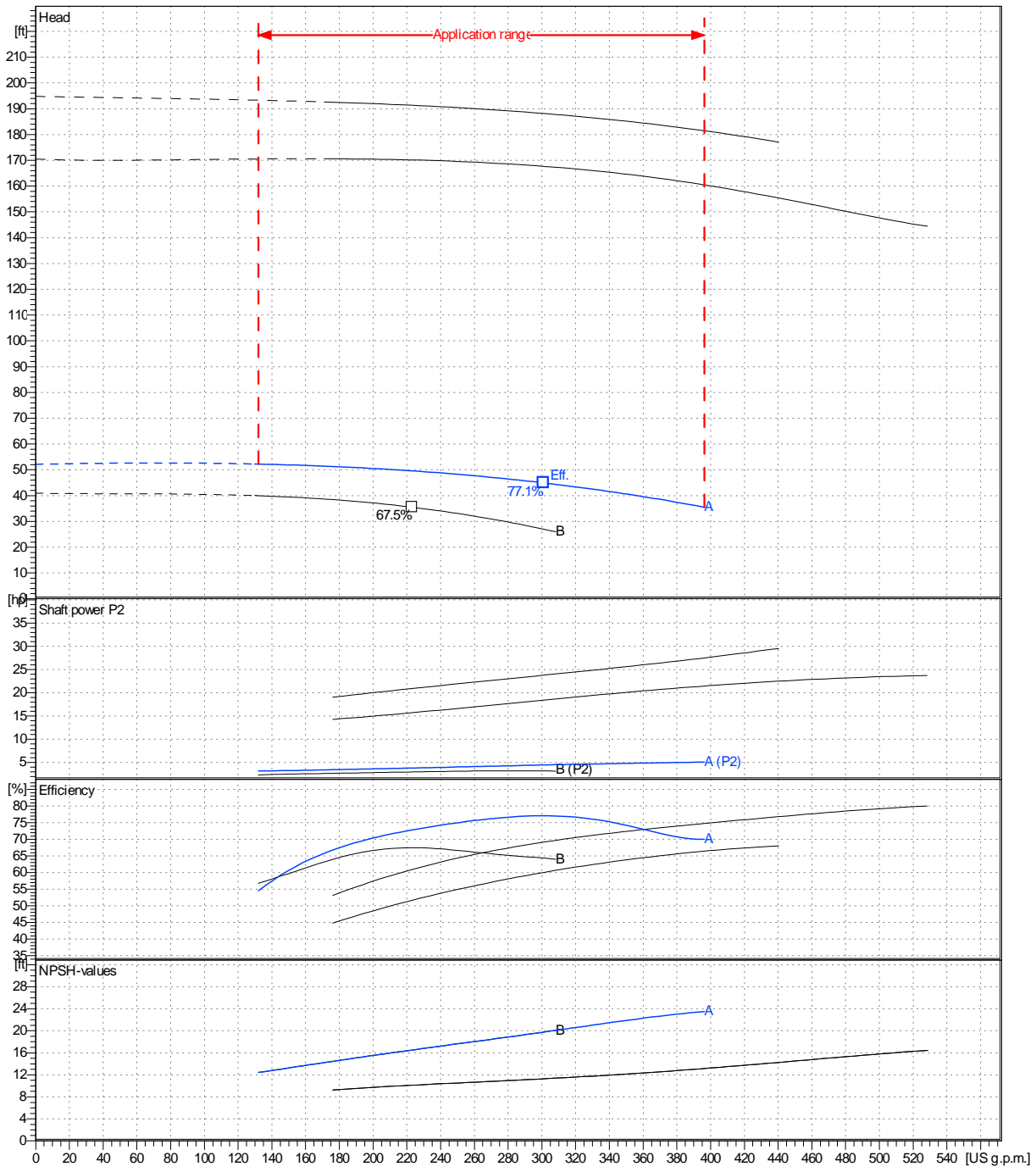
Remarks:

Project	Project ID	Created by	Created on	Last update
			2025-01-22	

Receiver		From	
Company name			
Respons. Department			
Person in charge			
Phone number			
Fax no			
E-mail address			

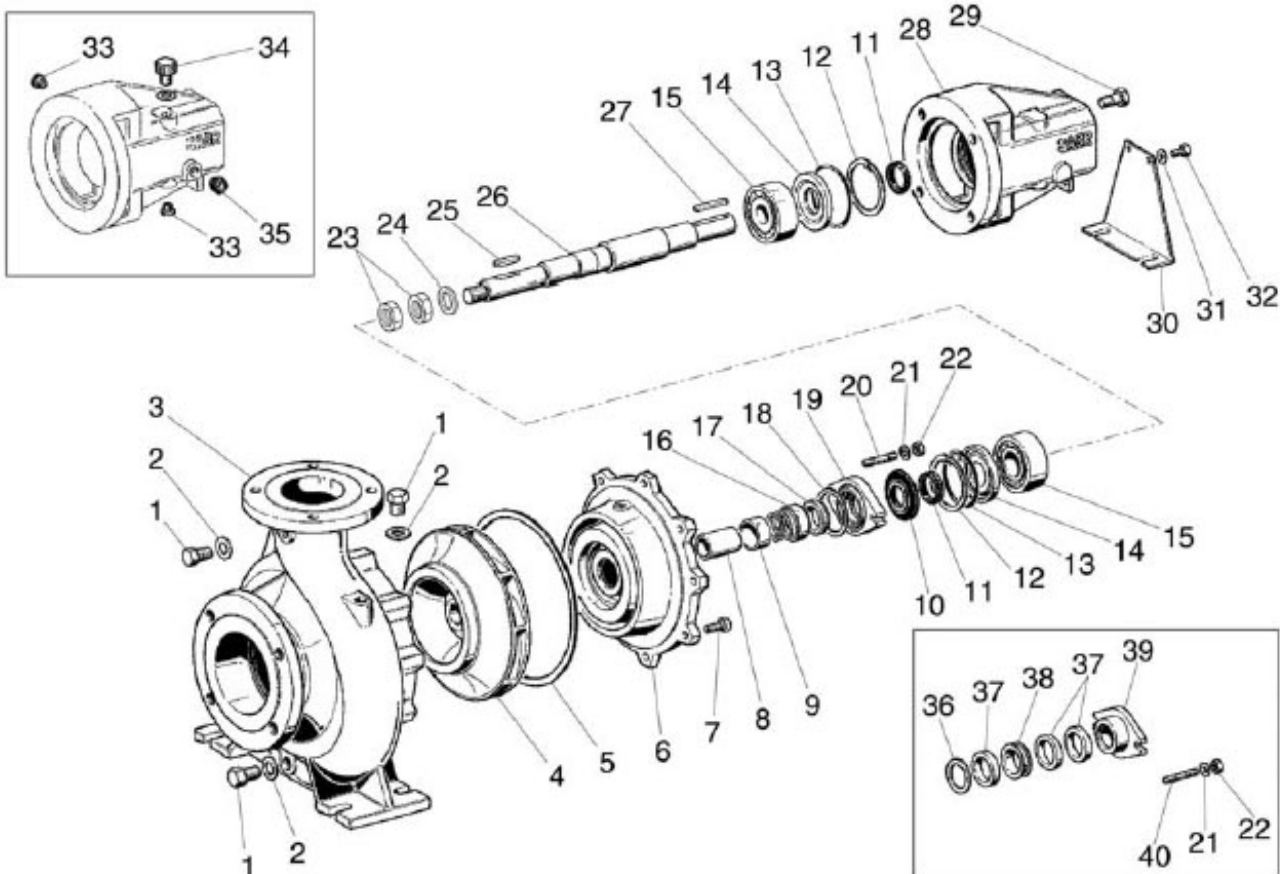
Operating area	Flow	Head	Impeller type
Operating data specification	0 US g.p.m.	0 ft	Impeller construction
Pump data	US g.p.m.	ft	Sense of rotation
			Clockwise from the drive end
			Outlet width
			DN 65
	Flow	Head	Shaft power P2
	Speed	rpm	1800
	Frequency	Hz	
	Min. Max. $\eta$ Max.	H(Q=0) $\eta$ Max.	P2(Q=0) Max. $\eta$ Max.
	US g.p.m. US g.p.m. US g.p.m.	ft ft	hp hp hp
	132 396 301	52.1 44.9	5.09 4.46

Performance data based to: Water, pure [100%]; 68°F; 62.3lb/ft<sup>3</sup>; 1.08E-5ft<sup>2</sup>/s UNI EN ISO 9906:2012 - Grade 3B



Project	Project ID	Created by	Created on	Last update
			2025-01-22	

Company name  
Respons. Department  
Person in charge  
Phone number  
Fax no  
E-mail address

Project

Project ID

Created by

Created on  
2025-01-22

Last update