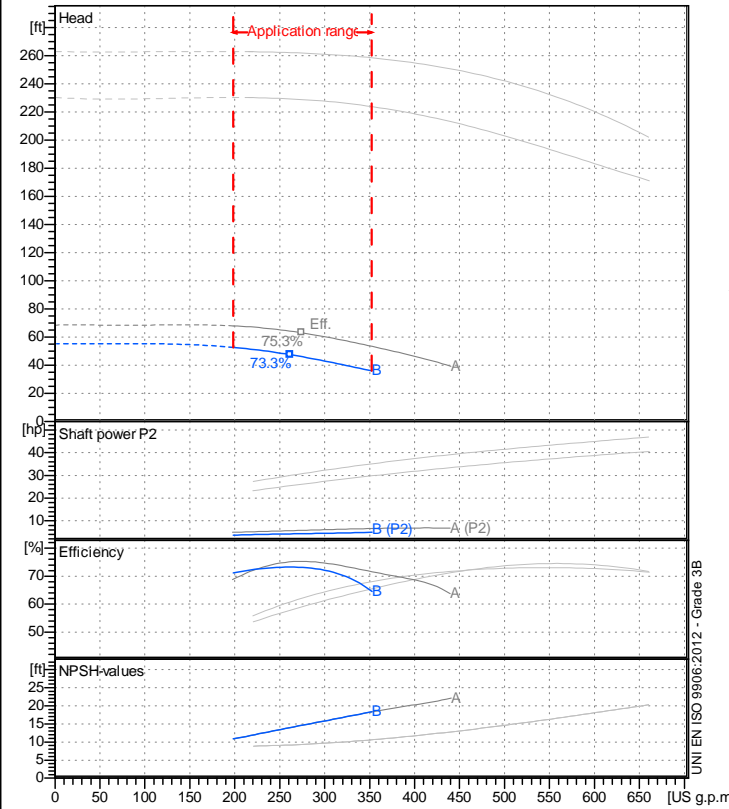


Receiver

From

 Company name
 Respons. Department
 Person in charge
 Phone number
 Fax no
 E-mail address

Operating data specification

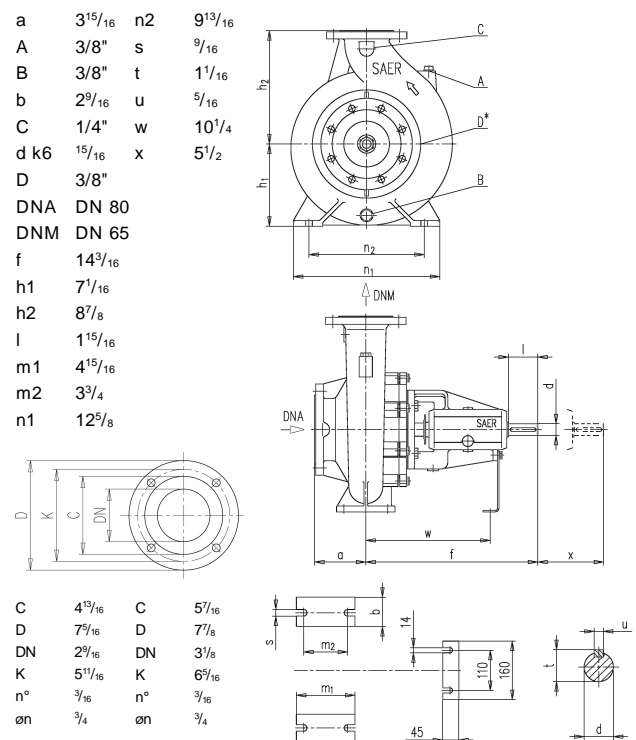
Nominal flow	US g.p.m. 0
Nominal head	ft 0
Static head	ft 0
NPSH - v value of plant	ft 0
Inlet pressure	psi 1.42
Fluid	Water, pure
Operating temperature t A	°F 68
Density at t A	lb/ft³ 62.32
Kin. viscosity at t A	ft²/s 1.082E-5

Pump

Pump name	NCB 65-200 B		
Size	80/65/200		
Design			
Speed rpm	1800	No of stages	1
Impeller type			
Flow	Nominal	US g.p.m.	
	Max-	US g.p.m.	352
	Min-	US g.p.m.	198
Head	Nominal	ft	
	Max-	ft	52.8
	Min-	ft	36.2
Head H(Q=0)	ft	55.2	
NPSH 3%	ft		
Max. working pressure	psi	23.9	
Shaft power	hp		
Efficiency	%		
Max absorbed power	hp	4.9753	

Materials Pump

Shaft	Stainless steel AISI 431 (1.4057)		
Impeller	Cast iron EN-GJL-250		
Pump body	Cast iron EN-GJL-250		
Seal disc	Cast iron EN-GJL-250		
Gasket	Natural fiber		
Mech. seal EN 12756			
Seal face	Carbon graphite resin impreg.		
Seat	Alumina Oxide		
Rubber elements	EPDM Rubber		
Spring and metal bellows	Stainless steel AISI 316		
Motor	Frame size		
Manufacturer / Type			
Rated power	hp	Efficiency	4/4
Electric current	A	Speed	rpm
Electric voltage	V		Hz
Starting mode			
Degree of protection	Insulation class		

Dimensions in inch


Remarks:

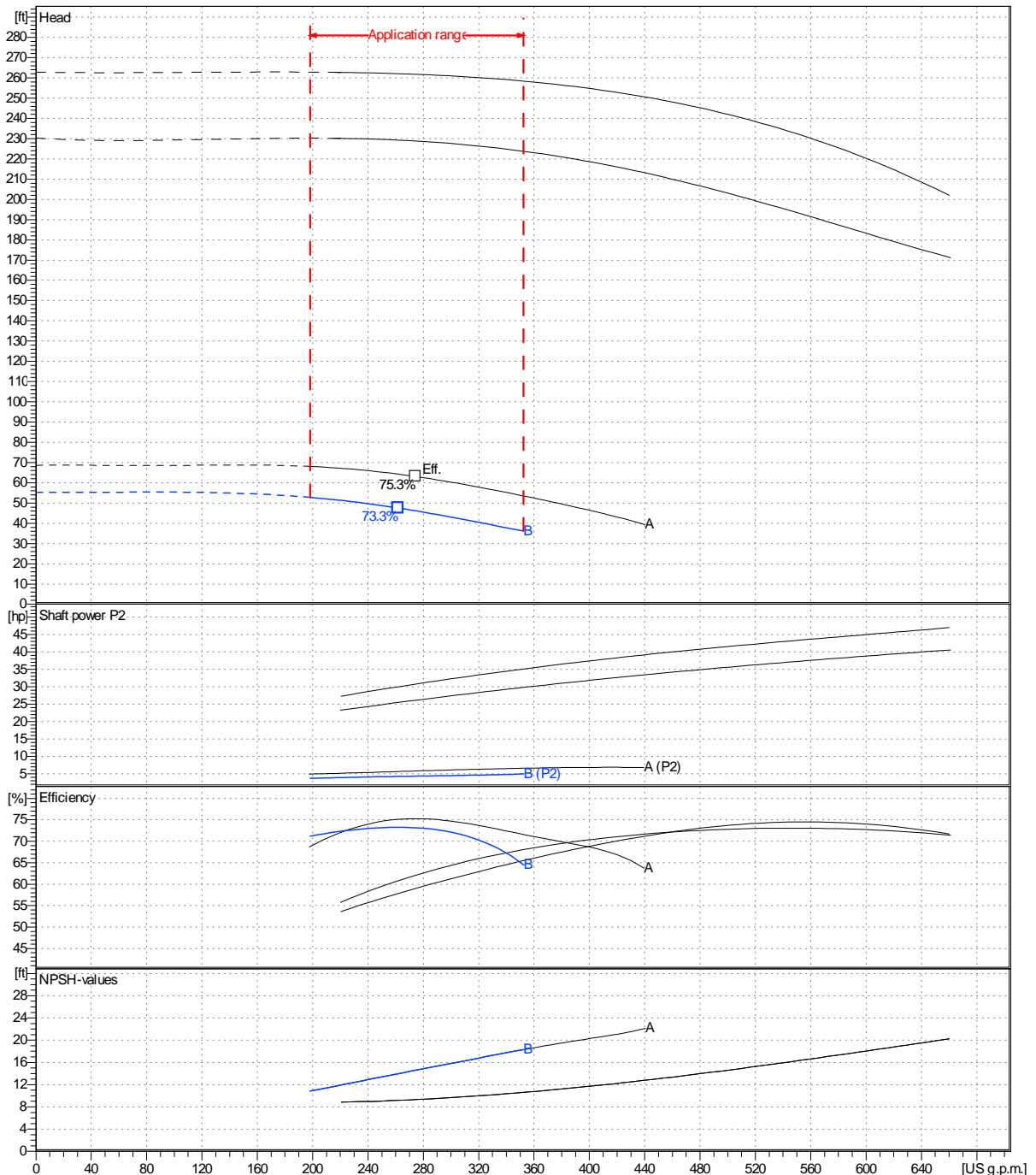
Project	Project ID	Created by	Created on	Last update
			2025-01-22	

Receiver	From
Company name	
Respons. Department	
Person in charge	
Phone number	
Fax no	
E-mail address	

Operating area	Flow	Head	Impeller type
Operating data specification	0 US g.p.m.	0 ft	Impeller construction
			Closed
			Sense of rotation
			Clockwise from the drive end
Pump data	US g.p.m.	ft	Outlet width
			DN 65
	Flow	Head	Shaft power P2
	Min. Max. η Max.	H(Q=0) η Max.	P2(Q=0) Max. η Max.
	US g.p.m. US g.p.m. US g.p.m.	ft ft	hp hp hp
	198 352 262	55.2 47.5	4.98 4.27
			Speed rpm 1800
			Frequency Hz

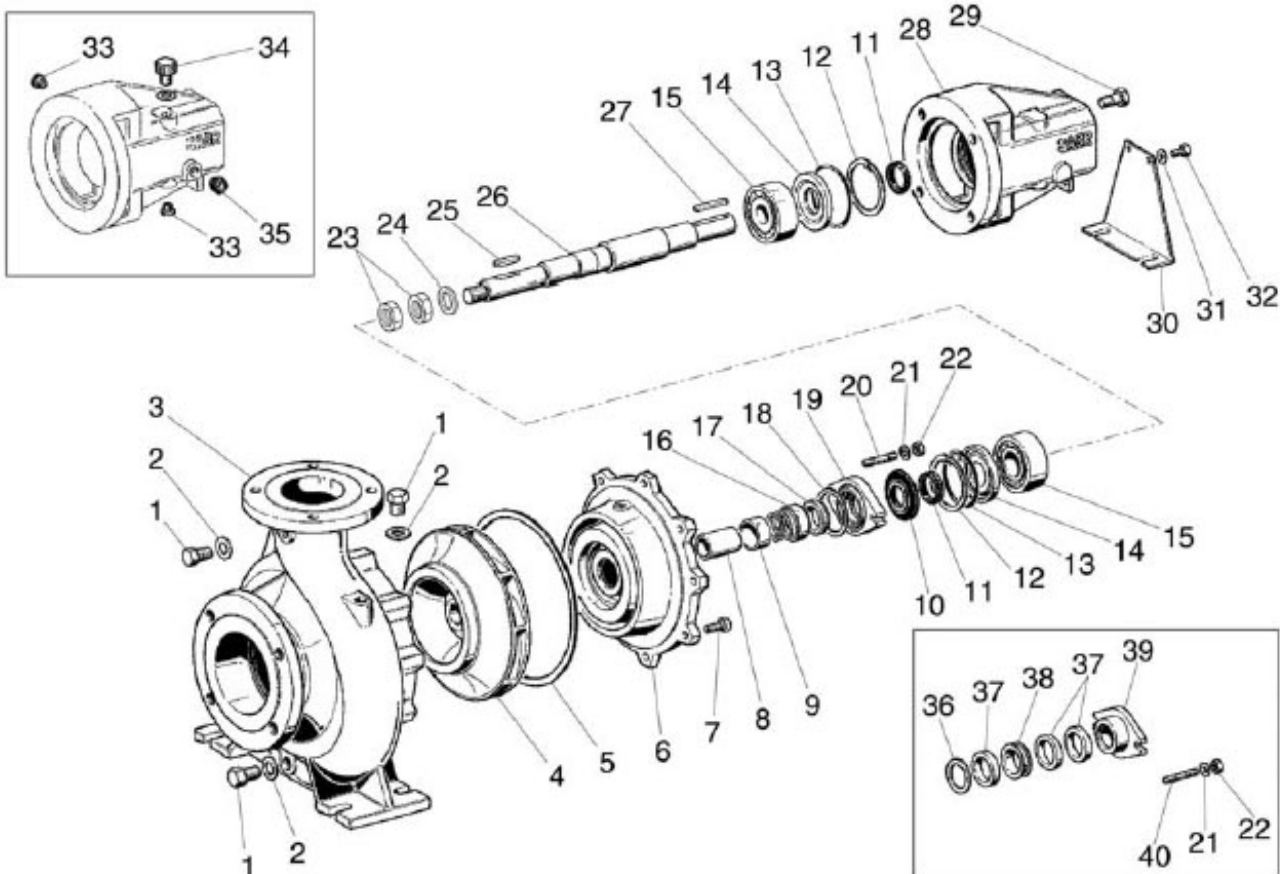
Performance data based to: Water, pure [100%]; 68°F; 62.3lb/ft³; 1.08E-5ft²/s

UNI EN ISO 9906:2012 - Grade 3B



Project	Project ID	Created by	Created on	Last update
			2025-01-22	

Company name
Respons. Department
Person in charge
Phone number
Fax no
E-mail address



Project

Project ID

Created by

Created on
2025-01-22

Last update