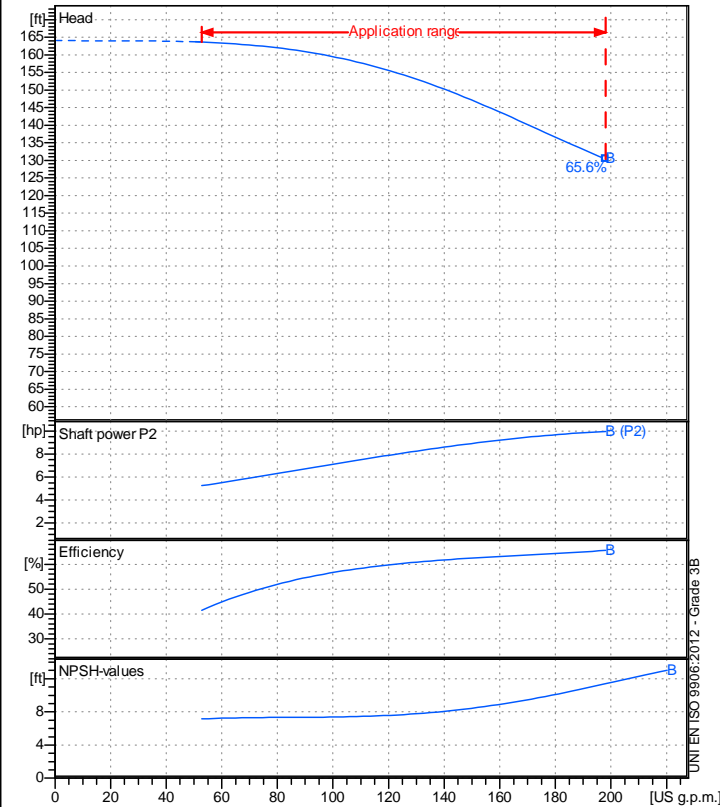


Receiver

From

 Company name  
 Respons. Department  
 Person in charge  
 Phone number  
 Fax no  
 E-mail address

**Operating data specification**

Nominal flow	US g.p.m.	0
Nominal head	ft	0
Static head	ft	0
NPSH - v alue of plant	ft	0
Inlet pressure	psi	1.42
Fluid		Water, pure
Operating temperature t A	°F	68
Density at t A	lb/ft³	62.32
Kin. viscosity at t A	ft²/s	1.082E-5

**Pump**

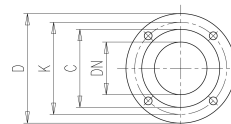
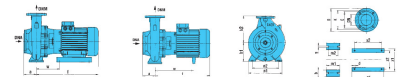
Pump name	6MG2 40-160N B		
Size	50/32/200		
Design			
Speed rpm	3600	No of stages	1
Impeller type			
Flow	Nominal	US g.p.m.	
	Max-	US g.p.m.	198
	Min-	US g.p.m.	52.8
Head	Nominal	ft	
	Max-	ft	164
	Min-	ft	130
Head H(Q=0)	ft		164
NPSH 3%	ft		
Max. working pressure	psi		71
Shaft power	hp		
Efficiency	%		
Max absorbed power	hp		9.9527

**Materials Pump**

Shaft	Stainless steel AISI 431 (1.4057)
Impeller	Cast iron EN-GJL-250
Pump body	Cast iron EN-GJL-250
Seal disc	Cast iron EN-GJL-250
Gasket	Natural fiber
Mechanical seal	BVEG (Grafito/Ossido Allumina/EPDM)

**Dimensions in inch**

a	3 <sup>1</sup> / <sub>8</sub>	z1	10 <sup>1</sup> / <sub>4</sub>
b	1 <sup>5</sup> / <sub>16</sub>	z2	8 <sup>1</sup> / <sub>2</sub>
d	14*4		
DNA	2 <sup>9</sup> / <sub>16</sub>		
DNM	1 <sup>9</sup> / <sub>16</sub>		
h1	5 <sup>3</sup> / <sub>16</sub>		
h2	6 <sup>5</sup> / <sub>16</sub>		
l	29 <sup>1</sup> / <sub>8</sub>		
m1	3 <sup>15</sup> / <sub>16</sub>		
m2	2 <sup>3</sup> / <sub>4</sub>		
n1	9 <sup>7</sup> / <sub>16</sub>		
n2	7 <sup>1</sup> / <sub>2</sub>		
s	9 <sup>1</sup> / <sub>16</sub>		
w	11 <sup>1</sup> / <sub>16</sub>		
x1	12 <sup>5</sup> / <sub>8</sub>		
x2	11		



C	3 <sup>7</sup> / <sub>16</sub>	C	4 <sup>13</sup> / <sub>16</sub>
D	5 <sup>7</sup> / <sub>8</sub>	D	7 <sup>5</sup> / <sub>16</sub>
DN	1 <sup>9</sup> / <sub>16</sub>	DN	2 <sup>9</sup> / <sub>16</sub>
K	4 <sup>5</sup> / <sub>16</sub>	K	5 <sup>11</sup> / <sub>16</sub>
n°	3 <sup>1</sup> / <sub>16</sub>	n°	3 <sup>1</sup> / <sub>16</sub>
ø n	3 <sup>1</sup> / <sub>4</sub>	ø n	3 <sup>1</sup> / <sub>4</sub>

<b>Motor</b>	Frame size	132 S		
Manufacturer / Type	SAER	MEC132S-2P-7,5		
Rated power	hp	10.058	Efficiency 4/4	87.5 %
Electric current	A	10.7	Speed rpm	3600
Electric voltage	V	460 V	3~	Hz 60
Starting mode	Unknown			
Degree of protection	IP 55	Insulation class	F	

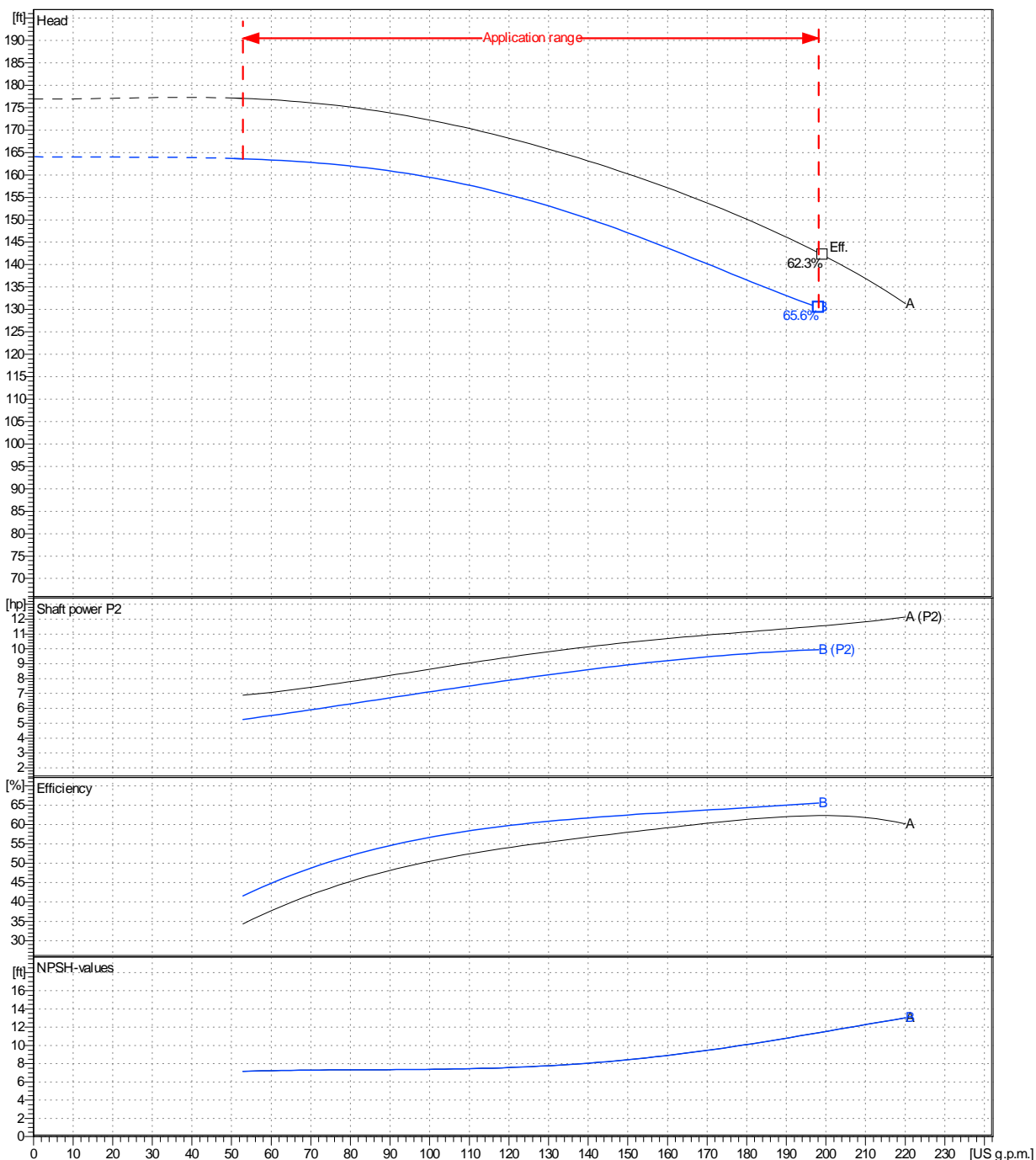
Remarks:

Project	Project ID	Created by	Created on	Last update
			2022-09-16	

Receiver	From
Company name Respons. Department Person in charge Phone number Fax no E-mail address	

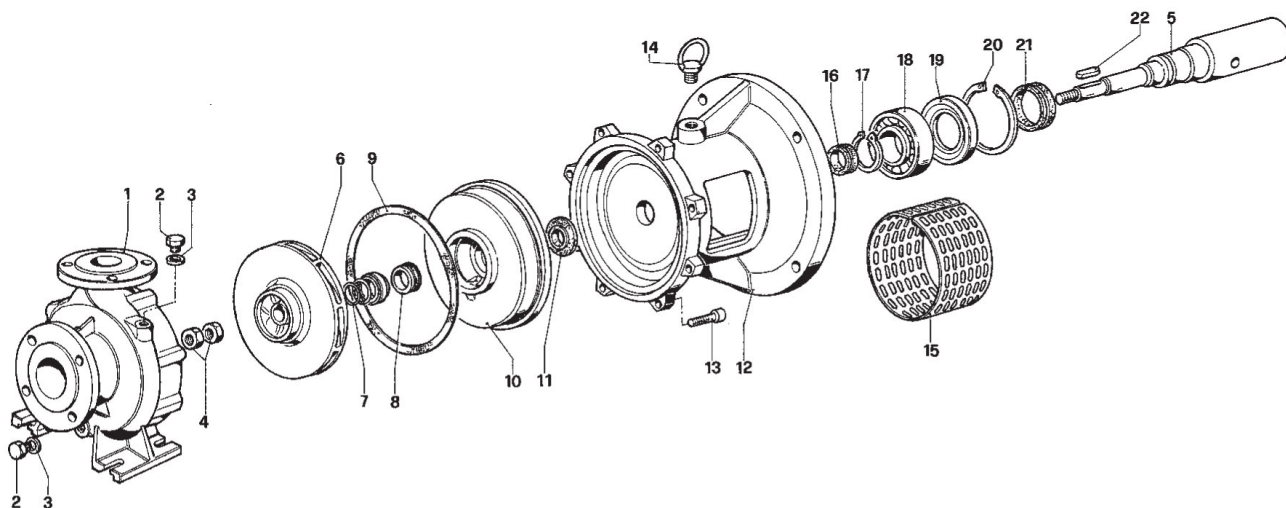
Operating area	Flow	Head	Impeller type
Operating data specification	0 US g.p.m.	0 ft	Impeller construction: Closed
Pump data	US g.p.m.	ft	Sense of rotation: Clockwise from the drive end
			Outlet width: DN 40
	Flow	Head	Shaft power P2
	Min. Max. $\eta$ Max.	H(Q=0) $\eta$ Max.	P2(Q=0) Max. $\eta$ Max.
	US g.p.m. US g.p.m. US g.p.m.	ft ft	hp hp hp
	52.8 198 198	164 130	9.95 9.95
			Speed rpm: 3600
			Frequency Hz: 60 Hz

Performance data based to: Water, pure [100%]; 68°F; 62.3lb/ft<sup>3</sup>; 1.08E-5ft<sup>2</sup>/s UNI EN ISO 9906:2012 - Grade 3B



Project	Project ID	Created by	Created on	Last update
			2022-09-16	

Company name  
Respons. Department  
Person in charge  
Phone number  
Fax no  
E-mail address

Project

Project ID

Created by

Created on  
**2022-09-16**

Last update