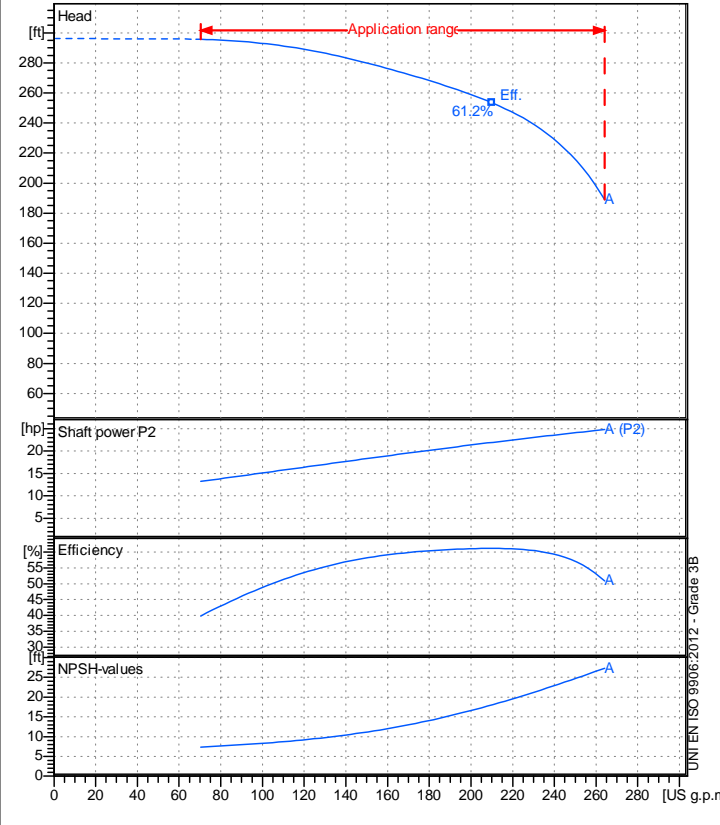


Company name
 Respons. Department
 Person in charge
 Phone number
 Fax no
 E-mail address

Receiver	From



Operating data specification

Nominal flow	US g.p.m. 0
Nominal head	ft 0
Static head	ft 0
NPSH - v value of plant	ft 0
Inlet pressure	psi 1.42
Fluid	Water, pure
Operating temperature t A	°F 68
Density at t A	lb/ft³ 62.32
Kin. viscosity at t A	ft²/s 1.082E-5

Pump

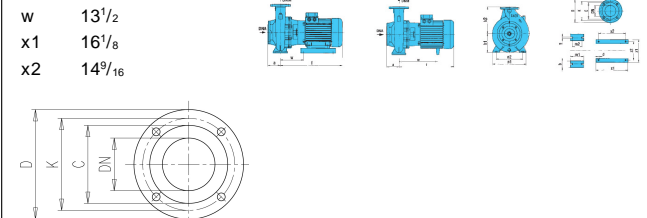
Pump name		6MG2 40-200N A	
Size		50/32/200	
Design			
Speed	rpm 3600	No of stages	1
Impeller type			
Flow	Nominal	US g.p.m.	
	Max-	US g.p.m.	264
	Min-	US g.p.m.	70.4
Head	Nominal	ft	
	Max-	ft	296
	Min-	ft	189
Head H(Q=0)		ft 296	
NPSH 3%		ft	
Max. working pressure		psi 128	
Shaft power		hp	
Efficiency		%	
Max absorbed power		hp 24.774	

Materials Pump

Shaft	Stainless steel AISI 431 (1.4057)
Impeller	Cast iron EN-GJL-250
Pump body	Cast iron EN-GJL-250
Seal disc	Cast iron EN-GJL-250
Gasket	Natural fiber
Mechanical seal	BVEG (Grafito/Ossido Allumina/EPDM)

Dimensions in inch

a	3 ¹⁵ / ₁₆	z1	12 ⁹ / ₁₆
b	1 ¹⁵ / ₁₆	z2	10
d	14*4		
DNA	2 ⁹ / ₁₆		
DNM	1 ⁹ / ₁₆		
h1	6 ⁵ / ₁₆		
h2	7 ⁷ / ₈		
l	37 ⁵ / ₈		
m1	3 ¹⁵ / ₁₆		
m2	2 ³ / ₄		
n1	10 ⁷ / ₁₆		
n2	8 ³ / ₈		
s	9 ⁹ / ₁₆		
w	13 ¹ / ₂		
x1	16 ¹ / ₈		
x2	14 ⁹ / ₁₆		



C	3 ⁷ / ₁₆	C	4 ¹³ / ₁₆
D	5 ⁷ / ₈	D	7 ⁷ / ₁₆
DN	1 ⁹ / ₁₆	DN	2 ⁹ / ₁₆
K	4 ⁵ / ₁₆	K	5 ¹¹ / ₁₆
n°	3 ⁷ / ₁₆	n°	3 ⁷ / ₁₆
øn	3 ⁷ / ₁₆	øn	3 ⁷ / ₁₆

Motor

Frame size	160 L		
Manufacturer / Type	SAER MEC160L-2P-18,5		
Rated power	hp 24.809	Efficiency 4/4	89.5 %
Electric current	A 30	Speed	rpm 3600
Electric voltage	V 460 V	3~	Hz 60
Starting mode	Unknown		
Degree of protection	IP 55	Insulation class	F

Remarks:

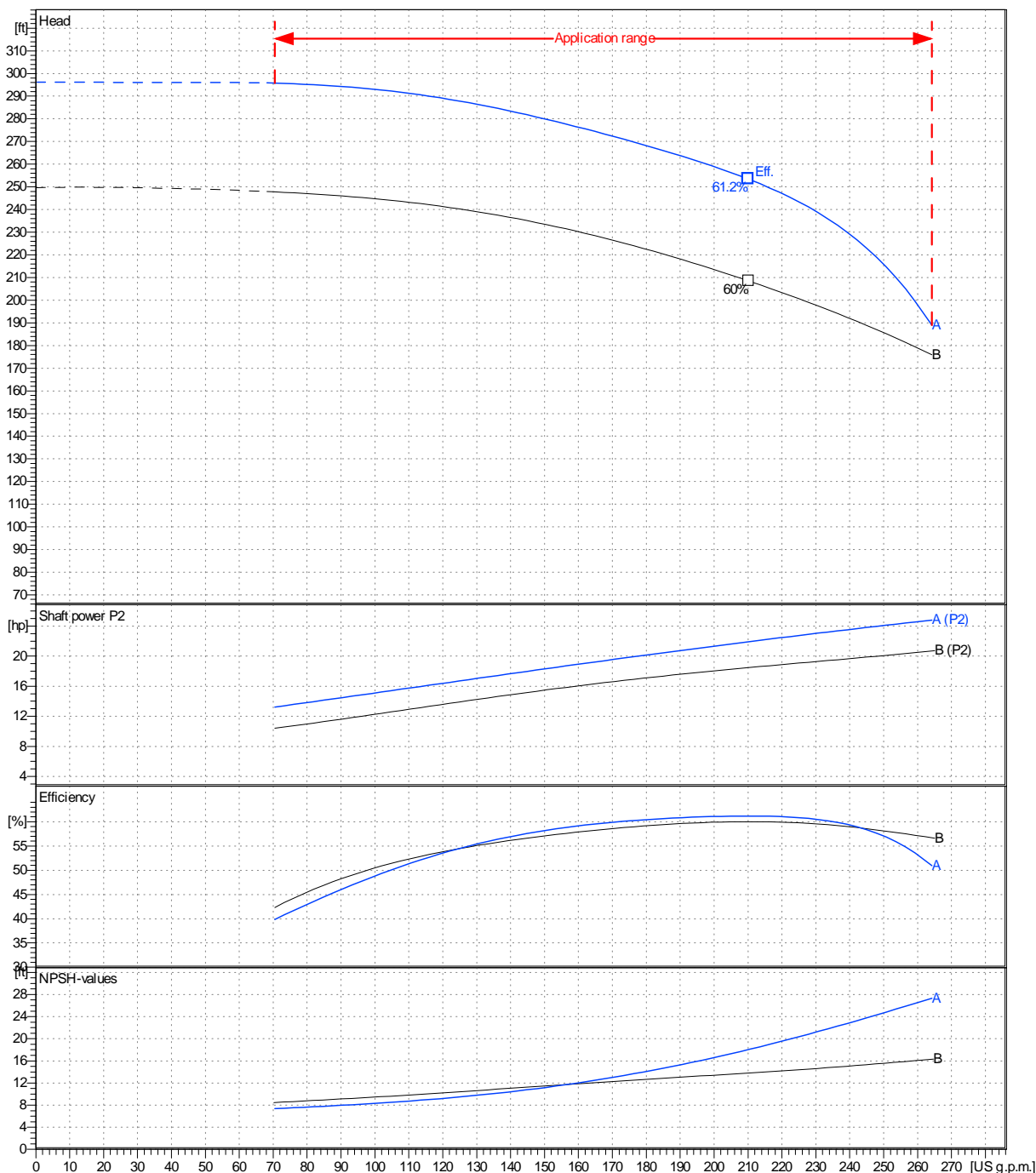
Project	Project ID	Created by	Created on	Last update
			2022-09-19	

	Receiver	From
Company name		
Respons. Department		
Person in charge		
Phone number		
Fax no		
E-mail address		

Operating area	Flow	Head	Impeller type
Operating data specification	0 US g.p.m.	0 ft	Impeller construction Closed
Pump data	US g.p.m.	ft	Sense of rotation Clockwise from the drive end
			Outlet width DN 40
	Flow	Head	Shaft power P2
	Min. Max. η Max.	H(Q=0) η Max.	P2(Q=0) Max. η Max.
	US g.p.m. US g.p.m. US g.p.m.	ft ft	hp hp hp
	70.4 264 210	296 253	24.8 21.9
			Speed rpm 3600
			Frequency Hz 60 Hz

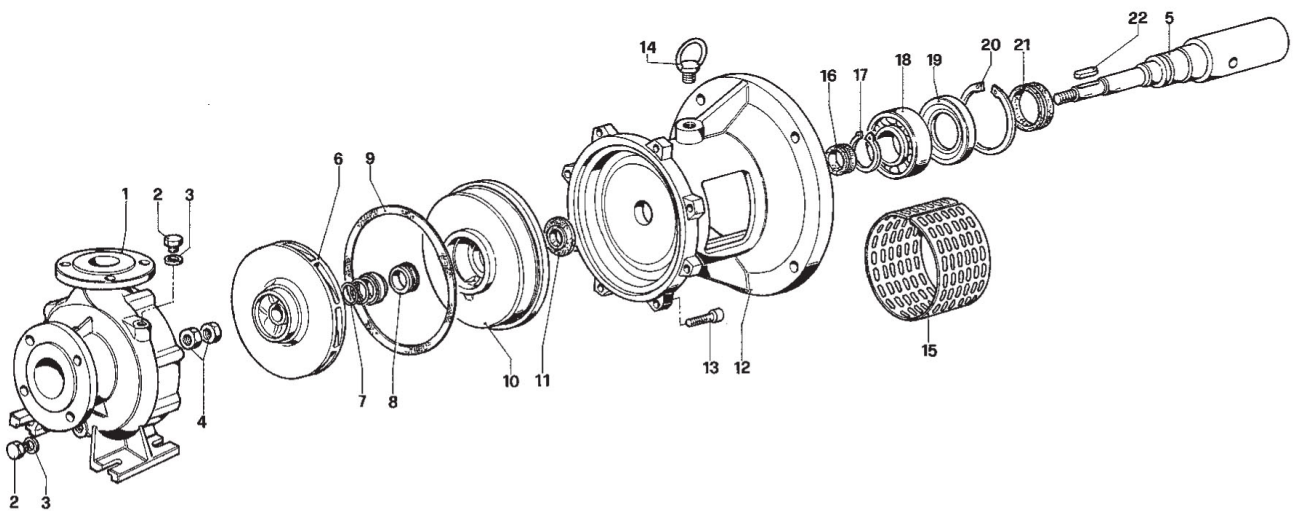
Performance data based to: Water, pure [100%]; 68°F; 62.3lb/ft³; 1.08E-5ft²/s

UNI EN ISO 9906:2012 - Grade 3B



Project	Project ID	Created by	Created on 2022-09-19	Last update
---------	------------	------------	---------------------------------	-------------

Company name
Respons. Department
Person in charge
Phone number
Fax no
E-mail address



Project	Project ID	Created by	Created on 2022-09-19	Last update
---------	------------	------------	---------------------------------	-------------