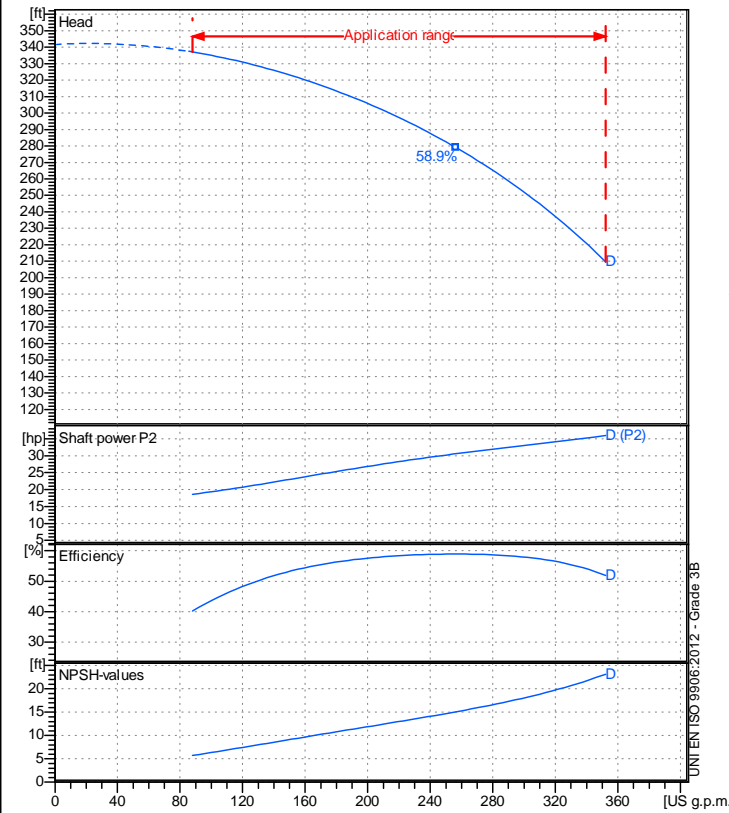


Receiver

From

 Company name
 Respons. Department
 Person in charge
 Phone number
 Fax no
 E-mail address

Operating data specification

Nominal flow	US g.p.m.	0
Nominal head	ft	0
Static head	ft	0
NPSH - v value of plant	ft	0
Inlet pressure	psi	1.42
Fluid	Water, pure	
Operating temperature t A	°F	68
Density at t A	lb/ft³	62.32
Kin. viscosity at t A	ft²/s	1.082E-5

Pump

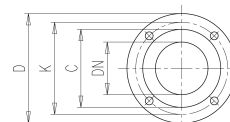
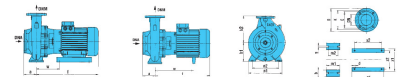
Pump name	6MG2 40-250N D		
Size	50/32/200		
Design			
Speed rpm	3600	No of stages	1
Impeller type			
Flow	Nominal	US g.p.m.	
	Max-	US g.p.m.	352
	Min-	US g.p.m.	88.1
Head	Nominal	ft	
	Max-	ft	337
	Min-	ft	210
Head H(Q=0)	ft	342	
NPSH 3%	ft		
Max. working pressure	psi	148	
Shaft power	hp		
Efficiency	%		
Max absorbed power	hp	35.954	

Materials Pump

Shaft	Stainless steel AISI 431 (1.4057)		
Impeller	Cast iron EN-GJL-250		
Pump body	Cast iron EN-GJL-250		
Seal disc	Cast iron EN-GJL-250		
Gasket	Natural fiber		
Mechanical seal	BVEG (Grafito/Ossido Allumina/EPDM)		

Dimensions in inch

a	3 ¹⁵ / ₁₆	z1	15 ⁹ / ₁₆
b	2 ⁹ / ₁₆	z2	12 ¹ / ₂
d	18*4		
DNA	2 ⁹ / ₁₆		
DNM	1 ⁹ / ₁₆		
h1	7 ¹ / ₁₆		
h2	8 ⁷ / ₈		
l	39 ¹⁵ / ₁₆		
m1	4 ¹⁵ / ₁₆		
m2	3 ³ / ₄		
n1	12 ⁵ / ₈		
n2	9 ¹³ / ₁₆		
s	9 ⁹ / ₁₆		
w	17 ¹¹ / ₁₆		
x1	14 ³ / ₈		
x2	12		



C	3 ⁷ / ₁₆	C	4 ¹³ / ₁₆
D	5 ⁷ / ₈	D	7 ⁵ / ₁₆
DN	1 ⁹ / ₁₆	DN	2 ⁹ / ₁₆
K	4 ⁵ / ₁₆	K	5 ¹¹ / ₁₆
n°	3 ⁹ / ₁₆	n°	3 ⁷ / ₁₆
Øn	3 ³ / ₄	Øn	3 ³ / ₄

Motor	Frame size	200 L		
Manufacturer / Type	SAER	MEC200L-2P-30		
Rated power	hp	40.231	Efficiency 4/4	90.2 %
Electric current	A	50	Speed rpm	3600
Electric voltage	V	460 V	3~	Hz 60
Starting mode	Unknown			
Degree of protection	IP 55	Insulation class	F	

Remarks:

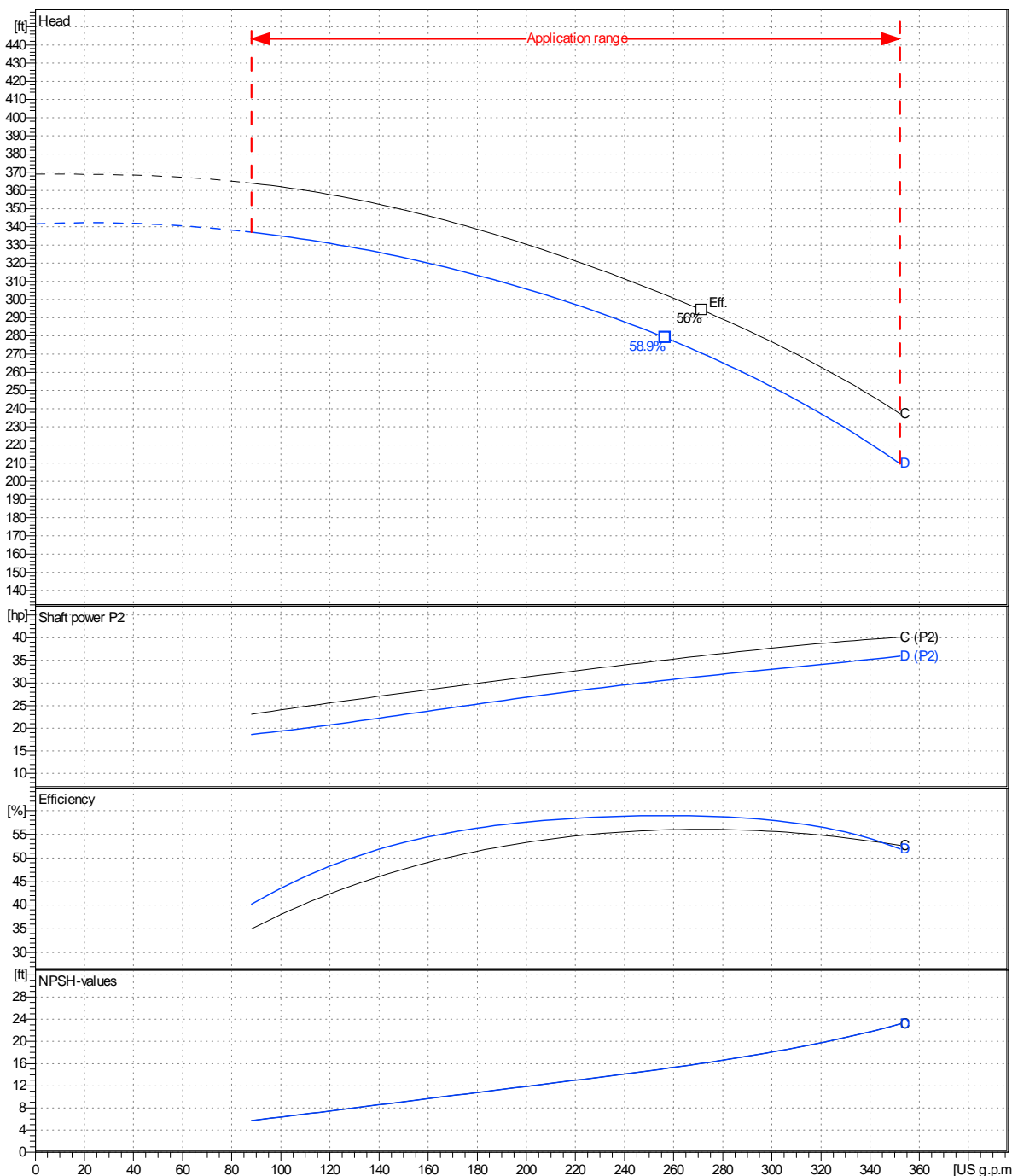
Project	Project ID	Created by	Created on	Last update
			2022-09-19	

	Receiver	From
Company name		
Respons. Department		
Person in charge		
Phone number		
Fax no		
E-mail address		

Operating area	Flow	Head	Impeller type
Operating data specification	0 US g.p.m.	0 ft	Impeller construction Closed
Pump data	US g.p.m.	ft	Sense of rotation Clockwise from the drive end
			Outlet width DN 40
	Flow	Head	Speed
	Min. Max. η Max.	H(Q=0) η Max.	rpm 3600
	US g.p.m. US g.p.m. US g.p.m.	ft ft	Frequency Hz 60 Hz
	88.1 352 257	342 279	
		Shaft power P2	
		P2(Q=0) Max. η Max.	
		hp hp hp	
		36 30.6	

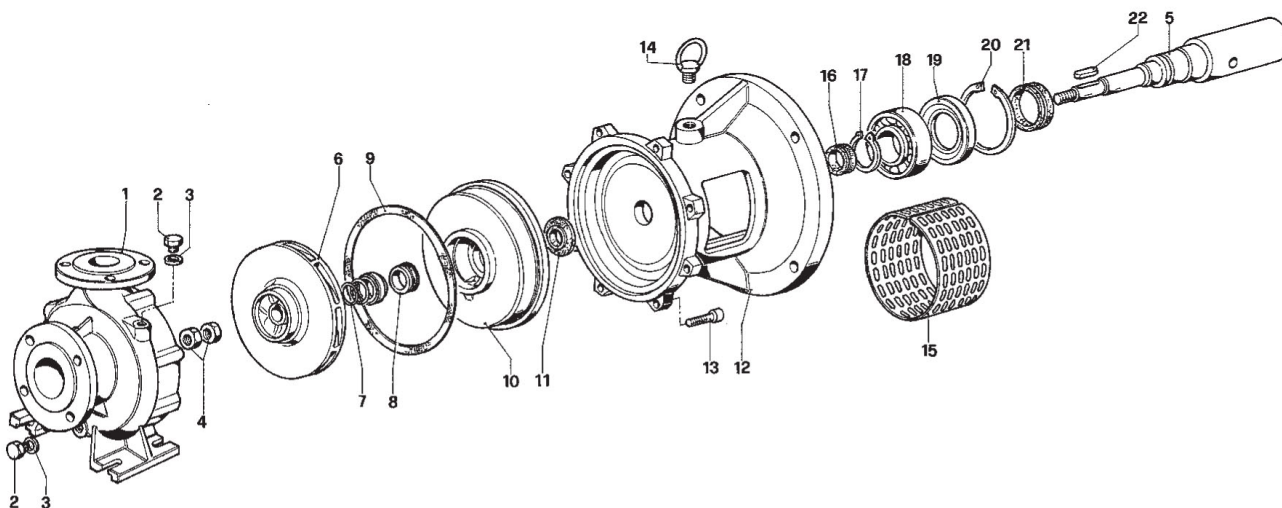
Performance data based to: Water, pure [100%]; 68°F; 62.3lb/ft³; 1.08E-5ft²/s

UNI EN ISO 9906:2012 - Grade 3B



Project	Project ID	Created by	Created on 2022-09-19	Last update
---------	------------	------------	---------------------------------	-------------

Company name
Respons. Department
Person in charge
Phone number
Fax no
E-mail address



Project

Project ID

Created by

Created on
2022-09-19

Last update